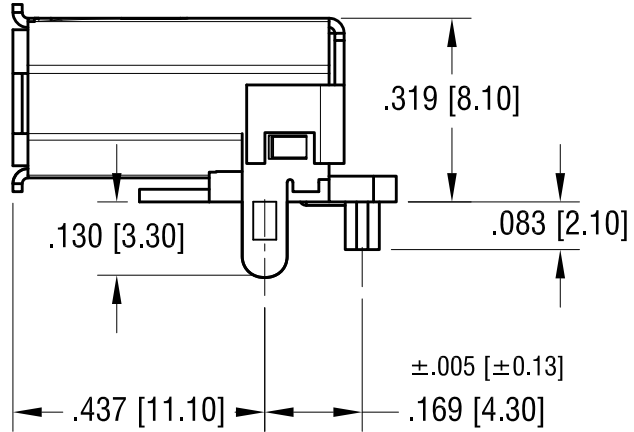
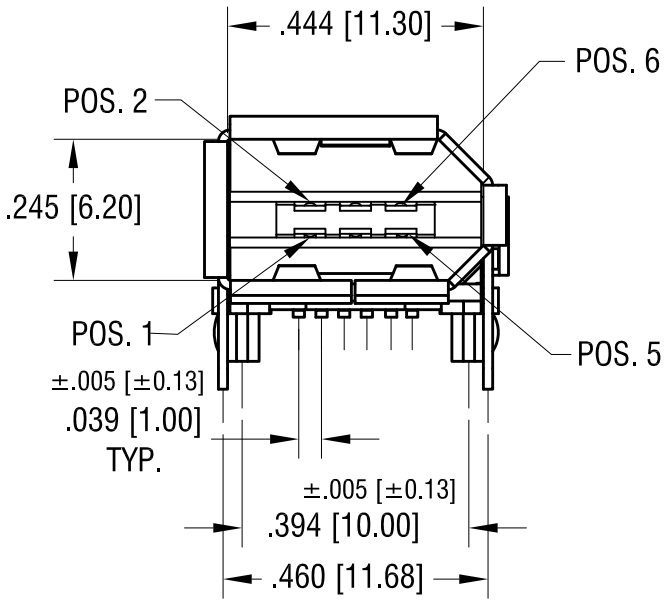
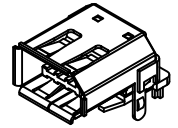
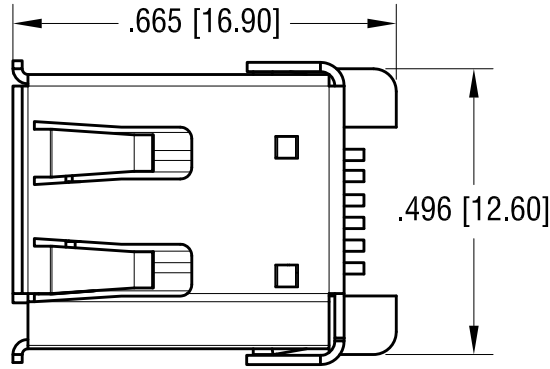
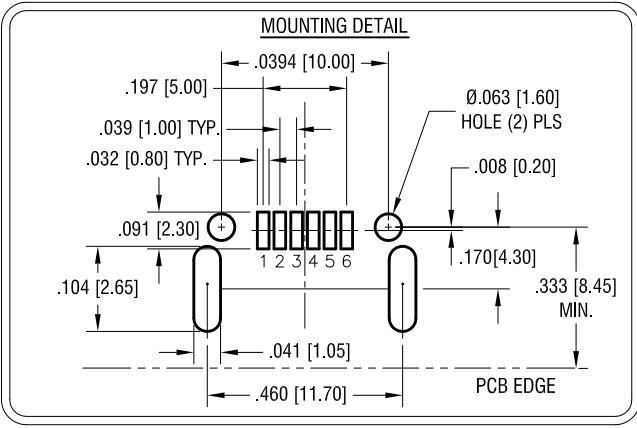


THIS DOCUMENT IS THE PROPERTY OF KEYSTONE ELECTRONICS CORP. AND SHALL NOT BE REPRODUCED, DISTRIBUTED OR USED AS A BASIS FOR MANUFACTURE WITHOUT PRIOR WRITTEN PERMISSION FROM KEYSTONE ELECTRONICS CORP.

ACTUAL SIZE



Notes:

- 1. Shell: Mat'l: Steel, Nickel Plated
Finish: Tin Plate over
- 2. Insulator: Mat'l: LCP, UL 94V-0
- 3. Contacts: Mat'l: Phosphor Bronze
Finish: Gold Plate over Nickel Plate on Contact Area.
Tin Plate over Nickel Plate on Solder Tail.
- 4. Electrical Specifications
Rated current : 1.5 A
Insulation Resistance:
500 Megohms Min. at 500 V/DC for 1 minute
Withstanding voltage: 500 VAC/ minute
Contact Resistance: 50 mΩ max.

| | | |
|---------|--------------------------|------|
| 3.15.18 | CHANGE AS PER ECN 18-015 | C |
| 6.7.05 | CHANGE AS PER ECN 05-030 | B |
| 7.26.99 | CHANGE AS PER ECN 99-053 | A |
| DATE | DESCRIPTION | REV. |

| | | | |
|--|-----------------|--------|------------|
| KEYSTONE ELECTRONICS CORP. | | | |
| www.keyelco.com • NEW HYDE PARK, NY 11040 • Tel (516) 328-7500 | | | |
| PART NAME | | | |
| IEEE 1394 'FIREWIRE' SM HORIZONTAL SOCKET | | | |
| MATERIAL | | | |
| AS NOTED | | | |
| FINISH | | DRN BY | DATE |
| AS NOTED | | BOONE | 5.22.98 |
| | | APP'D | SCALE |
| | | LN | 3X |
| TOLERANCES | INCH [MM] | CODE | DWG NO. |
| DECIMAL | ± .010 [± 0.25] | C | 927 |
| ANGULAR | ± 1° | | |
| UNLESS OTHERWISE SPECIFIED | | | |