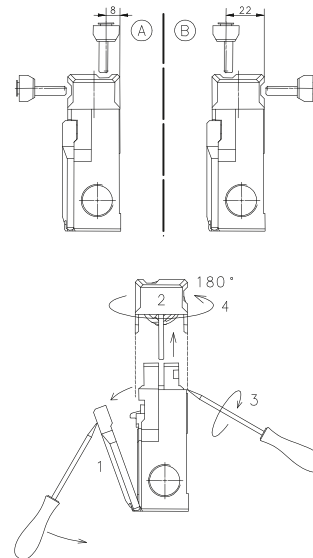
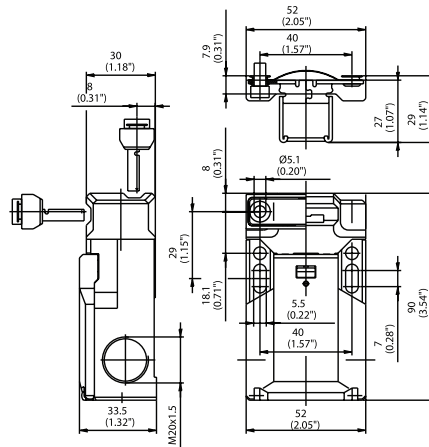


**SKC Series**

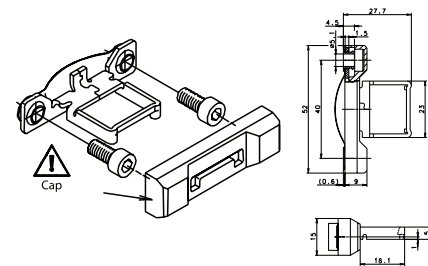
**SKC**



Switching Operation	Slow Action	High Activation Force	Radius Activation
<b>1 NC / 1 NO Contacts</b>	<b>601.6119.016</b> SK-U1Z M 	<b>611.6119.109</b> SK-U1Z F30 M 	<b>601.6119.084</b> SK-U1Z MRU 
<b>1 NC Contacts</b>	-	-	-
<b>2 NC Contacts</b>	<b>601.6169.036</b> SK-A2Z M 	<b>601.6169.053</b> SK-A2Z F30 M 	<b>601.6169.085</b> SK-A2Z MRU 
<b>2 NC / 1 NO Contacts Overlapping</b>	<b>601.6169.026</b> SK-UV15Z M 	<b>601.6169.061</b> SK-UV15Z F30 M 	<b>601.6169.086</b> SK-UV15Z MRU 

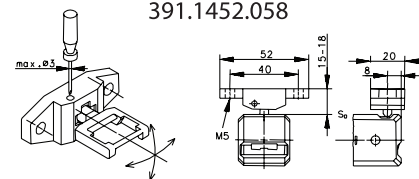
**Replacement actuator keys:**

**M4 ACTUATOR KEY**  
391.1452.161



6" Minimum Bend Radius

**MRU ACTUATOR KEY**  
391.1452.058



2" Minimum Bend Radius

**Technical Information**

	Slow Action	High Activation Force	Radius Activation
Maximum Switching Voltage	240V	240V	240V
Max. Switching Amps (up to)*	10A	10A	10A
B10d (up to)*	20 Million	20 Million	20 Million
Mechanical Service Life (up to)*	10 x 10 <sup>6</sup>	10 x 10 <sup>5</sup>	10 x 10 <sup>6</sup>
Switching Frequency	≤ 30/min	≤ 30/min	≤ 30/min
Operating Temperature	-30 °C to +80 °C	-30 °C to +80 °C	-30 °C to +80 °C
Protection Rating	IP65	IP65	IP65
Utilization Category (up to)*	AC-15, Ue/Ue 240V 3A	AC-15, Ue/Ue 240V 3A	AC-15, Ue/Ue 240V 3A
Rate Insulation Voltage	250VAC	250VAC	250VAC

Approvals

\* Depending on switching system - see technical information for details



**Special features/variants** (on request)

- 100 N actuating force on request

Drawing dimensions in mm