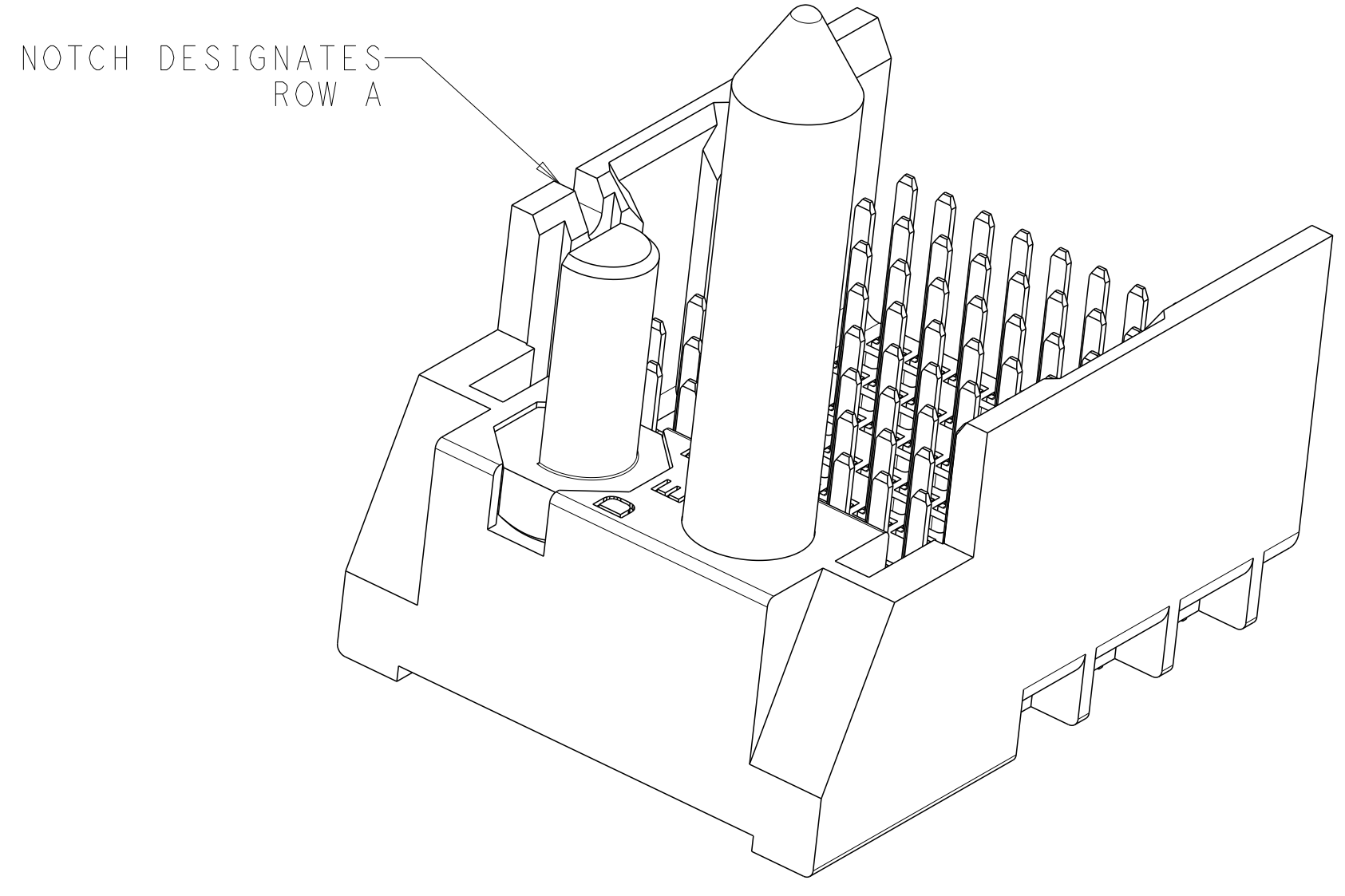
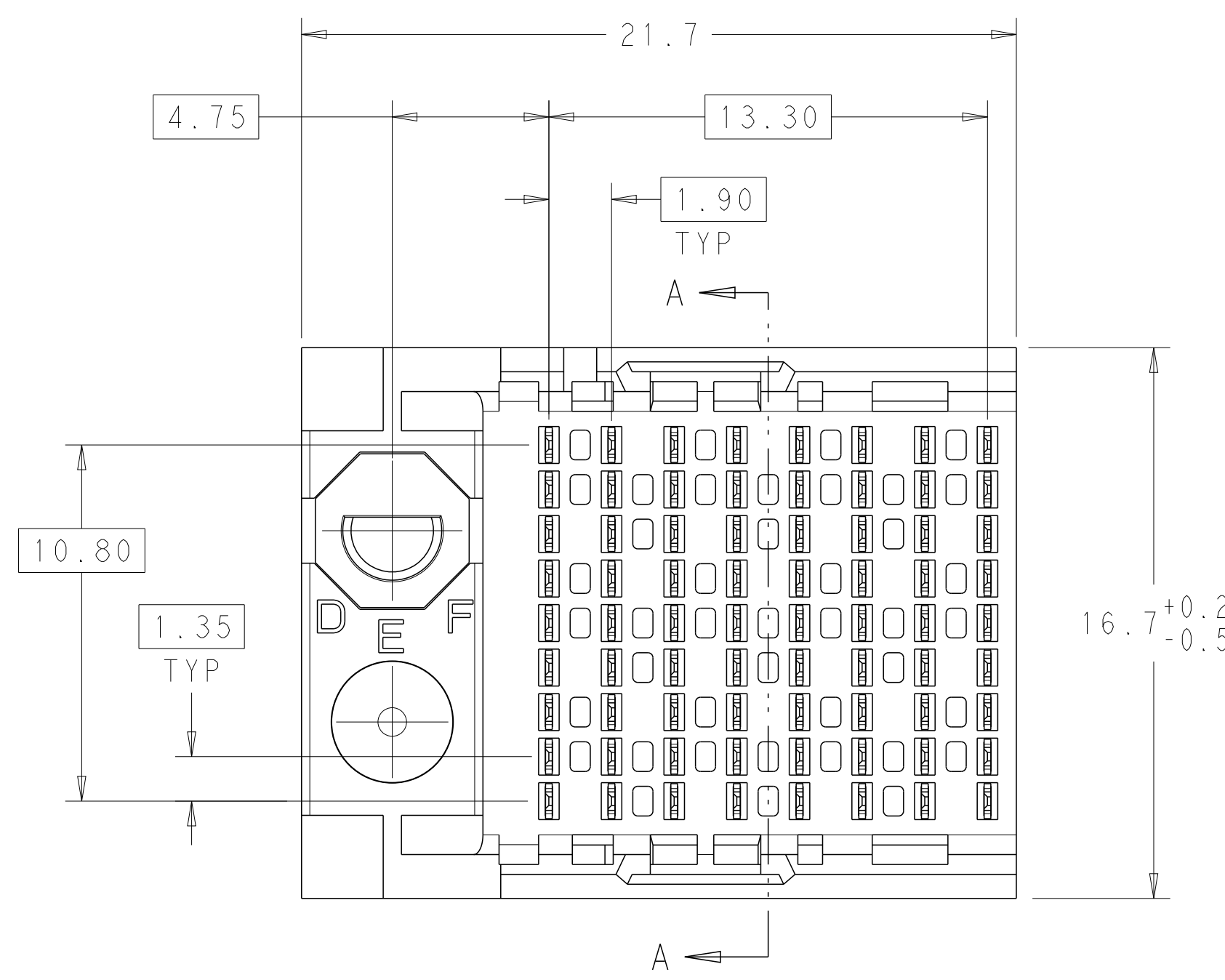
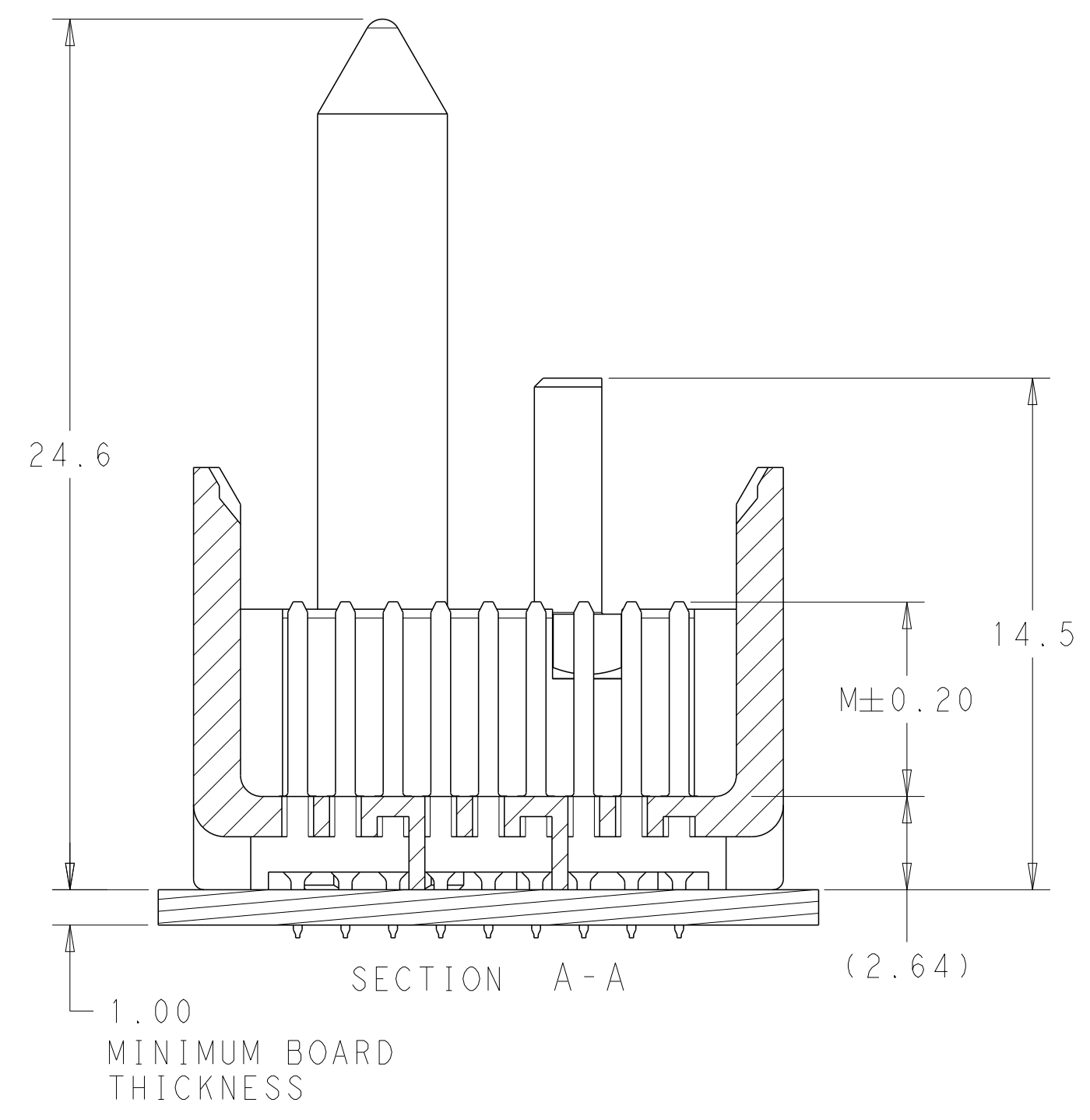
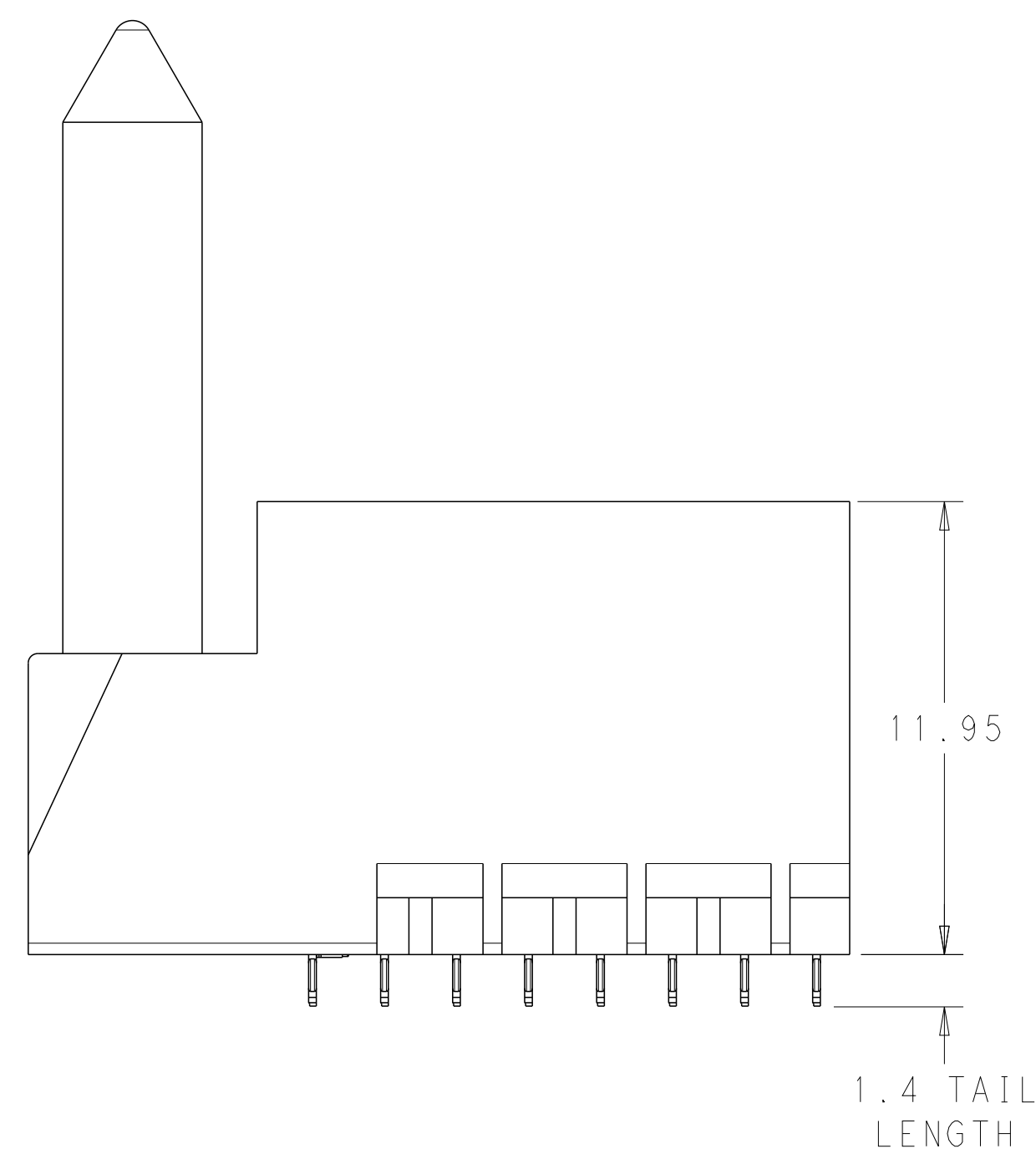
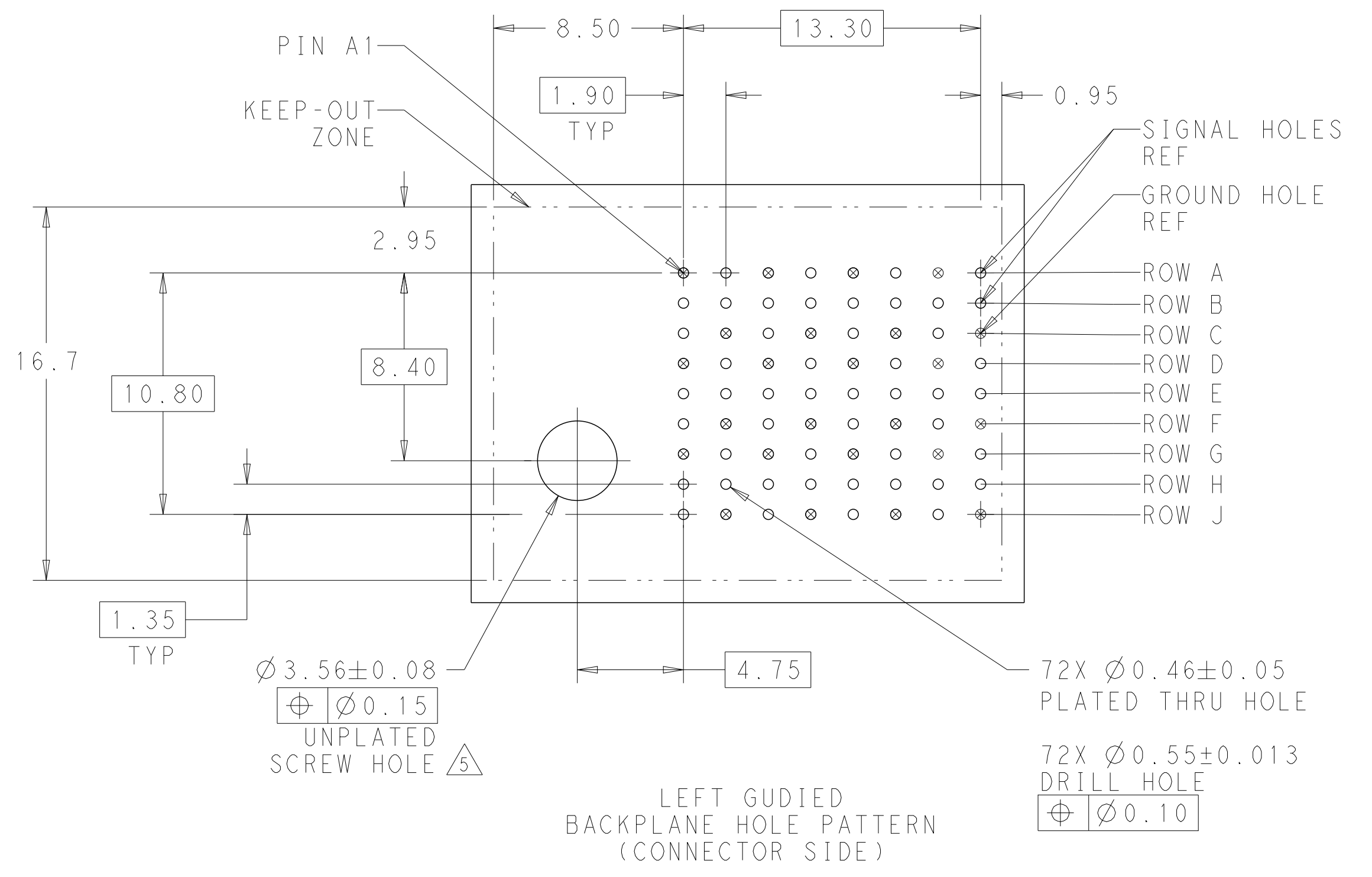


LOC	DIST	REVISIONS					
		P	LTN	DESCRIPTION	DATE	DWN	APVD
AD	00	2		KEY POSITION UPDATED	26 JUN 2013	KH	DD



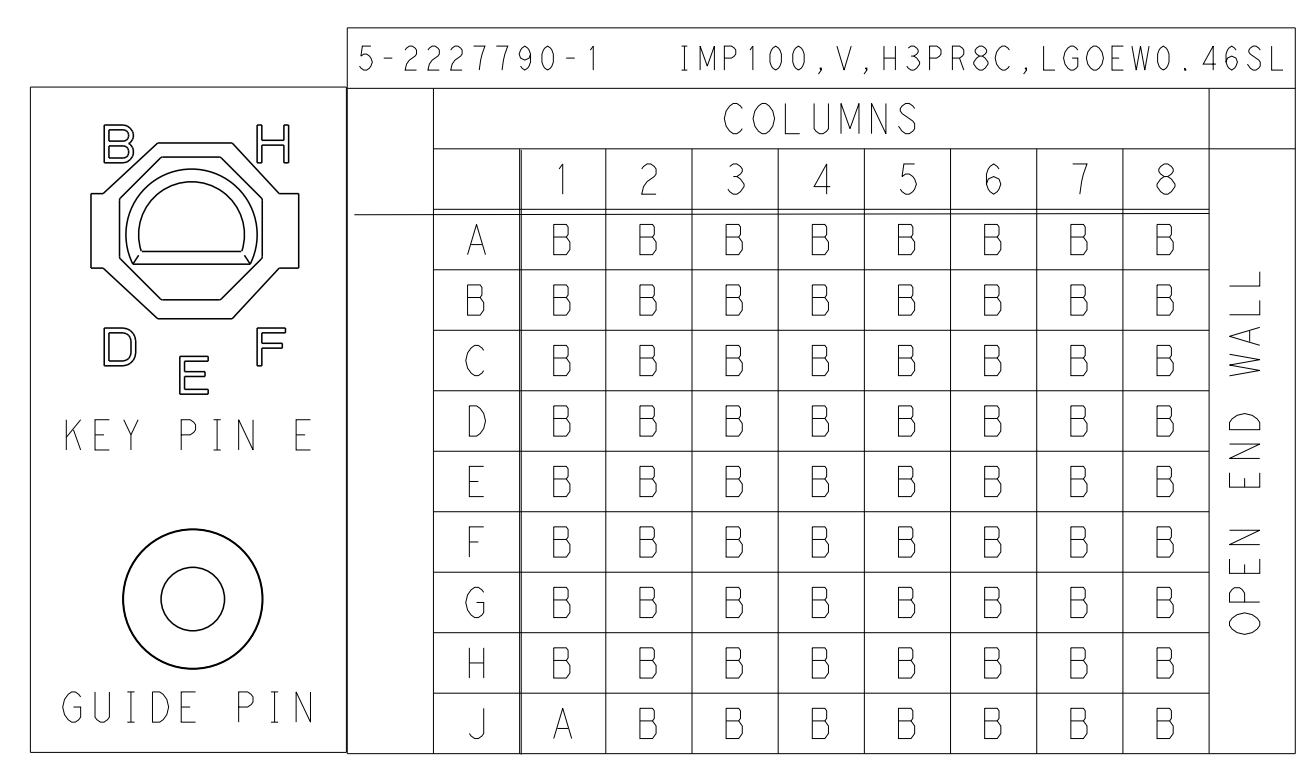
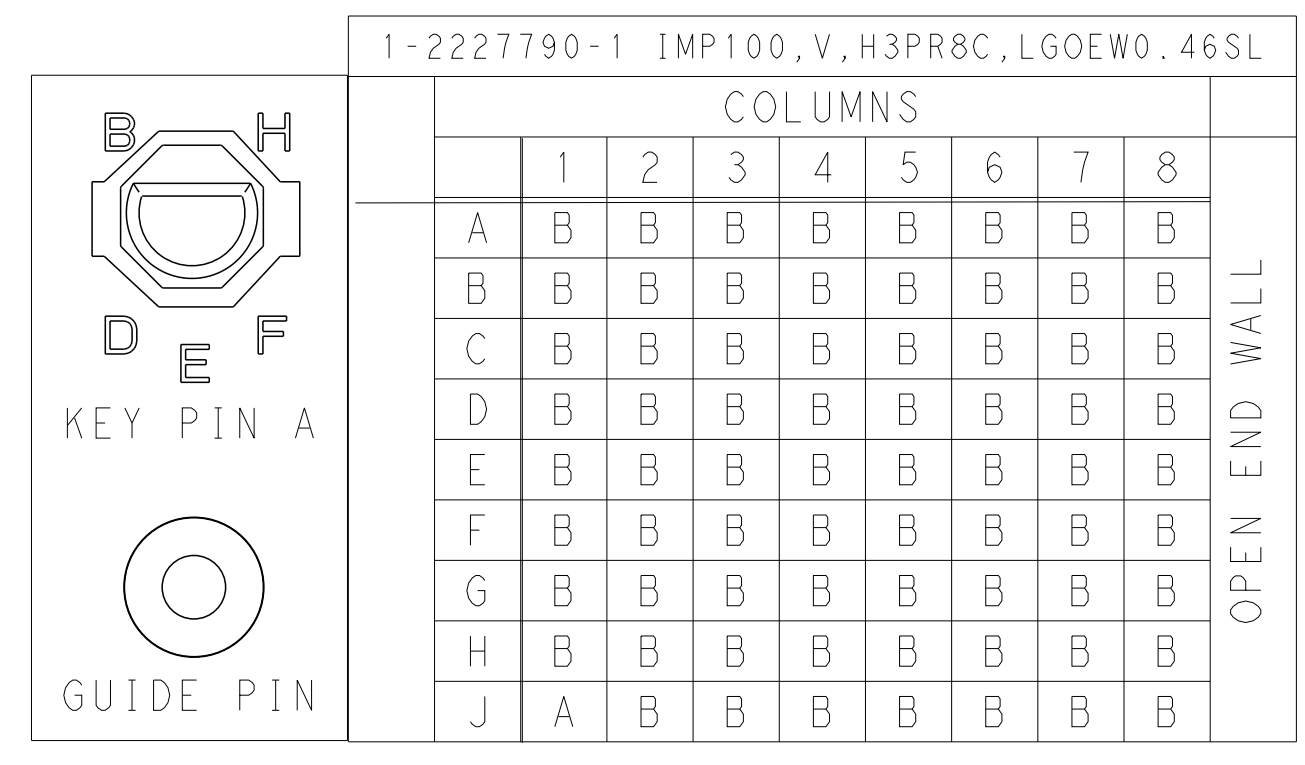
- 1. MATERIAL:
HOUSING: LCP, GLASS FILLED, UL94V-0.
TERMINALS: HIGH PERFORMANCE COPPER ALLOY.
- 2. FINISH:
30μ" MIN GOLD IN CONTACT AREA. SELECTIVE TIN ON PCB TAILS, NICKEL OVERALL.
- 3. FINISH:
30μ" MIN GOLD IN CONTACT AREA. SELECTIVE TIN-LEAD ON PCB TAILS, NICKEL OVERALL.
- 4. SCREWS PACKAGED IN END OF PACKAGING TUBE.
- 5. FOR GROUNDED GUIDE PIN USE Ø3.56±0.08 PTH, Ø3.66 DRILL, AND Ø6.5 PAD.
- 6. KEYING PIN SHOWN IN POSITION A, SEE KEYING CHART ON SHEET 2 FOR OTHER POSITIONS.



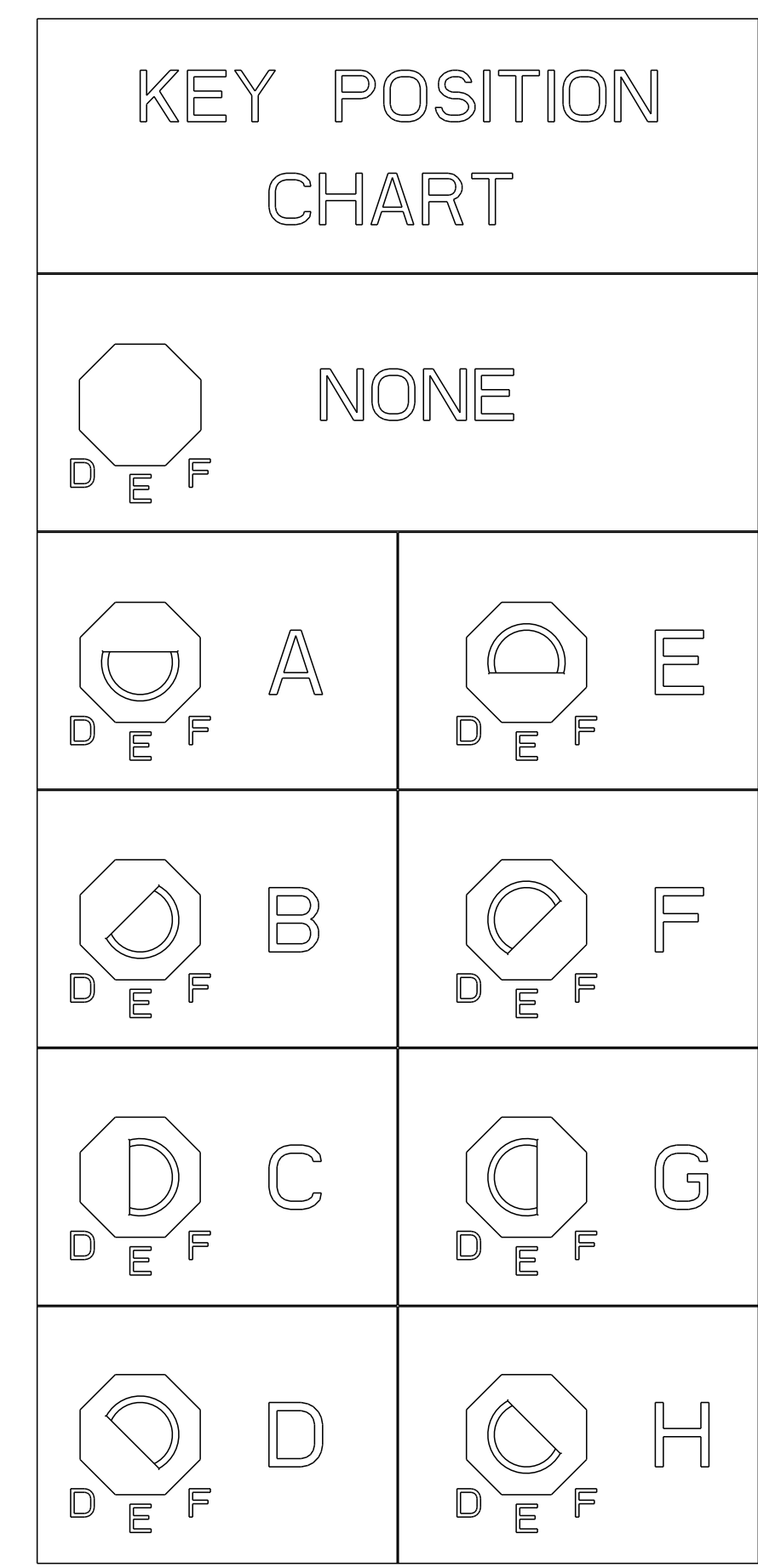
DESIGN APPROVED THIS PRINT IS
PRELIMINARY
TO FIRST PIECE APPROVAL
CONTACT PRODUCT ENGINEERING
BEFORE USING THIS PRINT

THIS DRAWING IS A CONTROLLED DOCUMENT.		DWN: KIRAN HOLLAL 24APR2013	PRELIMINARY	TE Connectivity
DIMENSIONS: mm		CHK: D. DIXON 24APR2013		
TOLERANCES UNLESS OTHERWISE SPECIFIED:		APVD: D. DIXON 24APR2013	IMPACT 3 PAIR, 8 COLUMN HEADER	
0 PLC ±0.25		PRODUCT SPEC	LEFT GUIDED, OPEN END WALL	
1 PLC ±0.13		APPLICATION SPEC	SIGNAL MODULE, 0.46 PTH	
2 PLC ±0.10		SIZE: CAGE CODE: DRAWING NO:	RESTRICTED TO	
3 PLC ±0.08		WEIGHT:	A100779C=2227790	
4 PLC ±0.05		CUSTOMER DRAWING	SCALE: 6:1 SHEET 1 OF 2 REV 2	
ANGLES: °				
FINISH: SEE TABLE				

LOC	DIST	REVISIONS			
P	LTN	DESCRIPTION	DATE	DMN	APVD
-	-	SEE SHEET 1	-	-	-



M Dimensions
 "A" Contacts=4.5mm
 "B" Contacts=4.9mm



REFER TO WWW.TE.COM FOR PRODUCT AVAILABILITY

2	E	5-2227790-1
2	A	1-2227790-1
FINISH	KEY POSITION	PART NUMBER

THIS DRAWING IS A CONTROLLED DOCUMENT.

DIMENSIONS:	TOLERANCES UNLESS OTHERWISE SPECIFIED:	DMN: KIRAN HOLAL 24APR2013	TE Connectivity NAME: IMPACT, 3 PAIR, 8 COLUMN, HEADER LEFT GUIDED, OPEN END WALL SIGNAL MODULE, 0.46 PTH SIZE: CAGE CODE DRAWING NO: A100779C=2227790 RESTRICTED TO:
mm	0 PLC ±0.25	CHK: D. DIXON 24APR2013	
	2 PLC ±0.13	APVD: D. DIXON 24APR2013	
	3 PLC ±	PRODUCT SPEC	
	4 PLC ±	APPLICATION SPEC	WEIGHT: -
	ANGLES ±	FINISH	CUSTOMER DRAWING
MATERIAL: -	SEE TABLE	SCALE: 5:1	SHEET 2 OF 2
		REV: 2	