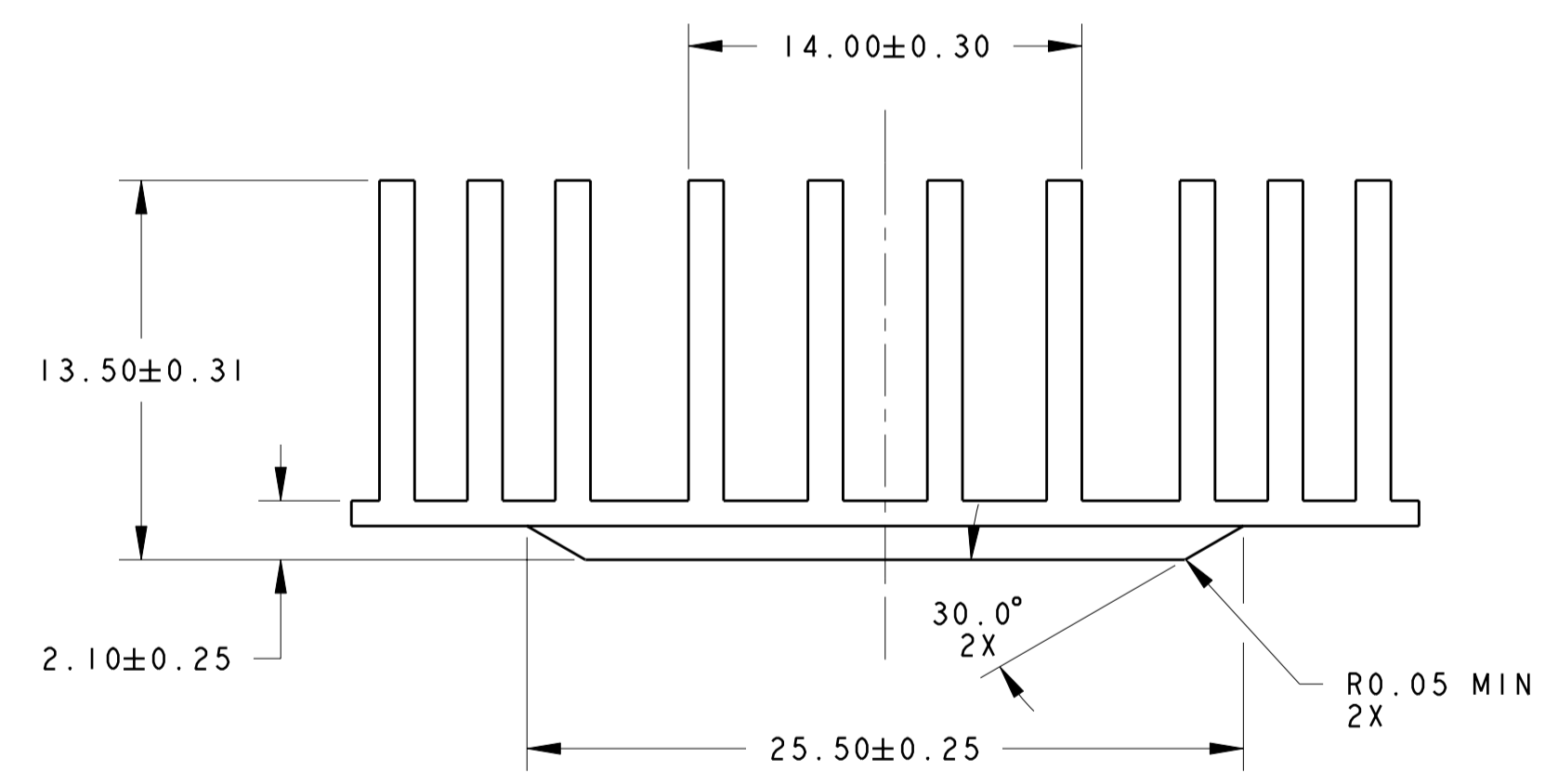
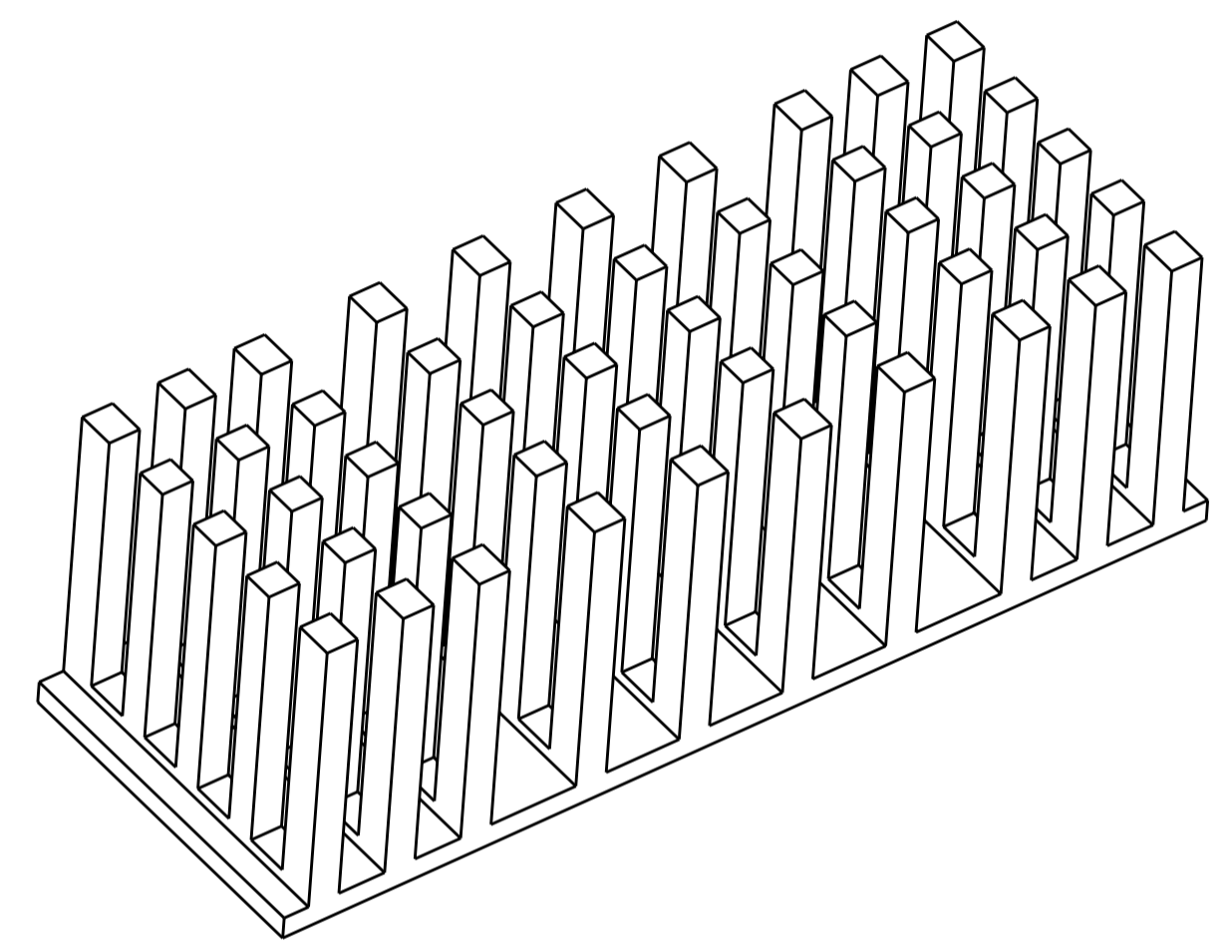
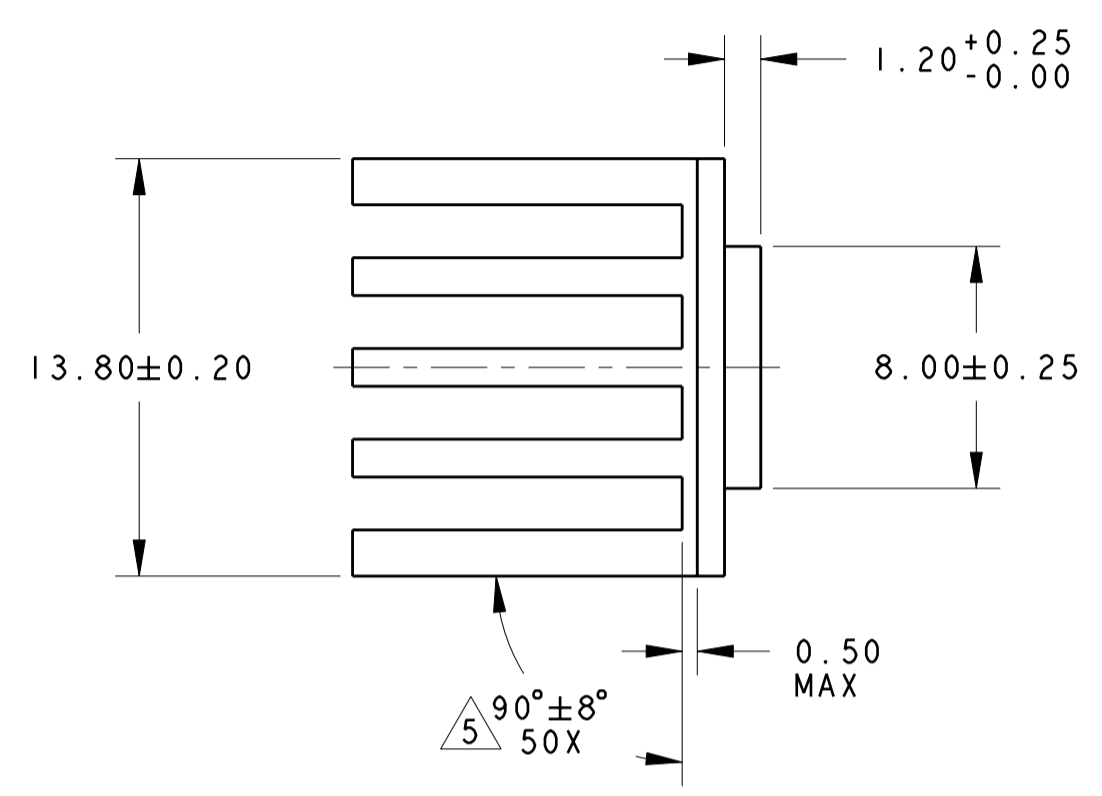
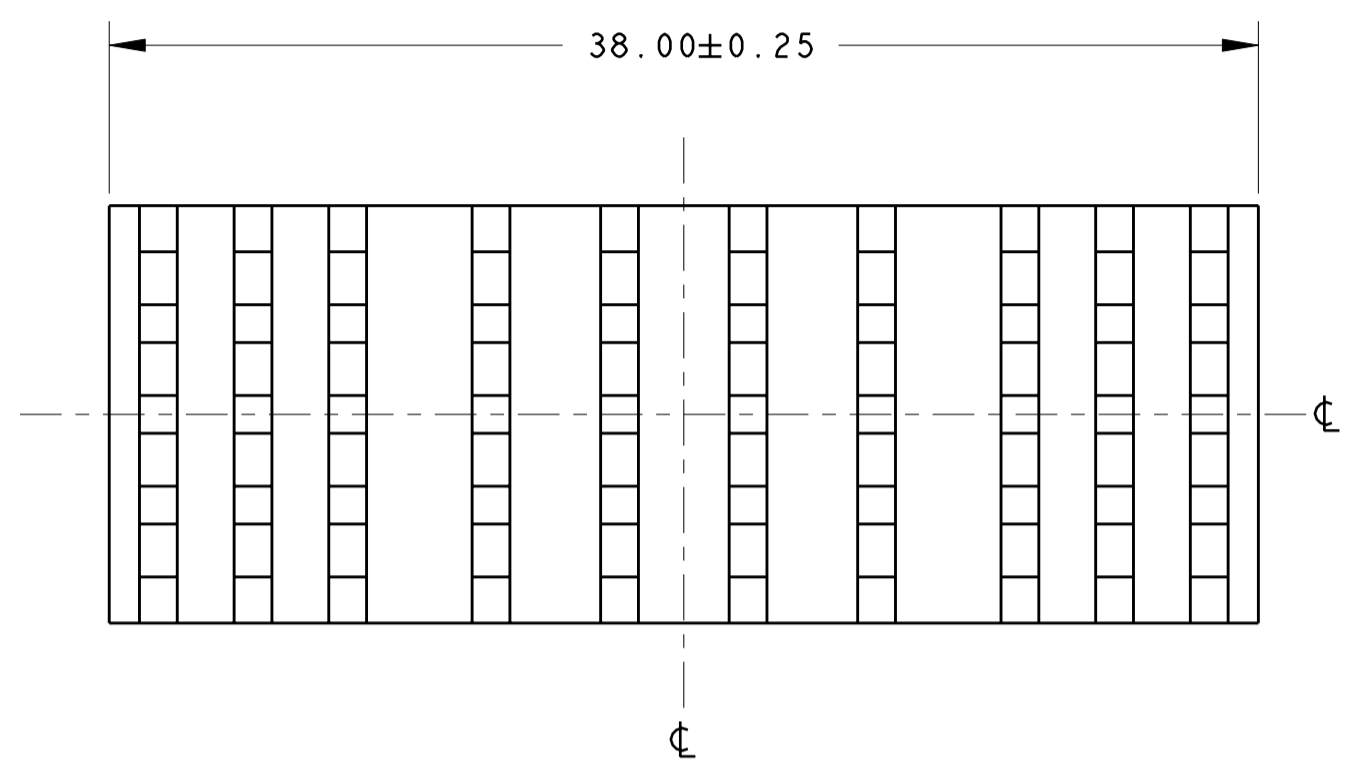


LOC		DIST		REVISIONS			
P	LTR	DESCRIPTION	DATE	DWN	APVD		
C		REVISED	22JUL2009	DH	JE		
C1		REVISED PER ECO-10-001873	19FEB2010	DH	JE		
C2		REVISED PER ECO-10-014519	21MAY2010	MB	MB		



NOTES:

- UNLESS OTHERWISE SPECIFIED
- 1 MATERIAL: 6063 ALUMINUM.
- 2 FINISH: ELECTROLESS NICKEL 0.76-2.54 MICROMETERS THICK. RoHS COMPLIANT.
- 3. 0,2mm MAX BURR.
- 4. VARIATION IN PLATING COLOR IS NORMAL AND ALLOWED.
- 5 MAXIMUM PIN LEAN OF 8° IN ANY DIRECTION.
- 6. RoHS COMPLIANT AND CERTIFIED.
- 7 FINISH: HARD ANODIC COATING PER MIL-A-8625 TYPE III, 40.64 MICROMETERS MINIMUM THICK.

7	1829905-4
2	1829905-2
FINISH	PART NUMBER

THIS DRAWING IS A CONTROLLED DOCUMENT FOR TYCO ELECTRONICS CORPORATION. IT IS SUBJECT TO CHANGE AND THE CONTROLLING ENGINEERING ORGANIZATION SHOULD BE CONTACTED FOR THE LATEST REVISION.		DWN E.TAO 6-26-06	Tyco Electronics Harrisburg, PA 17105-3608	
DIMENSIONS: mm		CHK V.KHEIL 7-13-06	NAME HEAT SINK SFP DWDM 13.5mm TALL	
TOLERANCES UNLESS OTHERWISE SPECIFIED: 0 PLC ±.2 1 PLC ±.10 2 PLC ±.08 3 PLC ±.08 4 PLC ±0.0001 ANGLES ±5 FINISH		APVD -	PRODUCT SPEC -	RESTRICTED TO -
MATERIAL 1	FINISH 2	APPLICATION SPEC -	WEIGHT -	SIZE A200779
CUSTOMER DRAWING		SCALE 4:1	DRAWING NO C-1829905	SHEET 1
				REV C2