

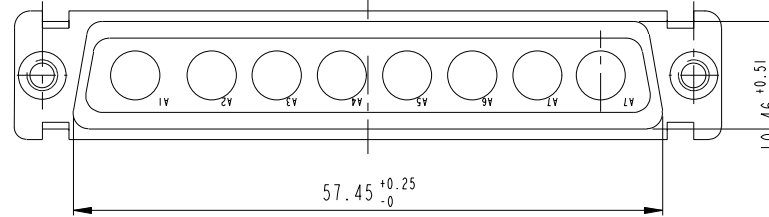
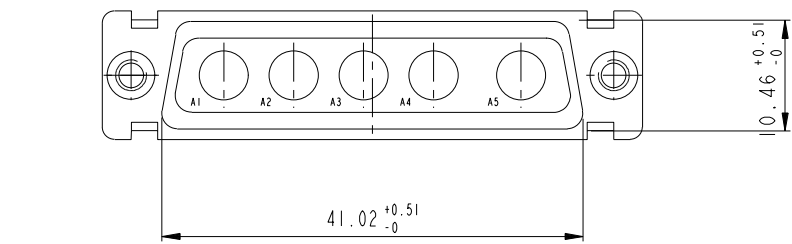
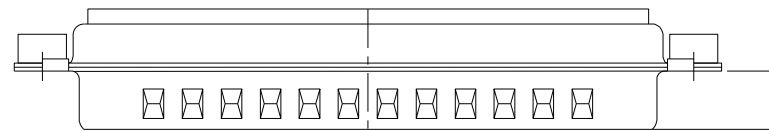
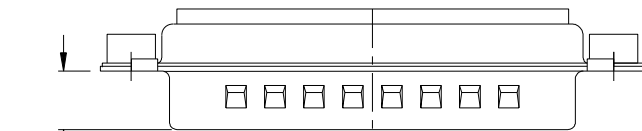
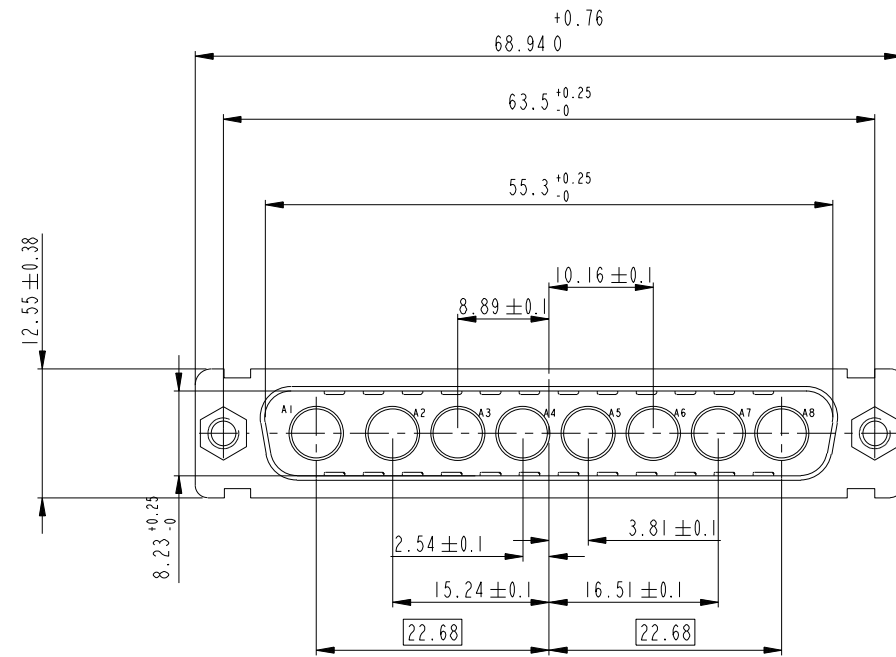
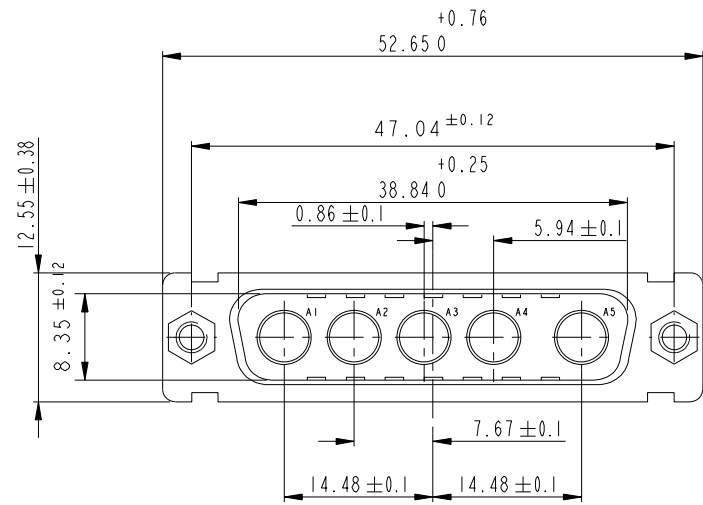






5W5

8W8



Copyright FCI. FCI

www.fciconnect.com		surface ISO 1302	tolerance std ISO 406 ISO 1101	projection mm
TOLERANCES UNLESS OTHERWISE SPECIFIED		0.X	±0.3	size A2
Dr	M PESSON	2005-10-11	ANGULAR	Scale 2:1
Eng	P LEGARE	2005-10-11	LINEAR	0.XX ±0.1
Chr			0° ±2°	0.XXX ±0.05
Appr			Product family	ECN F09-0076
Title SUB MALE DW		Spec ref		Rev. E
full power without contact		Customer		sheet 4 of 4
catalog no		CUSTOMER		