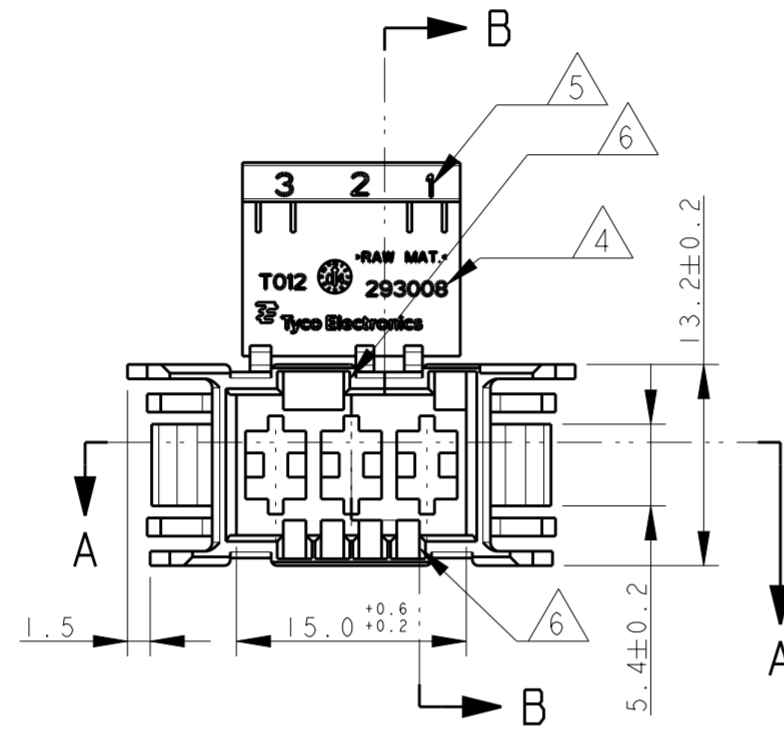
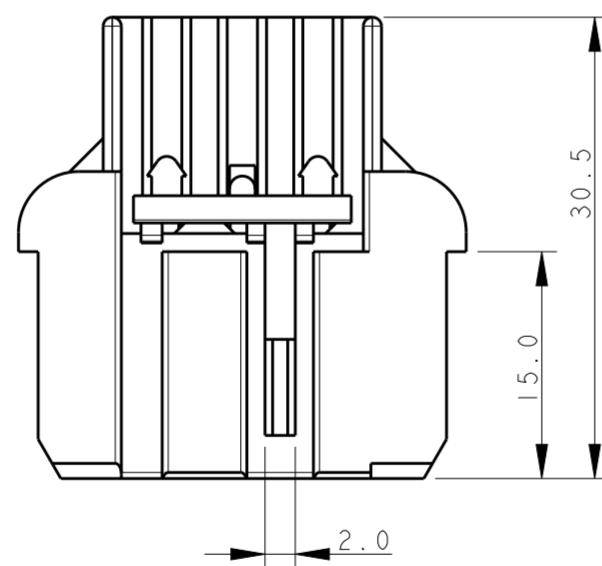
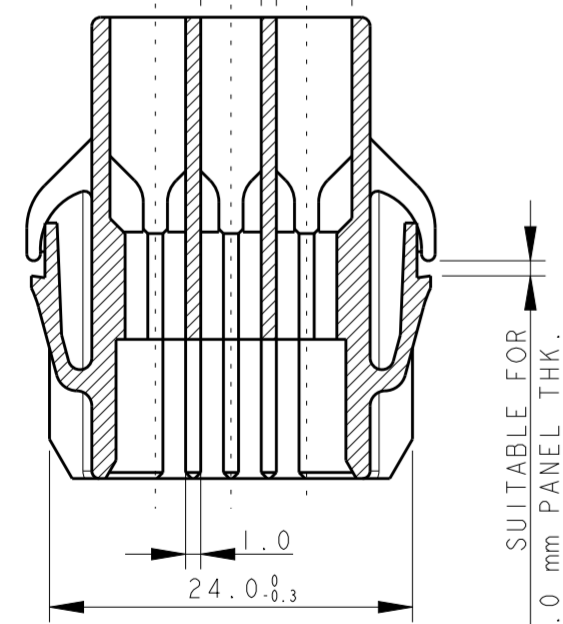
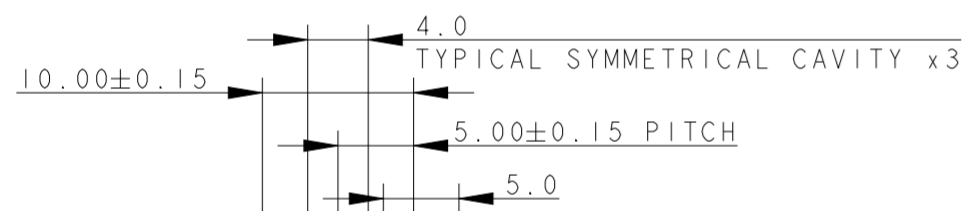


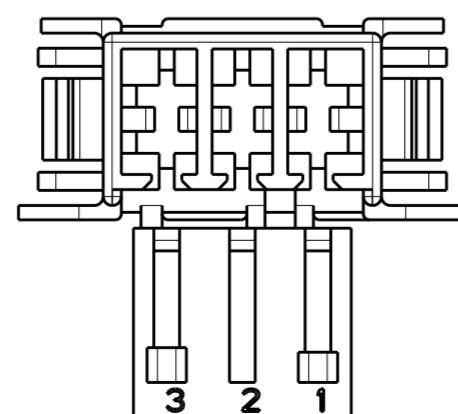
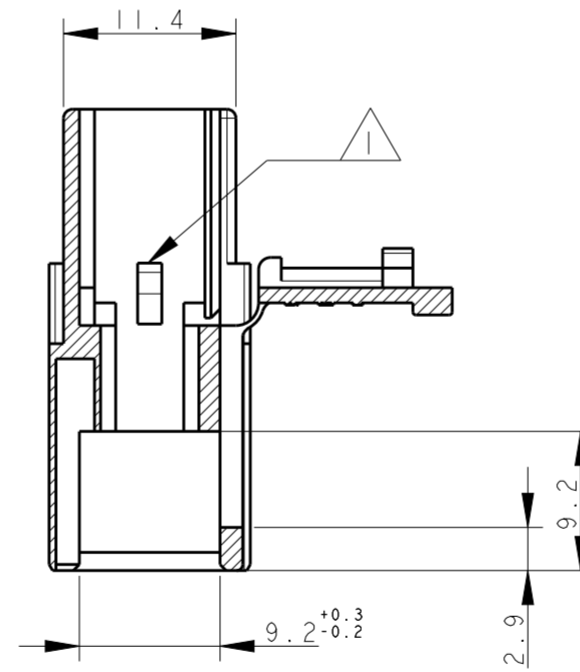
SCALE 1:1



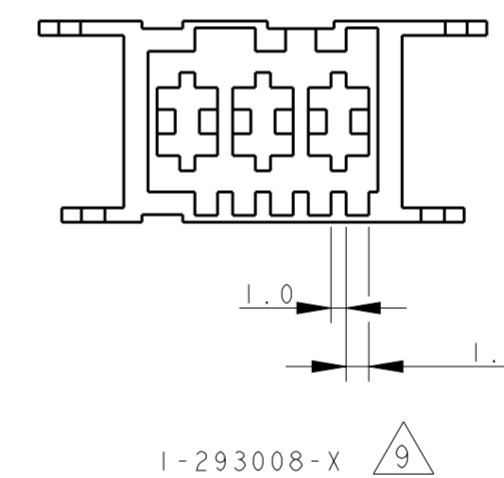
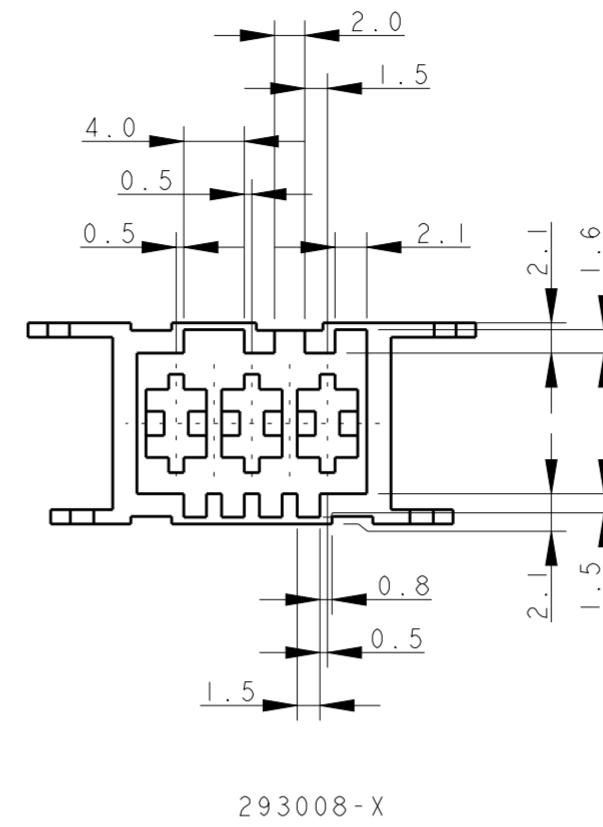
SECTION A-A



SECTION B-B



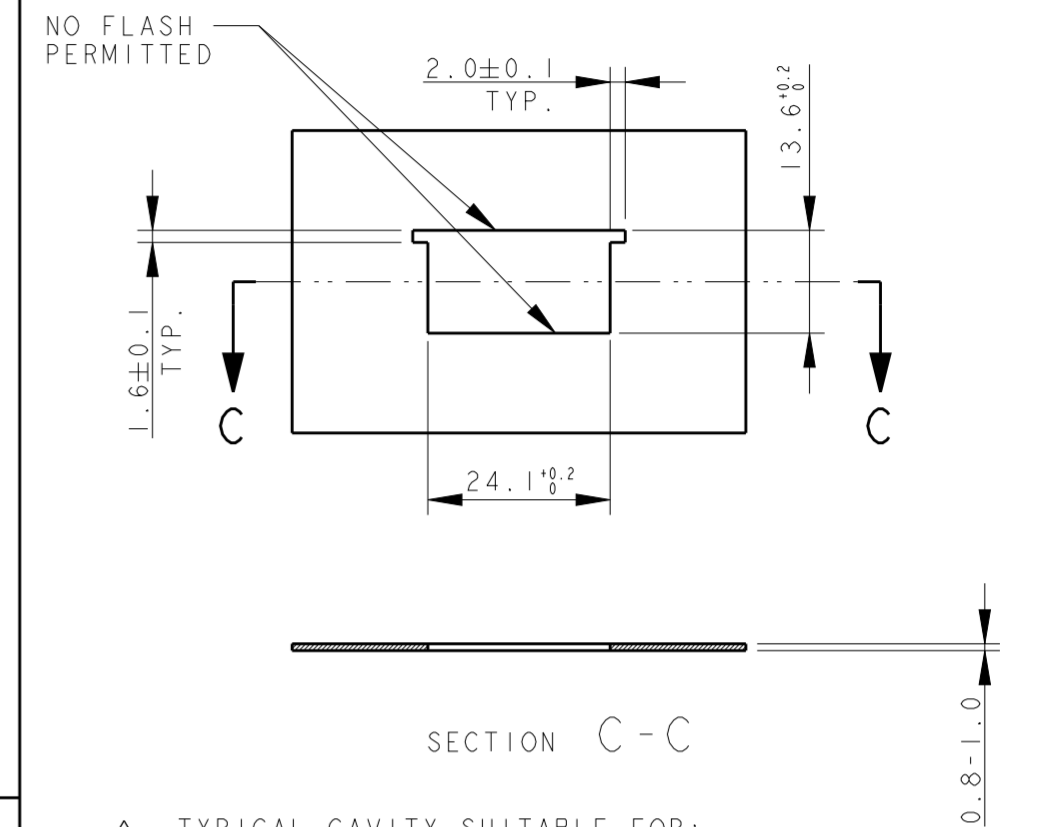
POLARIZATION SCHEME



REVISIONS

P	LTR	DESCRIPTION	DATE	DWN	APVD
B7		ECR-14-017862	20JAN2015	SS	RR
B8		ECR-15-009524	26JUN2015	KD	RR

PANEL MOUNT DIMENSIONS SCALE 1:1



SECTION C-C

- 1) TYPICAL CAVITY SUITABLE FOR:
 FASTIN-FASTON TAB CONTACTS 6.3 mm SRS:
 P/N: 60294, 0.3-0.8 mm² WIRE RANGE
 160691, 0.3-0.8 mm² WIRE RANGE
 AMPLIVAR CONTACTS:
 P/N: 141051, 0.1-0.5 mm² WIRE RANGE
 142411, 0.3-1.6 mm² WIRE RANGE
 MAX. INSULATION DIA. 2.8 mm,
 MAX. INSULATION CRIMP WIDTH 3.3 mm.

- 2) PA6 UNFILLED, UL 94-V2, NATURE COLOUR ACCORDING TO IEC 60335-1 NORM. EDITION 4
- 3) PA66 UNFILLED, UL 94-V2, NATURAL COLOUR

- 4) TRADEMARK "LOGO" AND TYCO ELECTRONICS "PART NUMBER" OPTIONAL POSITION.

- 5) CIRCUIT IDENTIFICATION NUMBERS, 1 TO 3

- 6) POLARIZATION KEYS DIMENSIONS AND POSITIONS ARE ACCORDING TO "RAST 5" NORM RAST CODE 03-A & 03-1.

- 7) PA66 UNFILLED, UL 94-V0, NATURAL COLOUR
- 8) PA66 UNFILLED, UL 94-V0 GWT, NATURAL COLOUR

- 9) PRELIMINARY - NOT RELEASED FOR PRODUCTION

- 10) PA66 UNFILLED, UL94-V0 GWT, NATURAL COLOUR

COLOUR	MATERIAL	TE P/N	REV
NATURAL	SEE NOTE 2	1-293008-1	B
NATURAL	SEE NOTE 10	293008-6	9
NATURAL	SEE NOTE 8	293008-5	B
NATURAL	SEE NOTE 7	293008-3	B
NATURAL	SEE NOTE 3	293008-2	B
NATURAL	SEE NOTE 2	293008-1	B

THIS DRAWING IS A CONTROLLED DOCUMENT.

DWN 27 FEB 2004
 H. YAALI

CHK C. TARTARI

APVD -

PRODUCT SPEC

108-20256

APPLICATION SPEC

WEIGHT -

CUSTOMER DRAWING

DIMENSIONS:	TOLERANCES UNLESS OTHERWISE SPECIFIED:
mm	
0 PLC	±
1 PLC	±0.3
2 PLC	±
3 PLC	±
4 PLC	±
ANGLES	±1°
FINISH	SEE TABLE
MATERIAL	SEE TABLE

STE TE Connectivity

NAME: 3 POS. FASTIN-FASTON Connector TAB HOUSING, RAST 5 0.8-1.0 MM THK. PANEL MOUNT

SIZE: A2 CAGE CODE: - DRAWING NO: C-293008 RESTRICTED TO: -

SCALE: 2:1 SHEET: 1 OF 1 REV: B8