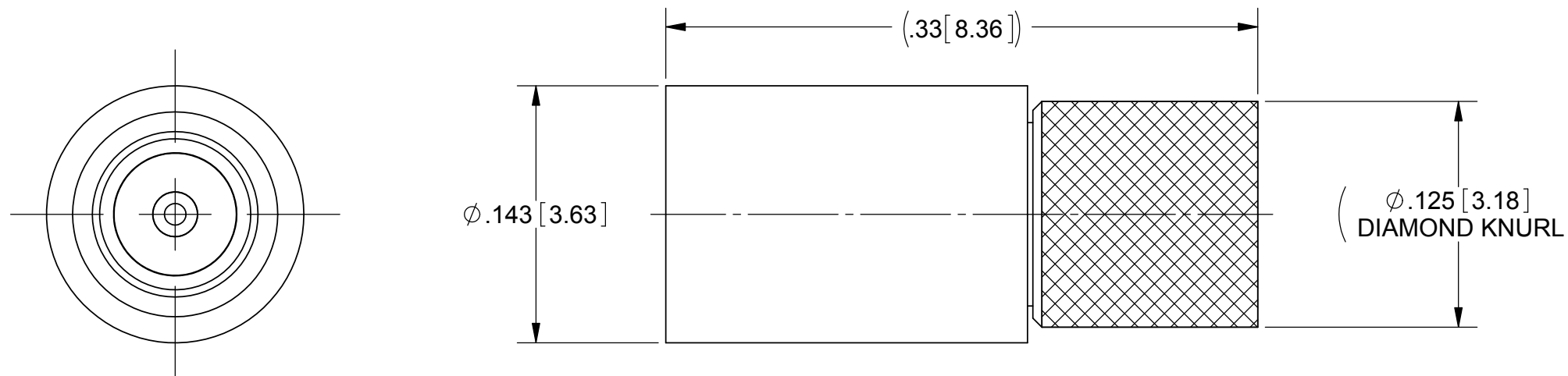


PRODUCT DATA DRAWING

REVISION HISTORY			
REV	DESCRIPTION	DATE	APPROVED
-	DCN 36040	09/08	STW
A	REV. DCN 41342	05/19/15	STW
B	REV. DCN 42609	08/23/16	STW



MATERIAL:

- MATING BODY: STAINLESS STEEL PER AMS-5640, ALLOY UNS S30300, TYPE 1, OR ASTM A582, TYPE 303, CONDITION A.
- CONTACT: BERYLLIUM COPPER PER ASTM B196, ALLOY No. UNS C17300, TD04
- REAR BODY: BRASS PER ASTM B16, ALLOY UNS No. C36000
- INSULATORS: PTFE PER ASTM D1710, TYPE I, GRADE 1, CLASS B
- RESISTOR ELEMENT: ALUMINA SUBSTRATE WITH NICHROME RESISTOR

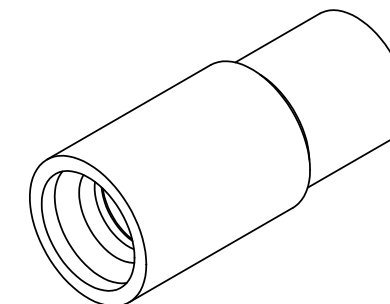
FINISH:

REAR BODY & CONTACT: GOLD PER ASTM B488, TYPE II, CODE C, CLASS 1.27, OVER NICKEL PER AMS-QQ-N-290, CLASS 1, .00005" MIN.

MATING BODY: PASSIVATED PER AMS-2700

PERFORMANCE:

IMPEDANCE: 50 OHMS
 FREQ. RANGE: DC TO 40.0 GHz
 VSWR: 1.20:1 DC TO 18.0 GHz
 1.30:1 18.0 GHz TO 40.0 GHz



SV P/N	INTERFACE
8032-6001	FD
8032-6002	SB

MATERIAL: SEE NOTES	DIMENSIONS ARE IN INCHES TOLERANCES: FRACTIONAL: ±1/64 ANGULAR: X° ±1'0" X"X' ±15'	UNLESS OTHERWISE SPECIFIED 1) ALL DIMENSIONS ARE IN INCHES (MILLIMETERS) 2) ALL DIMENSIONS ARE AFTER PLATING. 3) BREAK CORNERS & EDGES .005 R. MAX. 4) CHAM. 1ST & LAST THREADS. 5) SURFACE ROUGHNESS 63-MIL-STD-10. 6) DIA. 'S ON COMMON CENTERS TO BE CONCENTRIC WITHIN .005 T.I.R. 7) REMOVE ALL BURRS	SV Microwave, Inc. 2400 Centrepark West Drive, Suite 100 West Palm Beach, FL 33409 TITLE: SMPM MALE 1/2 W TERMINATION	
FINISH: SEE NOTES	DECIMAL: X ±.030 .XX ±.010 .XXX ±.005			
SURFACE AREA: N/A	INTERPRET DIMENSIONS AND TOLERANCES PER ASME Y14.5M - 1994	THIRD ANGLE PROJECTION	DRAWN: DAL 09/03/08	SIZE CAGE CODE DWG. NO. B 95077 8032-600X
PROPRIETARY THE INFORMATION CONTAINED IN THIS DRAWING IS THE SOLE PROPERTY OF SV MICROWAVE, INC. ANY REPRODUCTION IN PART OR AS A WHOLE WITHOUT THE WRITTEN PERMISSION OF SV MICROWAVE, INC IS PROHIBITED.		CHECKED: STW 09/03/08	APPROVED: STW 09/03/08	SCALE: 12:1