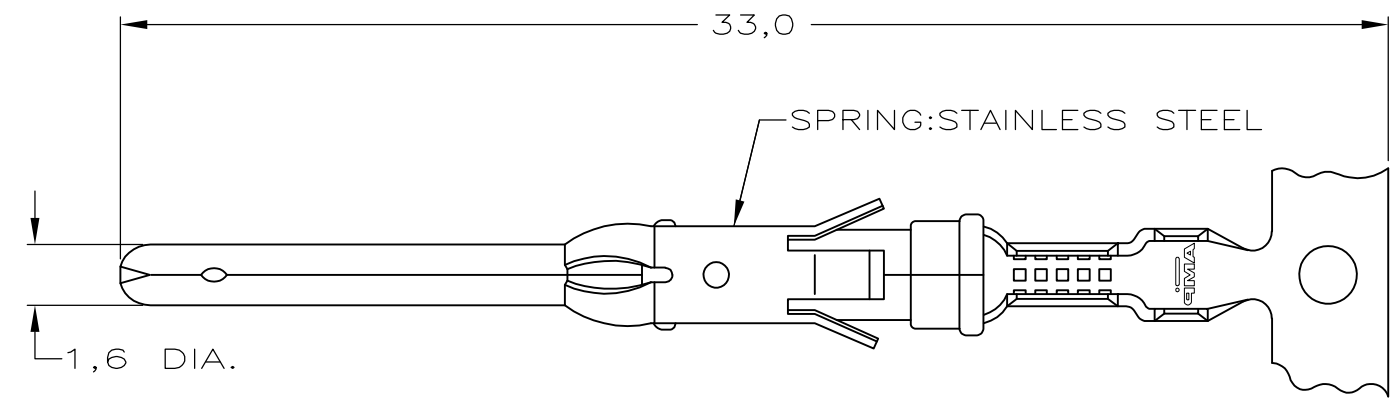
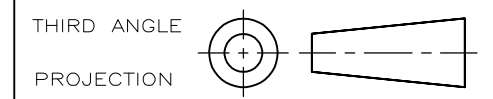
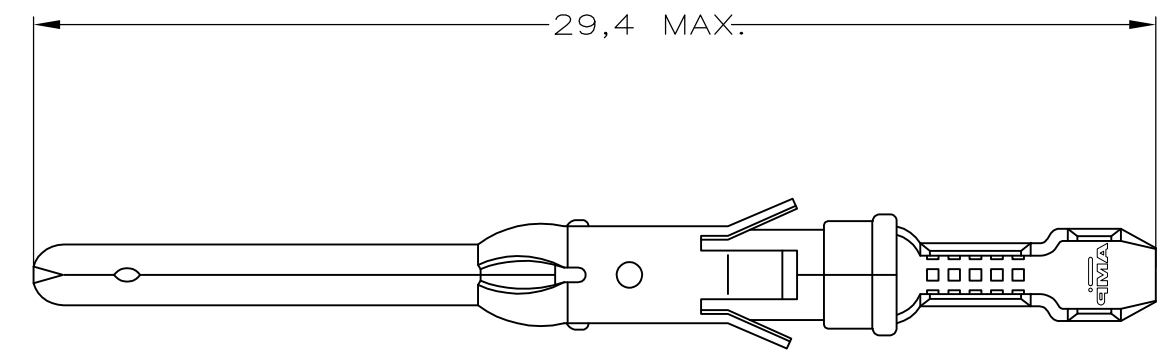


DO NOT SCALE  
DIMENSIONS IN mm

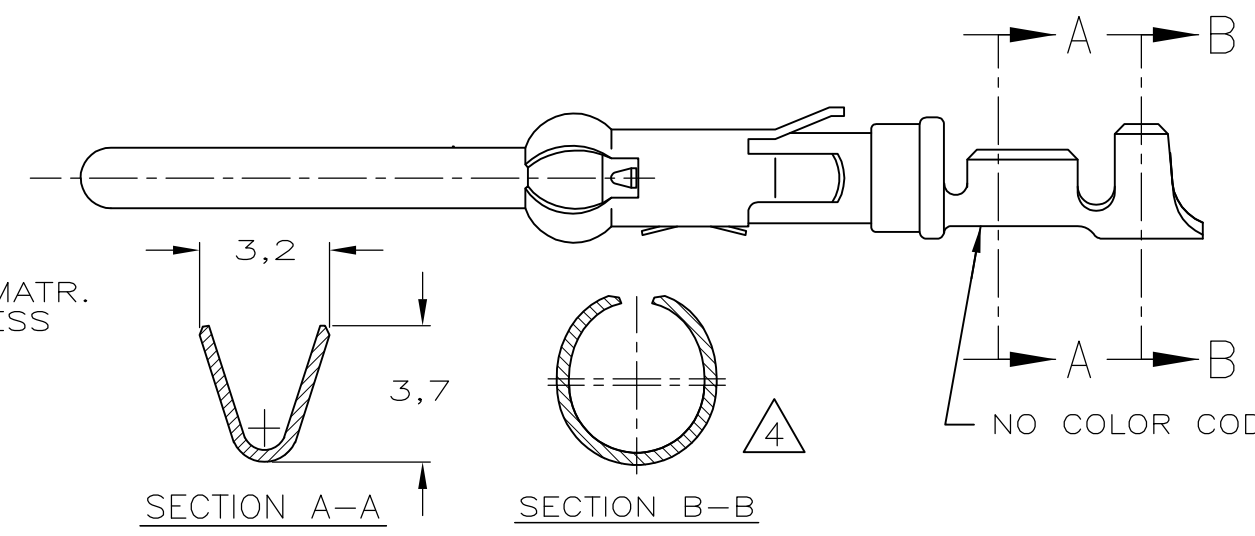
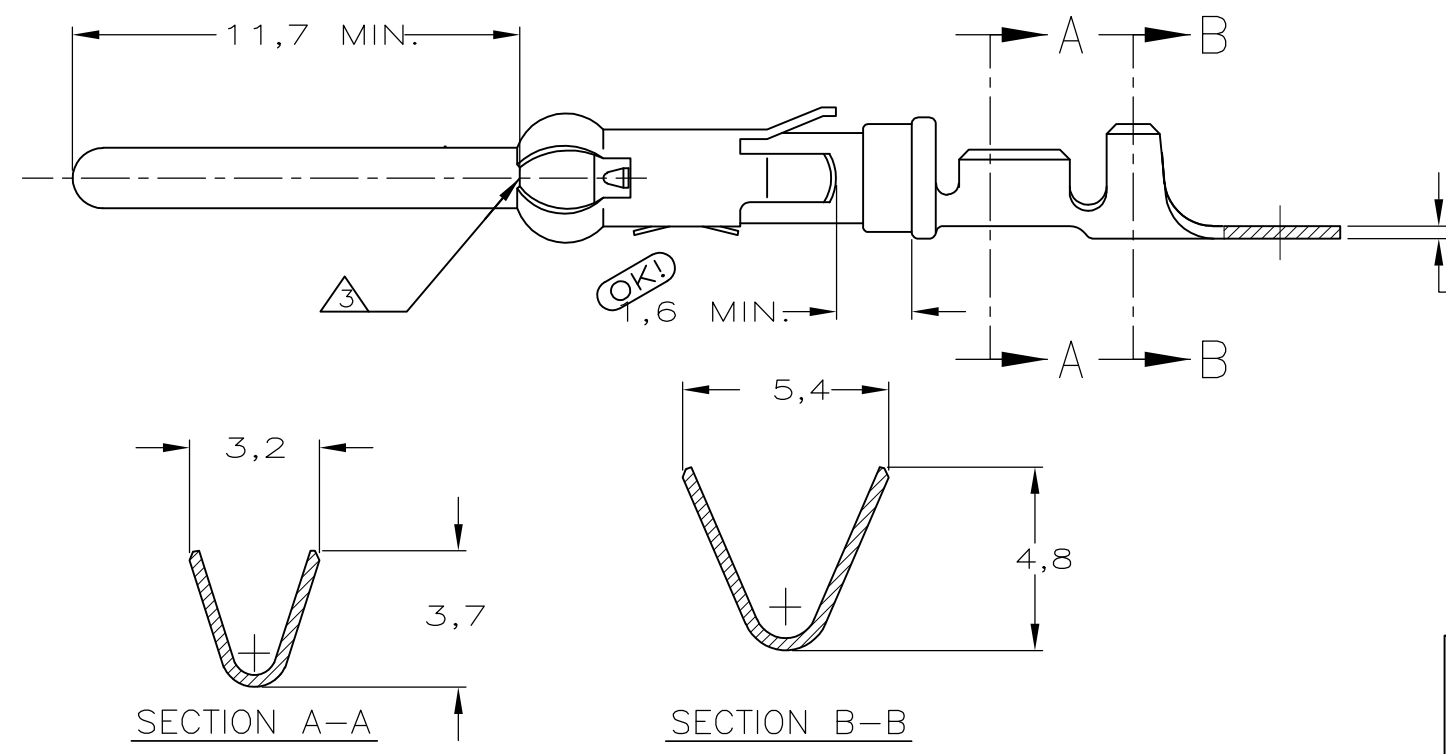
METRIC



STRIP



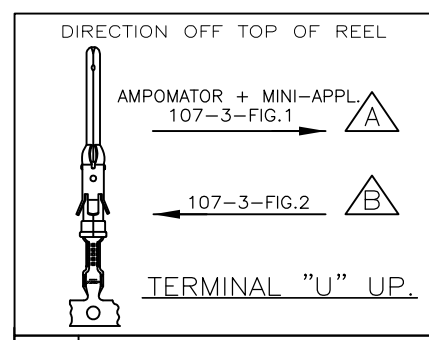
LOOSE PIECE



WIRE RANGE : 1,0-2,5 mm<sup>2</sup> (13-17 AWG)  
INSUL. RANGE : 2,5-3,8 mm (.100-.150)

- NOTES :
- FOR CRIMPDETAILS SEE AMP-SPEC. 114-19.000 .
  - MEETS PRODUCTSPECIFICATION 108-10042.
  - 0,40 MAX. GAP BETWEEN SPRING-NOSE AND CONTACT BODY.
  - PREFORMED FOR USE IN HANDTOOL CRIMPAC TOOL II 825582.
  - OBsolete PARTS: OBsolete CIS STREAMLINING PER D.RENAUD/D.SINISI
  - OBsolete PART.

NOTES	MATERIAL	THICKNESS	AREA
20	TIN	2,0 μm	ALL OVER
21	NICKEL GOLD TIN/LEAD	0,8 μm	ALL OVER CONTACT AREA BARREL
22	NICKEL GOLD GOLD	0,8 μm	ALL OVER CONTACT AREA ALL OVER
23	NICKEL GOLD GOLD	1,2 μm	ALL OVER CONTACT AREA ALL OVER
27	NICKEL SILVER TIN/LEAD	2,5 μm	ALL OVER CONTACT AREA BARREL
28	SILVER	0,5 μm	ALL OVER
29	SILVER	2,5 μm	ALL OVER



PARTNUMBER	DIRECTION OF REEL	LOOSE-PIECE	MATERIAL	PLATING
1-166824-0	A		PH.BRONZE	SEL.SILVER
166824-9	B		PH.BRONZE	SEL.SILVER
30 166824-8	A		PH.BRONZE	ECON.GOLD
166824-7	B		PH.BRONZE	ECON.GOLD
166824-6	A		PH.BRONZE	FULL SILVER
166824-5	B		PH.BRONZE	FULL SILVER
166824-4	A		BRASS	PRE-TIN
30 166824-3	B		BRASS	PRE-TIN
166824-2	A		PH.BRONZE	PRE-TIN
166824-1	B	31	166827-1	PH.BRONZE PRE-TIN

— — — CUSTOMER DRAWING FOR REFERENCE ONLY WILL NOT BE UPDATED

© COPYRIGHT 19 — BY AMP-HOLLAND B.V. ALL INTERNATIONAL RIGHTS RESERVED.AMP PRODUCTS MAY BE COVERED BY U.S. AND FOREIGN AND/OR PATENTS PENDING.

THIS DRAWING IS UNPUBLISHED RELEASED FOR PUBLICATION AUG,19 87

**Tyco Electronics** AMP-HOLLAND B.V. 's-Hertogenbosch, The Netherlands.

NAME: PIN TYPE III CONTACT. SIZE 16 (LONG PIN)

DR.: L.V.D.HEIJDEN.	CHK.: M.V.DRIEL.	APP.: L.V.SOEST.	DWG.No. 166824	REV.LTR. L2	SHEET 1 of 1	A3
DATE: 19-08-87	DATE: -	DATE: -				