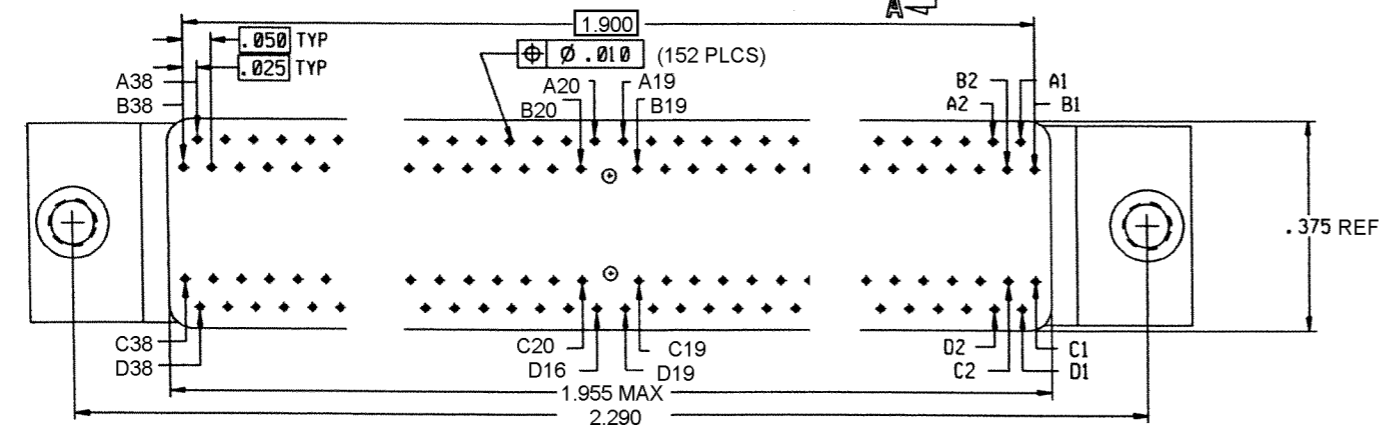
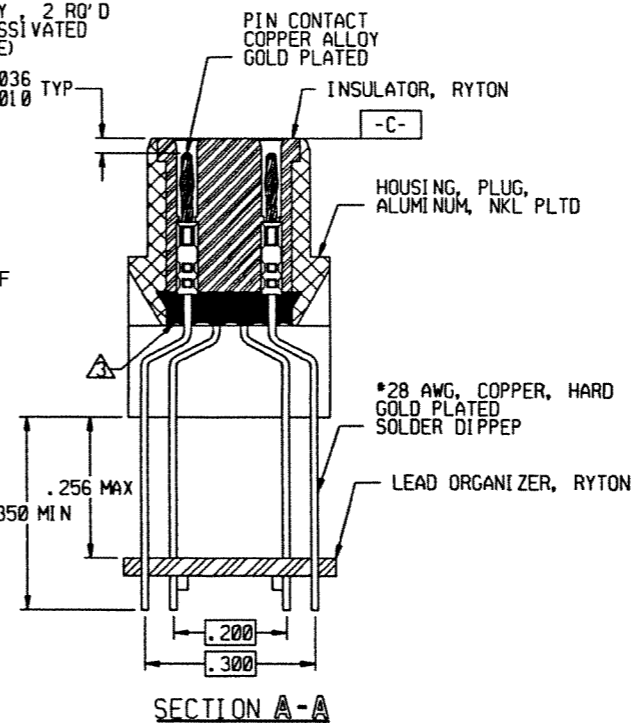
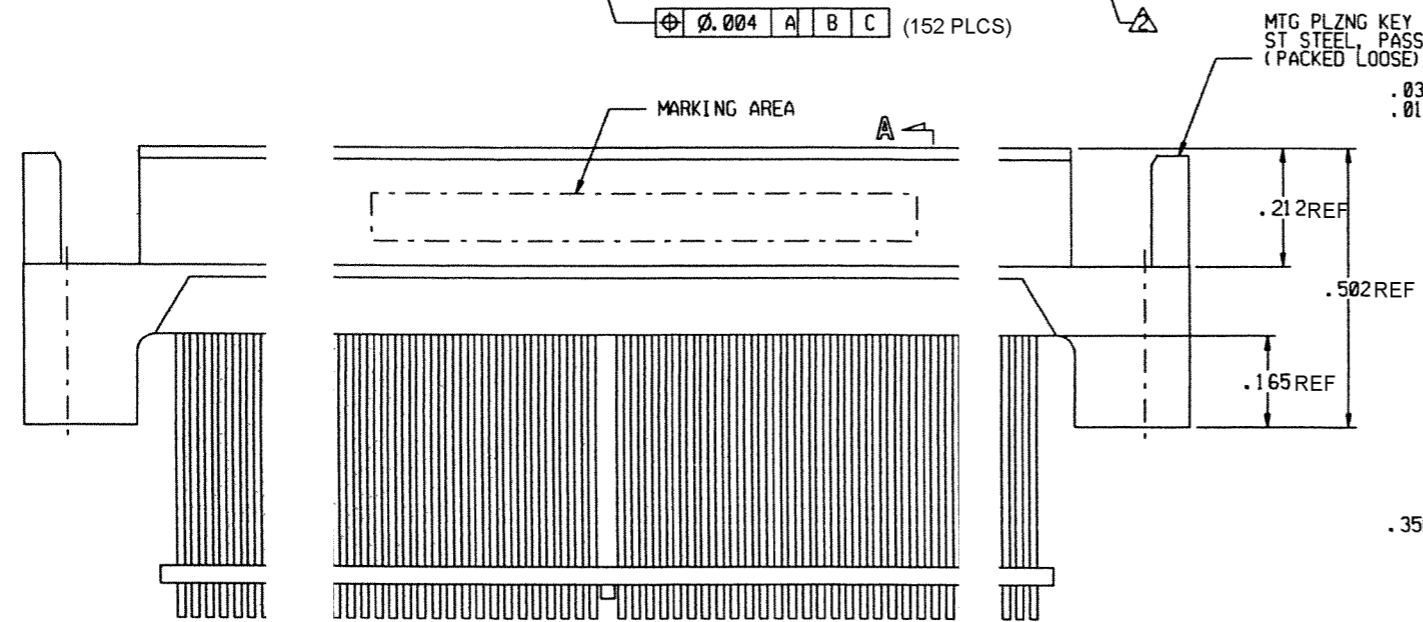
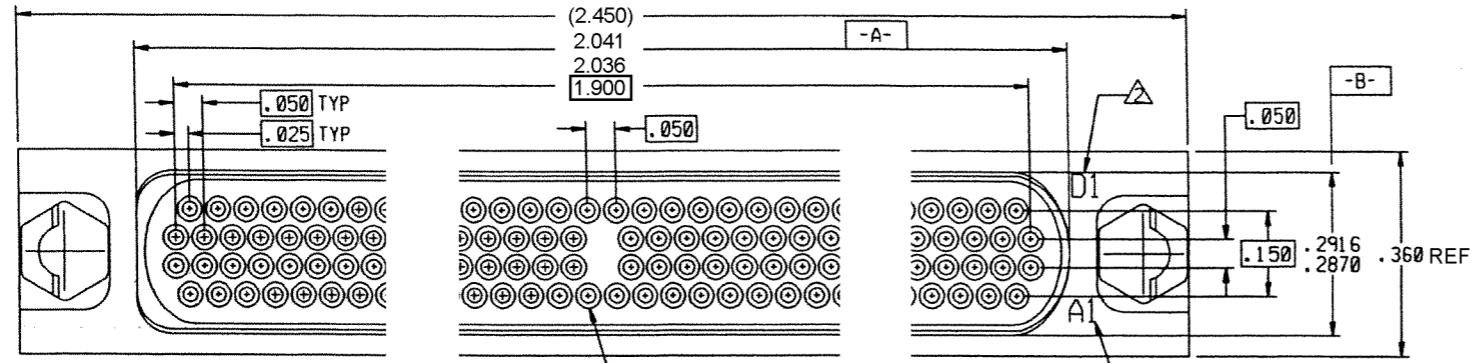



| REVISION | | | | | |
|----------|-----|-------|--------------|-------|----------|
| ZONE | LTR | ECN | DESCRIPTION | DATE | APPROVED |
| | A | 43094 | NEW RELEASE. | 2/7/6 | TL |



- NOTES: UNLESS OTHERWISE SPECIFIED
- MARK PER TPD.
 - IDENTIFY END CAVITIES AS SHOWN.
 - EPOXY AS SHOWN USING E&C STYCAST WITH CAT 9 AND/OR E&C STYCAST WITH CAT 11.
 - CRIMP LEADS INTO CONTACTS PER MEP 302-05.

TYCO CUSTOMER DWG: 1-1532164-7

| | | | | |
|---|---|----------|---|---|
| UNLESS OTHERWISE SPECIFIED DIMENSIONS ARE IN INCHES. TOLERANCE ARE: FRACTIONS DECIMALS ANGLES ± 1/8 .XX ± .01 ± 2° .XXX ± .005 | APPROVALS | |  MICRODOT CONNECTORS A DIVISION OF UNI-STAR INDUSTRIES INC. 306 PASADENA AVE., SO. PASADENA, CA 91030 | PROD CODE G605 |
| | SIGNATURE | DATE | | |
| MATERIAL: | DRAWN | TONY LEE | 2/7/6 | HDSM1-152LZA |
| | CHECKED | | | |
| | PRO. ENG. | | | |
| FINISH: | APPROVED | | | SIZE B CODE IDENT NO. 98278 DRAWING NO. 1-1532164-7 =095-0091-1010 |
| | THIS DOCUMENT IS THE PROPERTY OF MICRODOT CONNECTORS, A DIVISION OF UNI-STAR INDUSTRIES INC. USE OF THIS DOCUMENT OR ANY PART THEREOF IS STRICTLY FORBIDDEN WITHOUT THE EXPRESS WRITTEN PERMISSION OF MICRODOT CONNECTORS, A DIVISION OF UNI-STAR INDUSTRIES INC. | | SCALE: NONE | |