

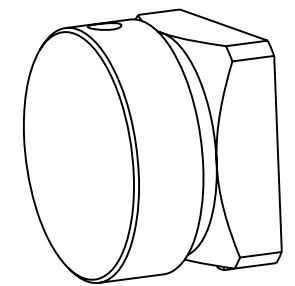
NOTES:

1. MATERIALS AND FINISHES:  
 BODY & CONTACT - BRASS, GOLD PLATING  
 INSULATOR - LCP E130i  
 CAP - PTFE, NATURAL
2. ELECTRICAL:  
 A. IMPEDANCE: 50 OHM  
 B. FREQUENCY RANGE: DC - 18 GHz  
 C. VSWR (RETURN LOSS): 1.10 MAX. (-26.4 dB MIN.) @ DC-6 GHz  
 1.15 MAX. (-23.1 dB MIN.) @ 6-10 GHz  
 1.30 MAX. (-17.7 dB MIN.) @ 10-18 GHz  
 D. DIELECTRIC WITHSTANDING VOLTAGE: 500 VRMS, MIN.  
 CONNECTOR ONLY, PERFORMANCE WILL VARY  
 BASED ON BOARD LAYOUT
3. MECHANICAL:  
 A. DURABILITY: 1000 CYCLES MIN.  
 B. TEMPERATURE RANGE: -65°C TO +165°C  
 C. ENGAGEMENT FORCE: 2 LBS (9 N) MAX.  
 D. DISENGAGEMENT FORCE: 0.5 LBS (2.2 N) MIN.
4. PACKAGING:  
 A. QUANTITY: TAPE & REEL PACKAGING, 1000 PCS/REEL  
 B. MARKING: REEL TO BE MARKED:  
 "AMPHENOL RF, SMP-MSCM-PCS11T, AND DATE CODE"

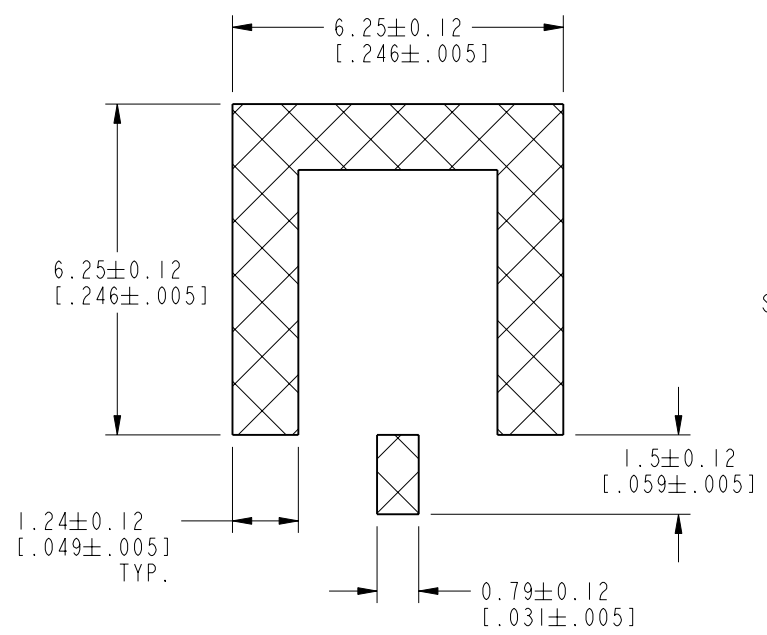
THIRD ANGLE PROJ.

REVISIONS

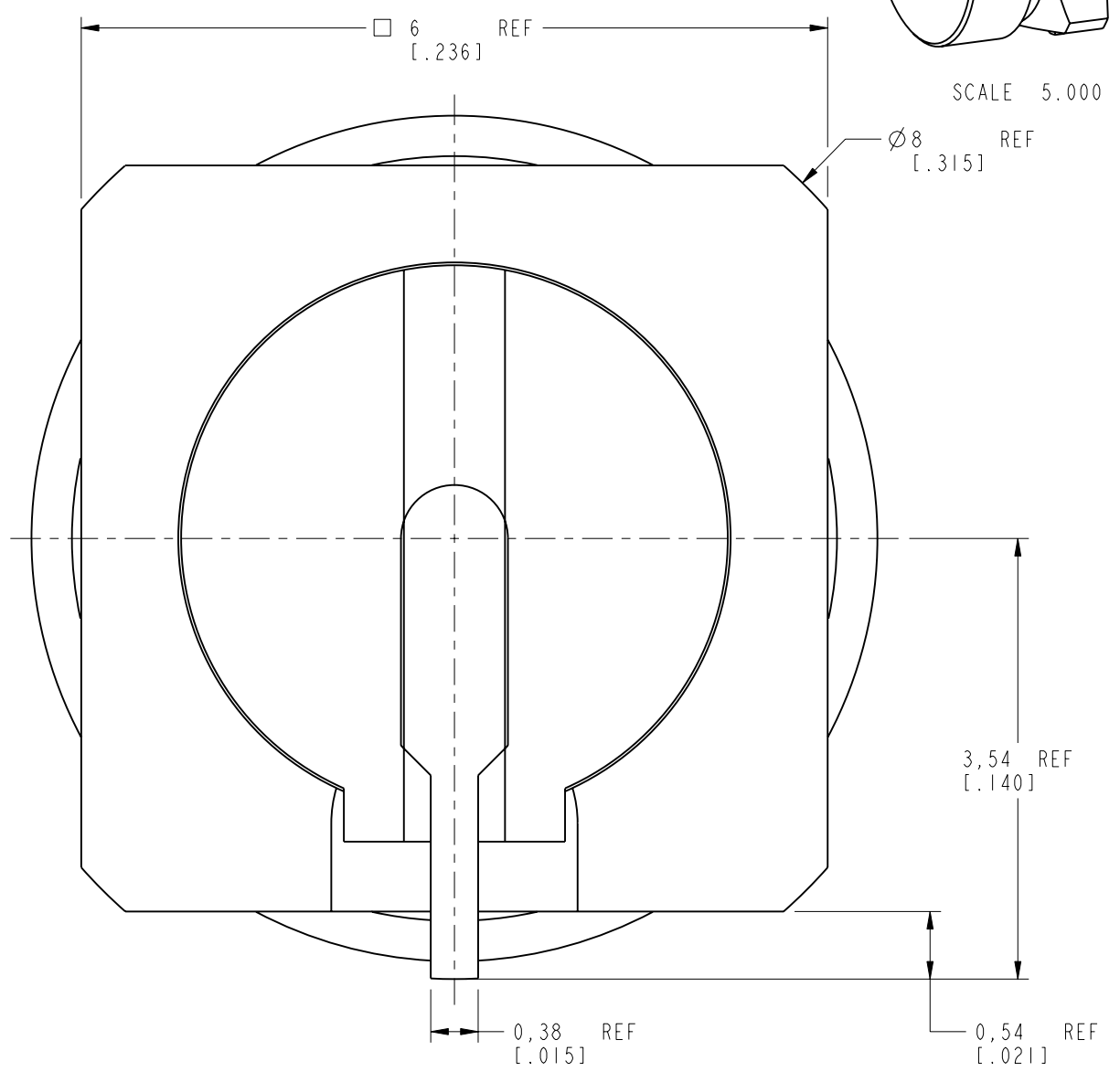
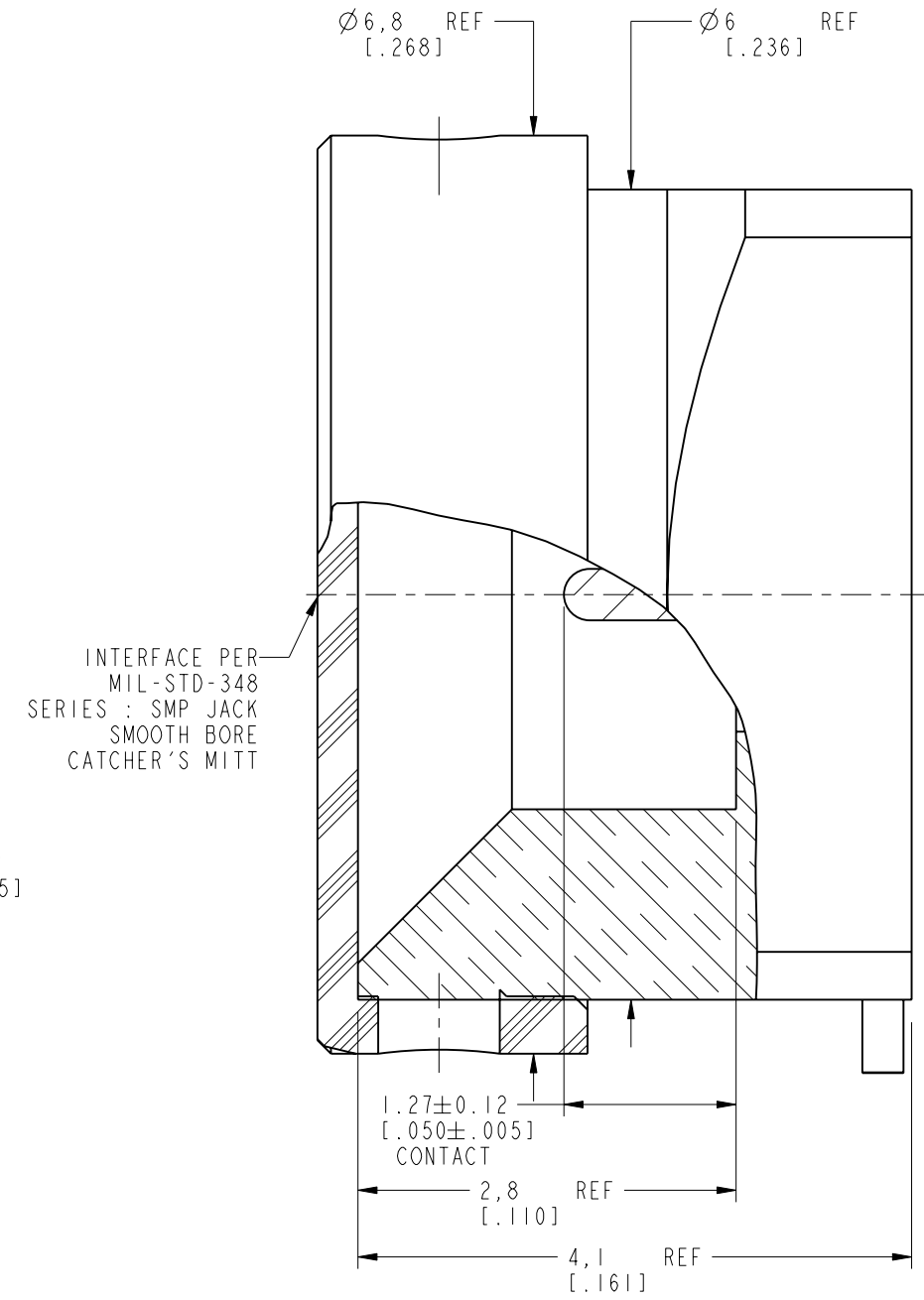
REV	DESCRIPTION	DATE	ECO	APPR
A	RELEASE TO MFG.	07-Jun-18	08221	BMG



SCALE 5.000



**RECOMMENDED PCB LAYOUT DIMENSIONS**



**CUSTOMER OUTLINE DRAWING**  
 ALL OTHER SHEETS ARE FOR INTERNAL USE ONLY

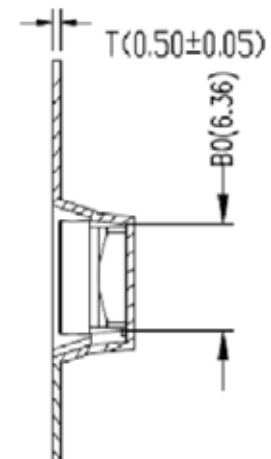
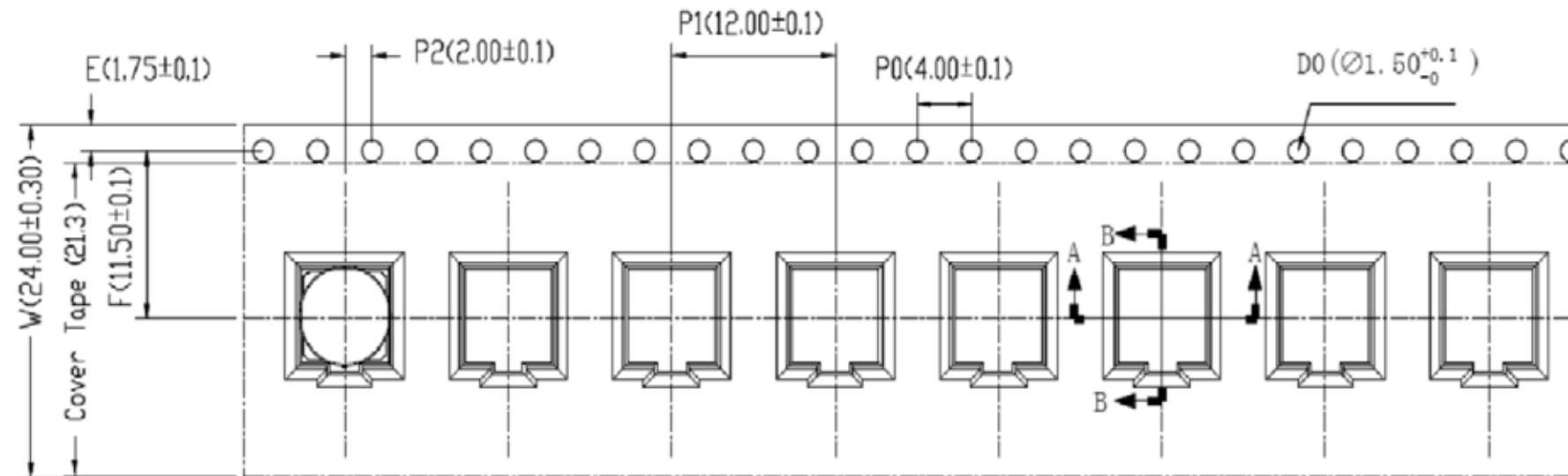
UNLESS OTHERWISE SPECIFIED, DIMENSIONS ARE IN METRIC AND TOLERANCES ARE: <0.5mm ±0.05mm    0.5 - 6mm ±0.1mm    6 - 30mm ±0.2mm    30 - 120mm ±0.3mm    ANGLES ±1°	MATERIAL	DRAWN	DATE	TITLE SMP STR JACK SMOOTH BORE CATCHER'S MITT SURFACE MOUNT SCALE: 18.0:1.0 SHEET 2 OF 3 DWG SIZE B    REV A	Amphenol RF www.amphenolrf.com
	SEE NOTES	STAR	12-Jun-18		
NOTICE - These drawings, specifications, or other data (1) are, and remain the property of Amphenol corp. (2) must be returned upon request; and (3) are confidential and not to be disclosed to any person other than those to whom they are given by Amphenol Corp. the furnishing of these drawings, specifications, or other data by Amphenol Corp., or to any other person to anyone for any purpose is not to be regarded by implication or otherwise in any manner licensing, granting rights to permitting such holder or any other person to manufacture, use or sell any product, process or design, patented or otherwise, that may in any way be related to or disclosed by said drawings, specifications, or other data.	REFERENCE	ENGINEER	DATE	DRAWING NO. SMP-MSCM-PCS11T ITEM NO. SMP-MSCM-PCS11T	
	EAR #8023 AND SMP-MSCM-PCS-10	SUNDE	12-Jun-18		
	CONFIGURATION LEVEL: In Work	APPROVED	DATE	PART NO. SMP-MSCM-PCS11T	
FINISH	S.HSIEH	12-Jun-18			

THIRD ANGLE PROJ.

REVISIONS

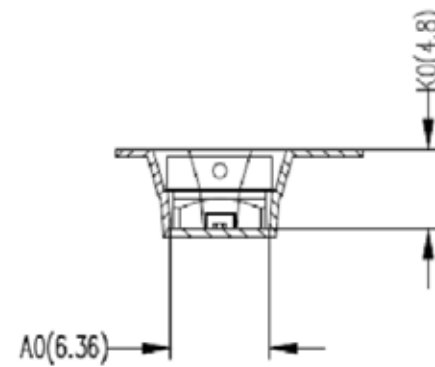
REV	DESCRIPTION	DATE	ECO	APPR
A	RELEASE TO MFG.	07-Jun-18	08221	BMG

零件图



SECTION B-B

载带卷料方向



SECTION A-A

Notes:

- 10 sprocket hole pitch cumulative tolerance  $\pm 0.20\text{mm}$   
(每10个链轮齿孔径累计公差为 $\pm 0.2\text{MM}$ )
- Carrier camber not to exceed 1mm in 250mm.  
(传送料带弯曲变形度每250MM不超过1MM)
- A<sub>0</sub> and B<sub>0</sub> measured on a plane 0.3mm above the bottom of the pocket. (A<sub>0</sub>与B<sub>0</sub>在同一平面测量且距口袋底部0.3MM)
- K<sub>0</sub> measured from a plane on the inside bottom of the pocket to the top surface of the carrier.  
(K<sub>0</sub>为口袋底部与材料表面的平面距离。)
- All dimensions meet EIA-481-D requirements.  
(所有尺寸符合EIA-481-D标准要求。)
- Material: Black Antistatic polystyrene.  
(材料: 黑色抗静电聚苯乙烯。)
- Thickness:  $0.50 \pm 0.05 \text{ mm}$ .  
(厚度:  $0.50 \pm 0.05$ 毫米。)
- Packing length per 13" reel : 12.96Meters.  
(每个13"卷轴包装长度为12.96米。)
- Component loader per 13" reel : 1000 pcs.  
(每个13"卷轴可装1000个零件。)

注:未注公差为 $\pm 0.10$

NOTE: ALL TOLERANCES ARE:  $\pm 0.10$ , EXCEPT WHERE NOTED

ITEM	W	A <sub>0</sub>	B <sub>0</sub>	K <sub>0</sub>	K <sub>1</sub>	P <sub>1</sub>	F	E	D <sub>0</sub>	D <sub>1</sub>	P <sub>0</sub>	P <sub>2</sub>	T
DIM	24±0.3	6.36±0.1	6.36±0.1	4.8±0.1		12.0±0.1	11.5±0.1	1.75±0.1	1.5±0.1		4.0±0.1	2.0±0.1	0.5±0.05

UNLESS OTHERWISE SPECIFIED, DIMENSIONS ARE IN METRIC AND TOLERANCES ARE:  
 < 0.5mm ± 0.05mm    0.5 - 6mm ± 0.1mm    6 - 30mm ± 0.2mm    30 - 120mm ± 0.3mm    ANGLES ± 1°

NOTICE - These drawings, specifications, or other data (1) are, and remain the property of Amphenol corp. (2) must be returned upon request; and (3) are confidential and not to be disclosed to any person other than those to whom they are given by Amphenol Corp. the furnishing of these drawings, specifications, or other data by Amphenol Corp., or to any other person to anyone for any purpose is not to be regarded by implication or otherwise in any manner licensing, granting rights to permitting such holder or any other person to manufacture, use or sell any product, process or design, patented or otherwise, that may in any way be related to or disclosed by said drawings, specifications, or other data.

MATERIAL	SEE NOTES
REFERENCE	EAR #8023 AND SMP-MSCM-PCS-10
CONFIGURATION LEVEL:	In Work
FINISH	

DRAWN	STAR	DATE	12-Jun-18
ENGINEER	SUNDE	DATE	12-Jun-18
APPROVED	S. HSIEH	DATE	12-Jun-18
CAD FILE			

TITLE	SMP STR JACK SMOOTH BORE CATCHER'S MITT SURFACE MOUNT
SCALE:	19.0:1.0
SHEET	3 OF 3
DWG SIZE	B
REV	A

Amphenol RF	
www.amphenolrf.com	
DRAWING NO.	SMP-MSCM-PCS11T
ITEM NO.	SMP-MSCM-PCS11T
PART NO.	SMP-MSCM-PCS11T