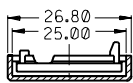
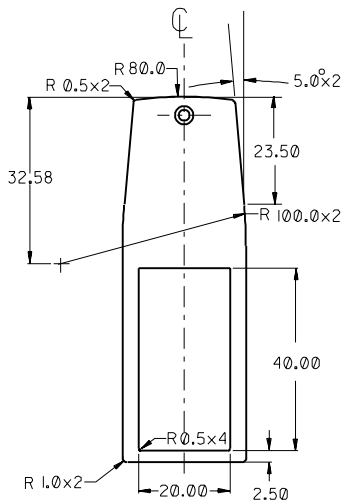
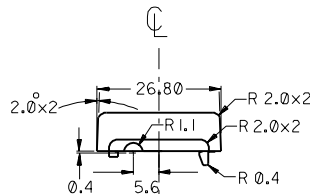
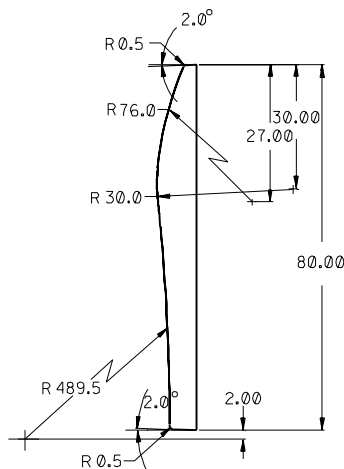


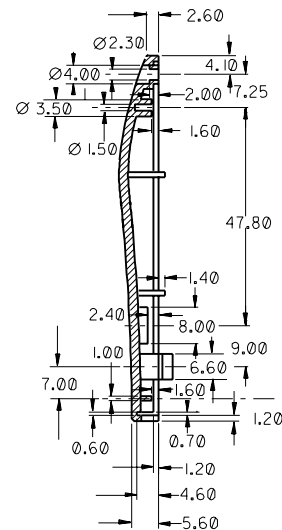
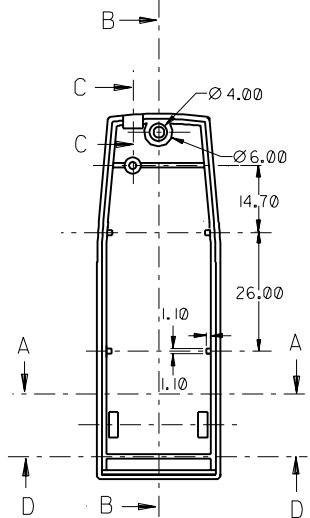
SEC:A-A



SEC:D-D



SEC:C-C



SEC:B-B

TOLERANCE : ±0.1  
 COLOR : BLACK

				MATERIAL : ABS,UL94V-0		<b>MOLEX TAIWAN LTD.</b> SHEET 1 OF 1	
D	REV.PER ECN TA95-157	JWU	950516	FINISH :			
C	REV.PER ECN TA94-242	SAM	941215	WIRE RANGE :		GENERAL TOLERANCES ANGLE : ± 3° DIM : ± .25/0.10	
B	REV.PER ECN TA94-009	EWA	940119	INS. RANGE :		ENG. NO.:	SDE-89500-0022
A	REV.PER ECN TA93-233	EWA	931103			REV	D
3	REV.PER ECN TA93-029	JYC	930229	DRAWN BY JYC		TITLE :	
2	REV.PER ECN TA93-016	JYC	930202	CHK'D BY		PCMCIA TYPE II MEMORY CARD, FRAME KIT.(LOW-LID)	
1	RELEASE PER ECN TA93-012	JYC	930120	APPR'D BY		SCALE 1 : 1	
LTR REVISION RECORD ECN DR DATE				REVISE ONLY ON CAD SYSTEM			

DO NOT SCALE DRAWING

CAD FILE : S8950022

SIMILAR ITEM

EDP NO.

ENG. NO SDE-89500-0022

8

7

6

5

4

3

2

1

F

E

D

C

B

A