

4

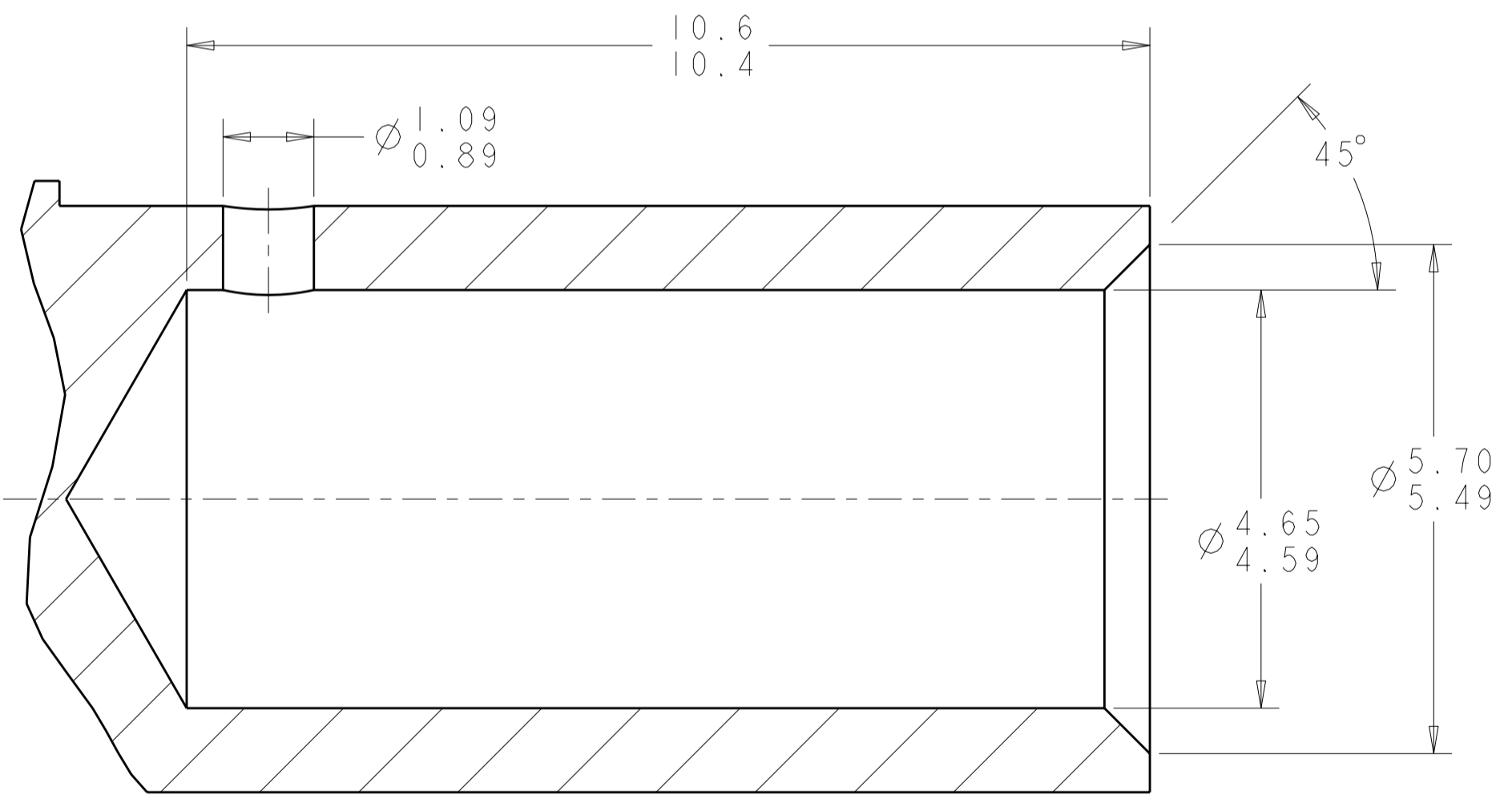
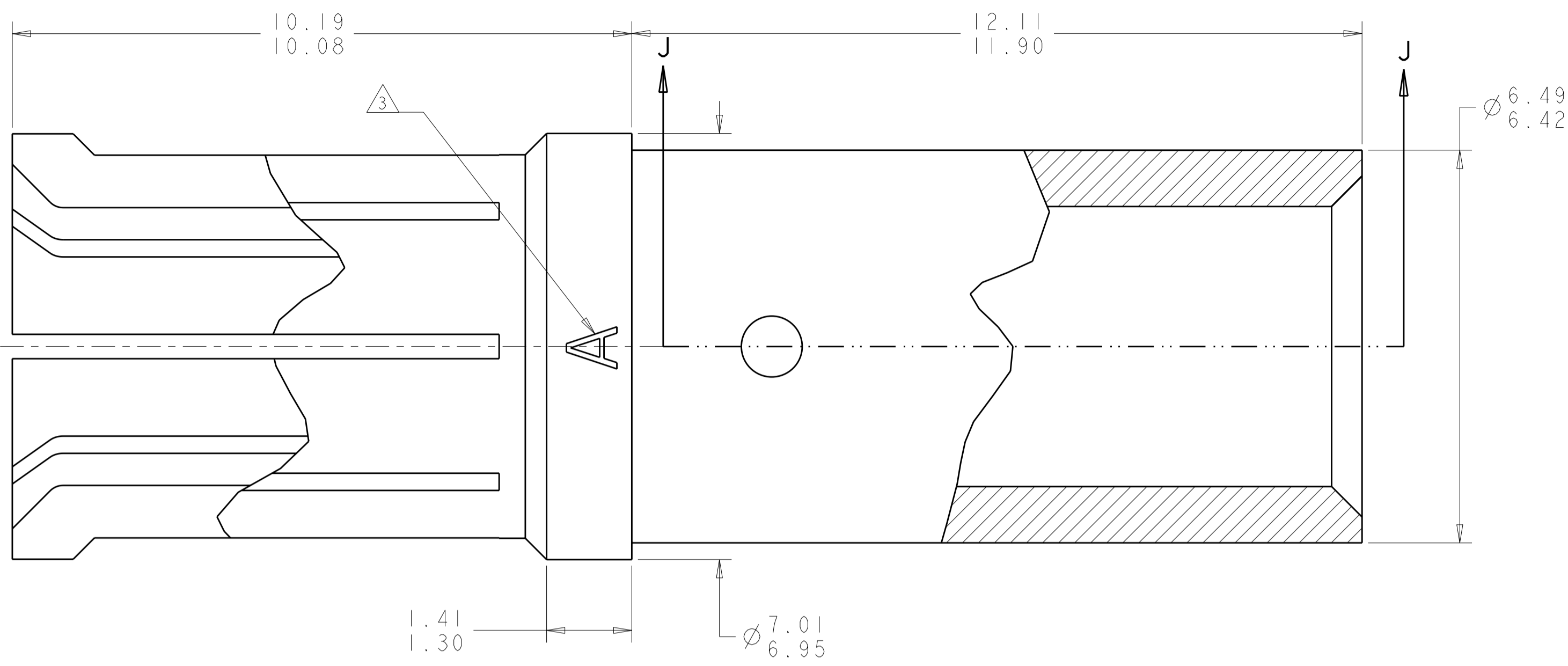
3

2

1

THIS DRAWING IS UNPUBLISHED. RELEASED FOR PUBLICATION 20
 © COPYRIGHT 20 BY TYCO ELECTRONICS CORPORATION. ALL RIGHTS RESERVED.

LOC	DIST	REVISIONS			
P	LTR	DESCRIPTION	DATE	DWN	APVD
DF	A5				
		1 DRAWN			



- ① COPPER ALLOY PER ASTM B196
- ② 1.27µm MIN GOLD PER ASTM B488 OVER 2.54µm MIN NICKEL PER QQ-N-290 ON ENTIRE STOCK.
- ③ OPTIONAL ALTERNATE MARKING: LETTER "S"
- 4. WIRE ACCOMMODATED 8-10 AWG STRIP LENGTH 9.6mm - 10.10mm
- 5. APPLICATION TOOLONG:
 CRIMP TOOL: M22520/23-01
 DIE SET: M22520/23-02
 LOCATOR: TYCO ELECTRONICS P/N 1738331-1
 EXTRACTION TOOL: M81969/28-01
- 6. THIS PRODUCT IS SOLD BY TYCO ELECTRONICS UNDER A LICENSE FROM RADIALL SA.

SECTION J-J

1954722-1
 PART NUMBER

THIS DRAWING IS A CONTROLLED DOCUMENT FOR TYCO ELECTRONICS CORPORATION. IT IS SUBJECT TO CHANGE AND THE CONTROLLING ENGINEERING ORGANIZATION SHOULD BE CONTACTED FOR THE LATEST REVISION.		DWN	BH	17JAN2007	Tyco Electronics Harrisburg, PA 17105-3608
DIMENSIONS: mm		CHK	JPM	17JAN2007	
TOLERANCES UNLESS OTHERWISE SPECIFIED: 0 PLC ±- 1 PLC ±0.1 2 PLC ±0.05 3 PLC ±- 4 PLC ±- ANGLES ±1 FINISH		APVD	JPM	17JAN2007	
MATERIAL ① -		PRODUCT SPEC		NAME POWER CONTACT, SOCKET, CRIMP TERMINATION, SIZE 5, GPR	
② -		APPLICATION SPEC		SIZE CAGE CODE DRAWING NO RESTRICTED TO	
		WEIGHT -		A200779C-1954722	
CUSTOMER DRAWING		SCALE 15:1		SHEET OF REV	