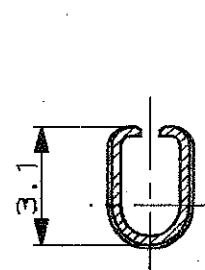
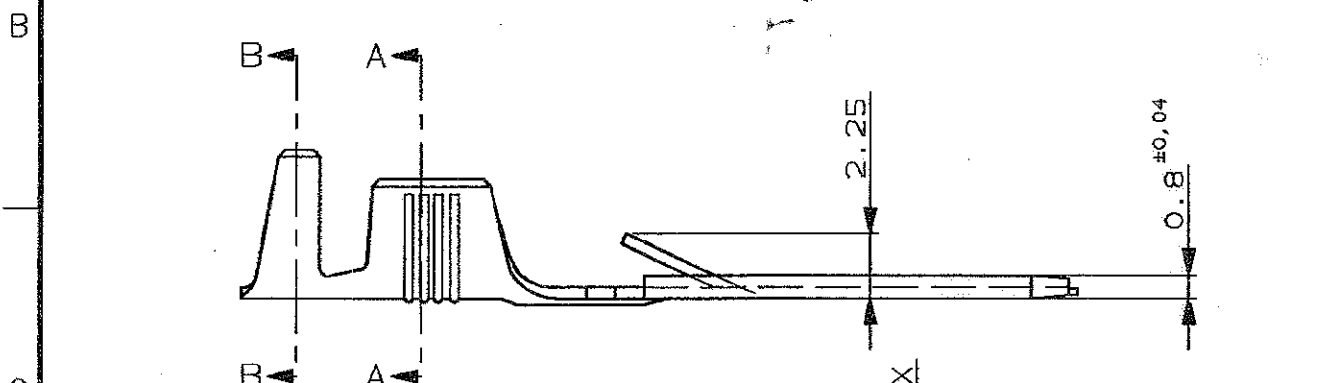
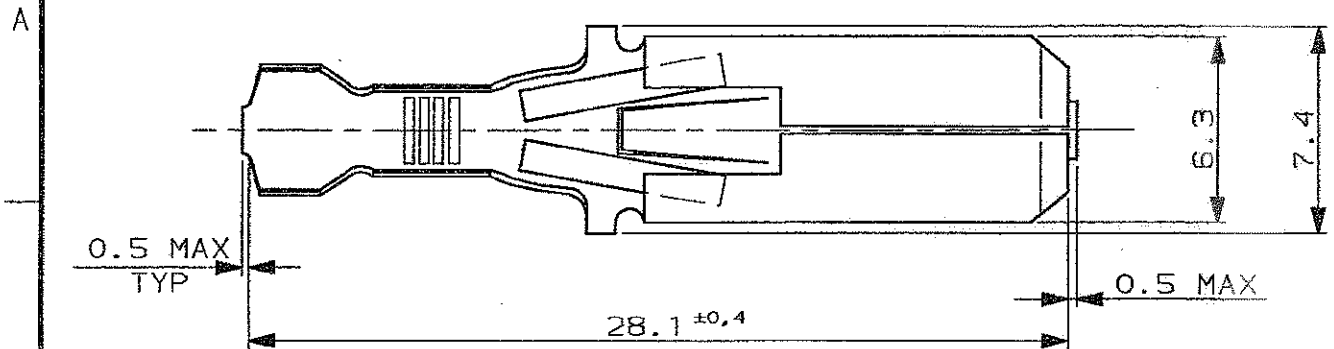


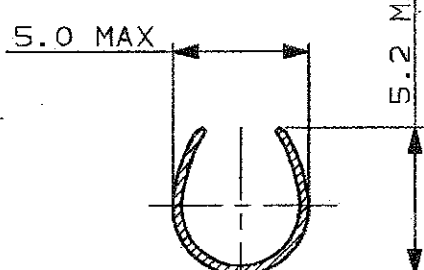
SCALA NON IMPEGNATIVA
 (DO NOT SCALE)
 DIMENSIONI IN mm
 (DIMENSIONS IN mm)

METRIC

PROIEZIONE EUROPEA
 (EUROPEAN PROJECTION)



SECTION A-A



SECTION B-B

OBSOLETE

ARGENTATO (SILVER PLATED)	BRONZO FOSFOROSO (PHOSFOR BRONZE)	160451-3
STAGNATO (TIN PLATED)	BRONZO FOSFOROSO (PHOSFOR BRONZE)	160451-2
NUDO (PLAIN)	BRONZO FOSFOROSO (PHOSFOR BRONZE)	160451-1
FINITURA / COLORE (FINISH / COLOUR)	MATERIALE (MATERIAL)	NUMERO (PART NUMBER)

CUSTOMER DWG.
 FOR REFERENCE ONLY

DISEGNO PER CLIENTE
 SOLO PER RIFERIMENTO

THIS DRAWING IS UNPUBLISHED | RELEASE FOR PUBLICATION 19
 © COPYRIGHT 19 BY TE INCORPORATED, HARRISBURG, PA. ALL INTERNATIONAL RIGHT RESERVED. TE PRODUCTS MAY BE COVERED BY U.S. AND FOREIGN PATENT AND/OR PATENT PENDING

TOLLERANZE, SE NON DIVERSAMENTE SPECIFICATO (TOLERANCES, UNLESS OTHERWISE SPECIFIED) ± 0.3	DIAM. ISOLANTE (INS. DIA. RANGE) 3.1-4.1mm	RANGO FILO (WIRE RANGE) 0.8-2.1mm ²	SCALA (SCALED) ---
ANGOLI (ANGLES) ± 2°	TE TE Connectivity		

DISTRIBUZIONE
(PRINT DIST.)

D1	ECR-10-022530	KK	03FEB11
D	UNIFY CUST. TO PROD. DWG REV.		
O	REDRAWN BY CAD PER ET00-0041-01	P.Z.	
REV.	REVISIONI (REVISION RECORD)	DIS. DATA (DR) (DATE)	APP. (APP.)

DIS. (DR.)	P. ZAMPIROLO 01-02-2001	DESCRIZIONE (DESCRIPTION)	.250 SERIES FASTIN FASTON TAB (LOOSE PIECE)		
CONT. (CHK)	R. MARTINI 01-02-2001	LOC.	SIZE	NUMERO (DWG NO)	REV.
		I	A4	C-160451	D1
					FOGLIO (SHEET) 1 DI (OF) 1