

## GENERAL DESCRIPTION

The SOLO series 9188 is a one-piece connector used to connect two PCBs in a cost effective manner.

A standard range is available with 4, 6, 8 staggered contacts to suit stack heights of 1.1mm to 2.1mm (see table below).

SOLO Stacker is designed for PCB surface mounting and is supplied in tape and reel packaging. Gold plated pads on the mating PCB or suitable flex circuits provide connection between the two boards.

## APPLICATIONS

Suitable applications include:

- Handheld Devices:
  - Phones
  - Scanners
  - Radios
  - Medical Diagnostic
  - Security Devices

## KEY FEATURES AND BENEFITS

Single piece connector – no mating half required to connect two boards together which means:

- Reduced assembly time
- Only one part to purchase and stock
- Due to the unique contact design, the mating device does not have to be parallel
- Helps reduce tolerance accumulation within system



## HOW TO ORDER

**00**  
|  
Prefix

**9188**  
|  
Series

**004**  
|  
No. of Ways

| Code | No. of Ways |
|------|-------------|
| 004  | 4           |
| 006  | 6           |
| 008  | 8           |

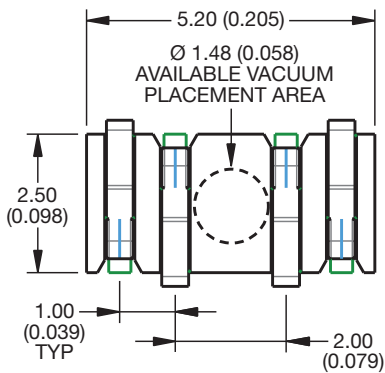
**012**  
|  
Stack Height

| Code | Height         | No. of Ways |
|------|----------------|-------------|
| 012  | 1.1mm to 1.3mm | 4 only      |
| 020  | 1.9mm to 2.1mm | 6 & 8 only  |

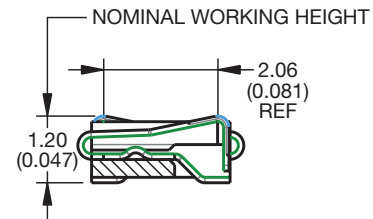
**062**  
|  
Plating Variation

06 = Selective Gold  
0.25µm  
Gold Plated  
Contact Nose,  
Pure Tin Tail  
No Bosses

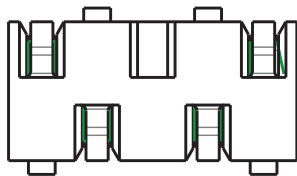
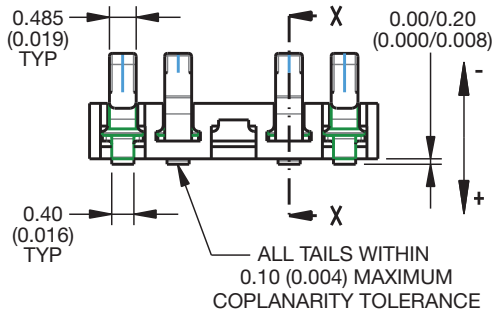
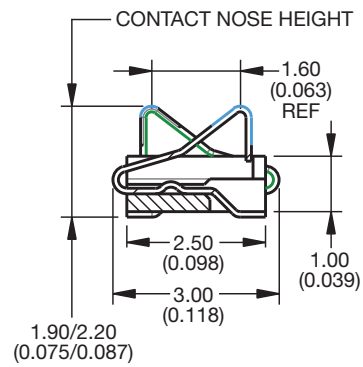
## 4 Way Staggered Stacker



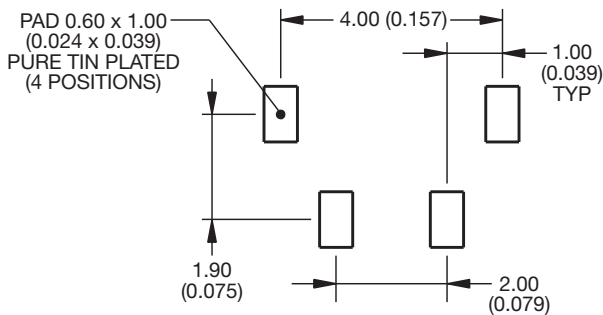
### MATING CONDITION



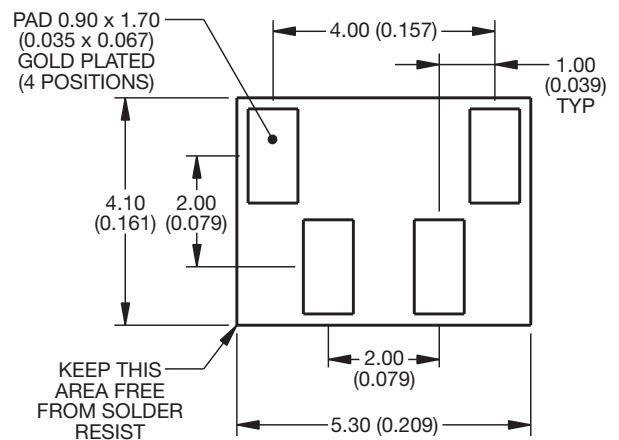
### SECTION ON X - X



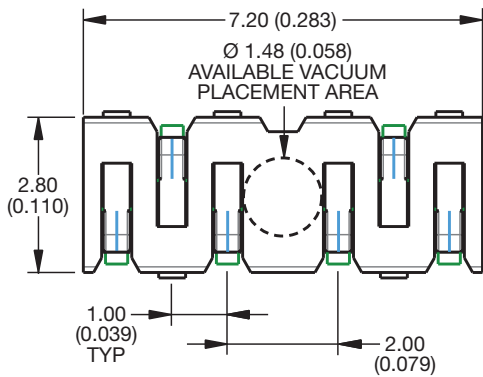
### SMT PCB FOOTPRINT



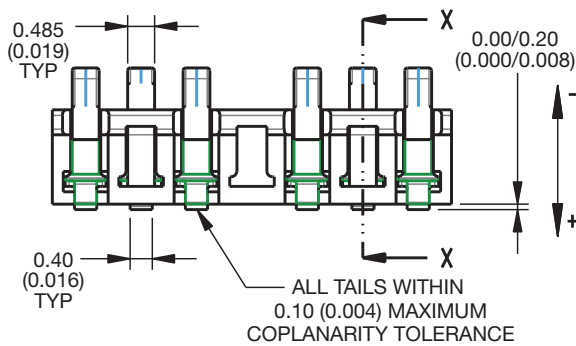
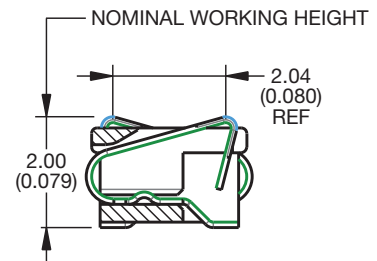
### MATING PCB FOOTPRINT



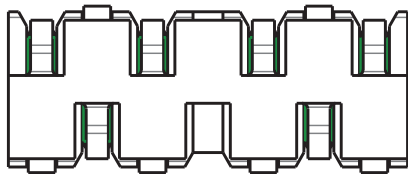
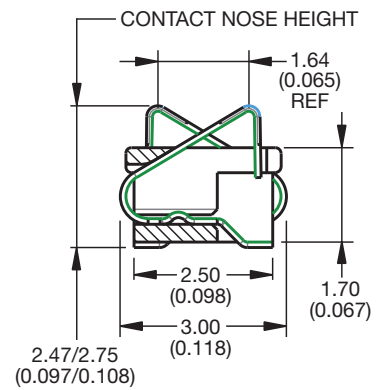
## 6 Way Staggered Stacker



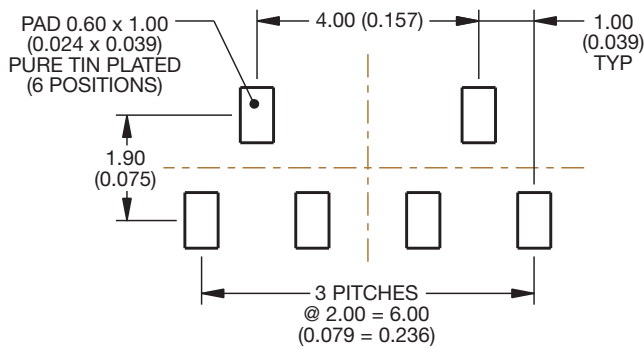
### MATING CONDITION



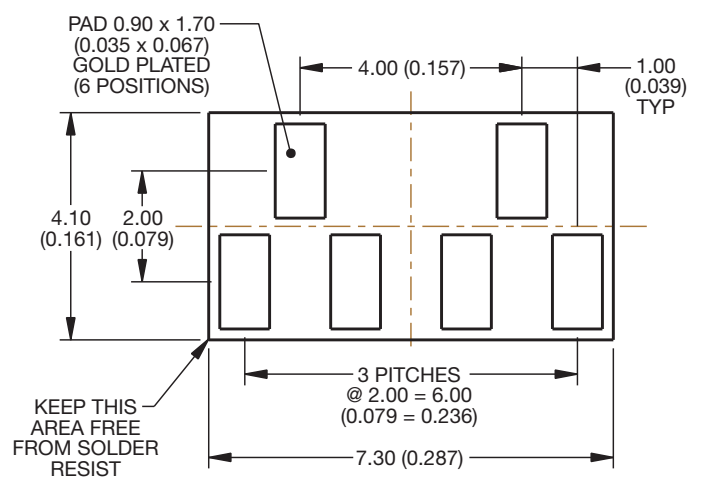
### SECTION ON X - X



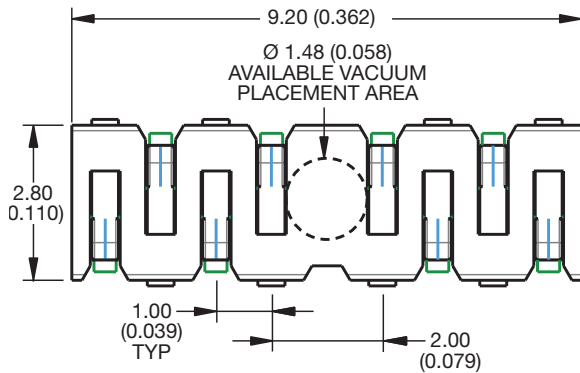
### SMT PCB FOOTPRINT



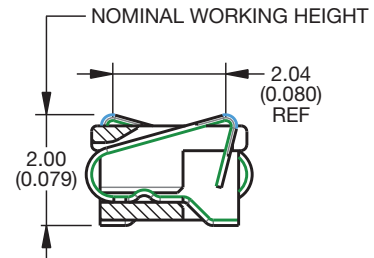
### MATING PCB FOOTPRINT



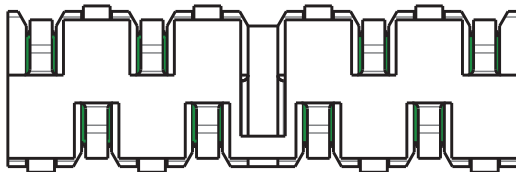
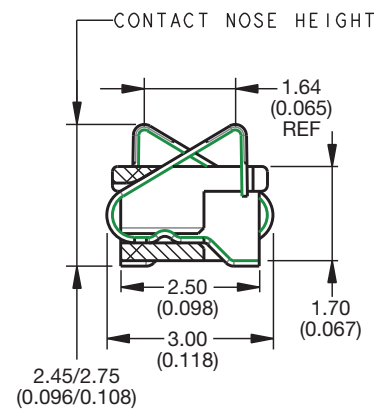
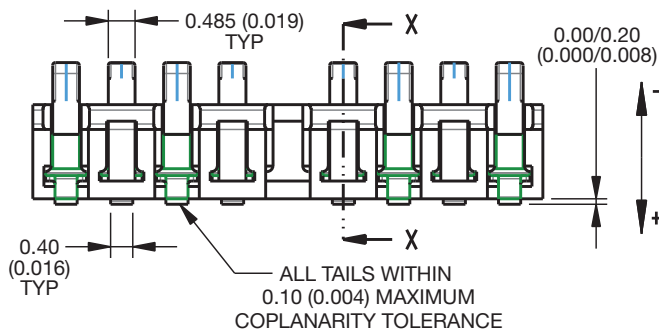
## 8 Way Staggered Stacker



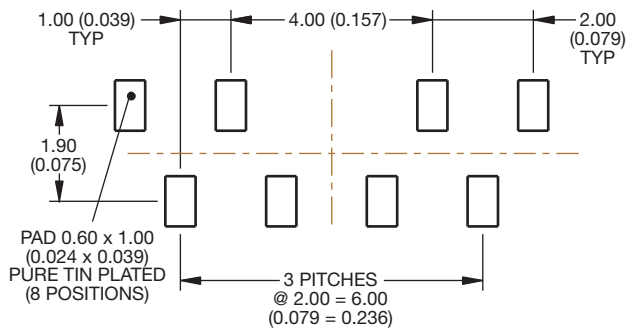
### MATING CONDITION



### SECTION ON X - X



### SMT PCB FOOTPRINT



### MATING PCB FOOTPRINT

