

CASE FINISH	CURRENT (AMPS)	WORKING VOLTAGE				MAXIMUM DC RESISTANCE (OHMS)	MAXIMUM VOLTAGE DROP		MINIMUM CAPACITANCE (uF)	MIN. INSERTION LOSS PER MIL-STD-220 FULL LOAD, +25°C												
		-55°C TO +85°C		-55°C TO +125°C			DC	AC		14	30	50	75	100	150	300	500	1	10	100	1	10
		AC	DC	AC	DC					KHz	KHz	KHz	KHz	KHz	KHz	KHz	KHz	MHz	MHz	MHz	GHz	GHz
SOLDER	15	----	250	----	200	0.005	0.075	--	1.4	--	15	--	--	--	28	34	--	45	60	70	70	--

**PART MARKING:**

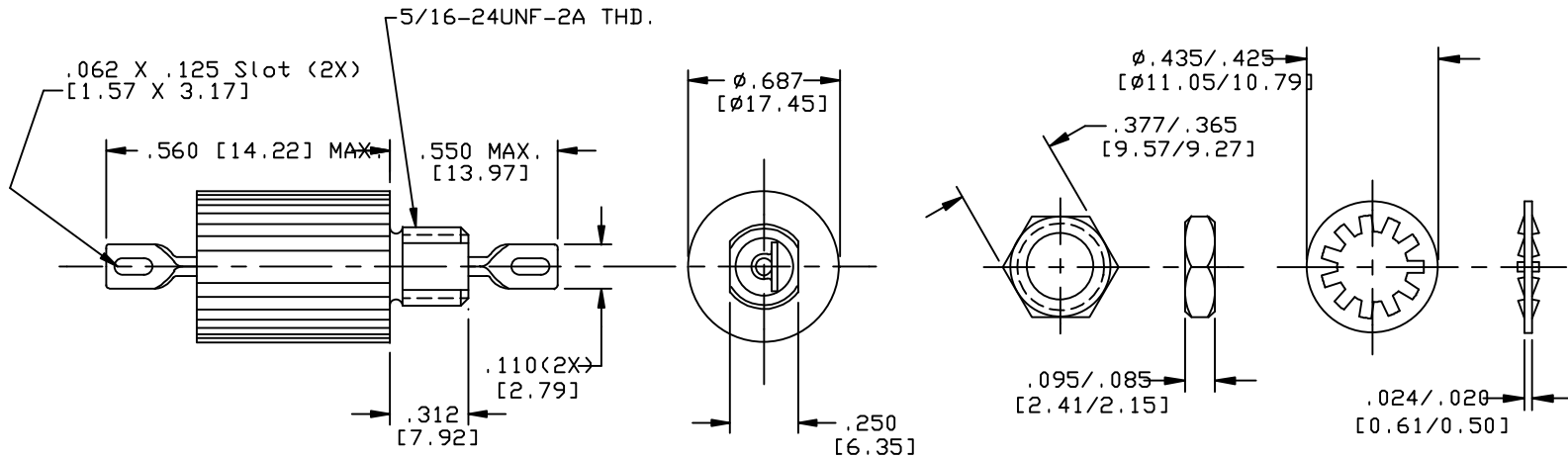
9932-100-6000  
SCI DATE CODE

**PACKAGE MARKING:**

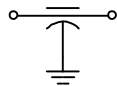
STANDARD

**MARKING NOTES:**

N/A



SCHEMATIC



MTG. HARDWARE

**NOTES:**

1) MOUNTING TORQUE NOT TO EXCEED 7lb-in.

										REV.	UNLESS OTHERWISE SPECIFIED DIMENSIONS ARE IN INCHES. [MILLIMETERS] DO NOT SCALE.	TOLERANCES UNLESS OTHERWISE SPECIFIED Fractions Dec. .xx± Dec. .xxx±010 Angles ±0° 30'	LESS THAN OTHERWISE SPECIFIED Dwn KAUFFMAN Ckd 7-29-97	Description Low Pass EMI Filter
										CN. 180702				
										02	CHANGED			
														9932-100-6000

Quality Products From The Specialists In Electro-Magnetic Compatibility