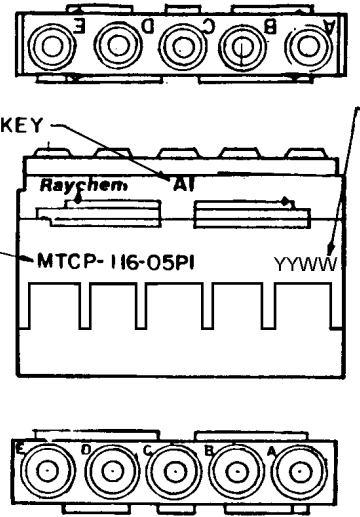
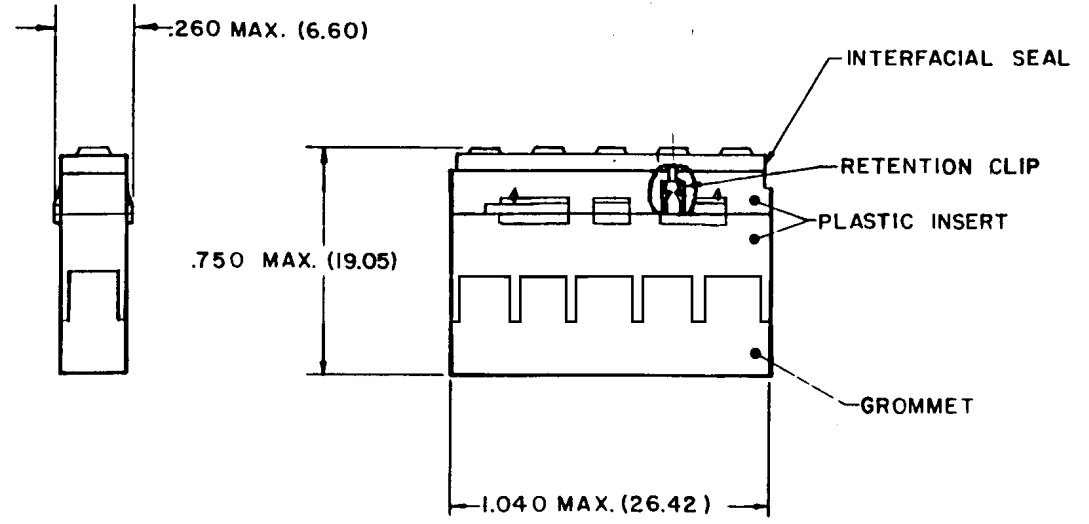
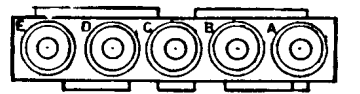
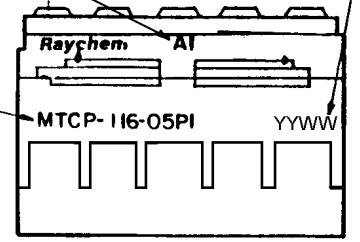


REVISIONS			
LTR	DESCRIPTION	DATE	APPROVED
B	RELEASED FOR PRODUCTION PER ECN T-013274	89 Nov 29	<i>B</i>
C	REVISE PER DCR# T-22766	4/16/99	M.HIGGY



1. HOUSING ORIENTATION KEY



- NOTES
- THIS INSERT IS DESIGNED FOR USE IN RAYCHEM CONNECTOR HOUSINGS MTC 100-JH1-XXX OR MTC 100-JH2-XXX (SEE RAYCHEM INFORMATION DRAWING D-659-0097 AND HOUSING SCD'S FOR FURTHER DETAILS)
 - USE MIL-C-38999 SERIES 2 SIZE 16 CONTACTS OR EQUIVALENT. REFERENCE D-659-0097 FOR INSERTION/REMOVAL TOOLS, SEALING PLUGS AND CRIMP TOOLS WHEN APPLICABLE. THESE COMPONENTS ARE TO BE ORDERED SEPARATELY.
 - GROMMET DESIGNED TO SEAL ON WIRES HAVING AN INSULATION DIAMETER OF .065 IN. (1.65 MM) TO .109 IN. (2.77 MM)
 - PERFORMANCE:
THIS PRODUCT MEETS THE REQUIREMENTS OF RAYCHEM SPECIFICATION D-6115
 - MATERIALS:
 A) PLASTIC INSERT HIGH GRADE POLYARYLENE THERMOPLASTIC
 B) GROMMET FLUROSILICONE PER MIL-R-25988
 C) INTERFACIAL SEAL FLUROSILICONE PER MIL-R-25988
 D) RETENTION CLIP BERYLLIUM COPPER 172 PER QQ-C-533

6. WEIGHT: 0.007 lbs [2.980 Grams] MAXIMUM. If this document is printed it becomes uncontrolled. Check with the web for latest revision.

SPECIFICATION CONTROL DRAWING

DRAWN	ALEXANDER	Raychem		RAYCHEM CORPORATION 300 CONSTITUTION DRIVE MENLO PARK, CALIFORNIA 94025	
CHECKED	<i>B</i>				
APPROVED	<i>Plain</i> 10-12-84	TITLE INSERT, PIN, PRIMARY 5 #16 CAVITIES POWER BLOCK CONNECTOR TEMPERATURE RATING 125°C MTC SERIES			
APPROVED	<i>Lamora</i> 10-24-84				
CAD NAME: T22766.TIF		SIZE	CODE IDENT. NO.	DWG. NO.	
UNLESS OTHERWISE SPECIFIED DIMENSIONS ARE IN INCHES. METRIC DIMENSIONS ARE IN PARENTHESIS		B	06090	MTCP-116-05PI	C
DO NOT SCALE THIS DRAWING		WEIGHT		SHEET OF	