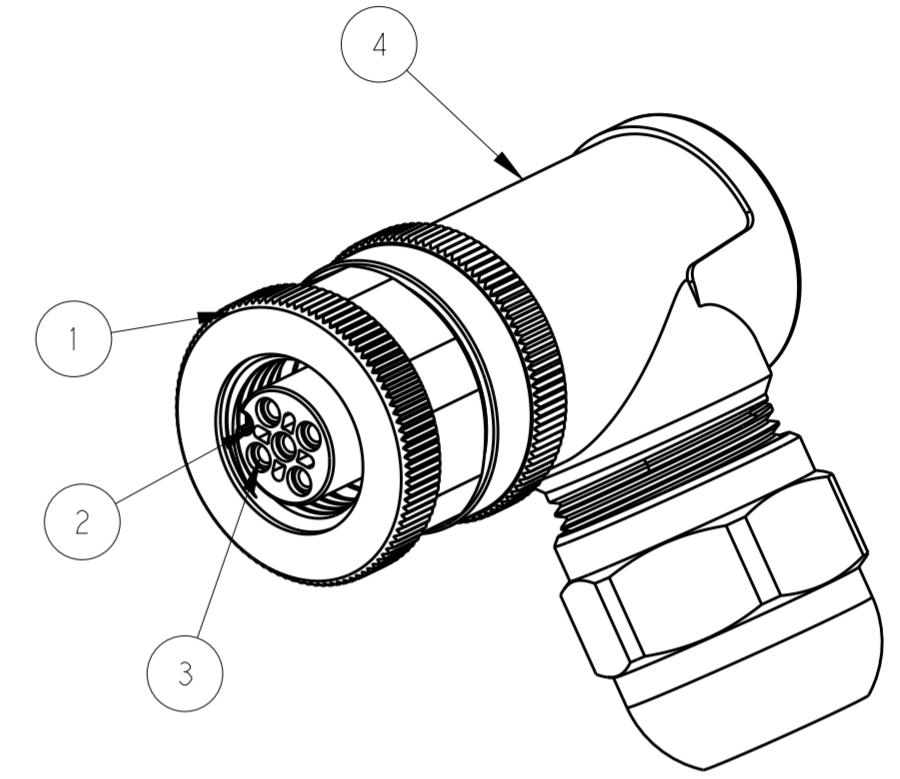
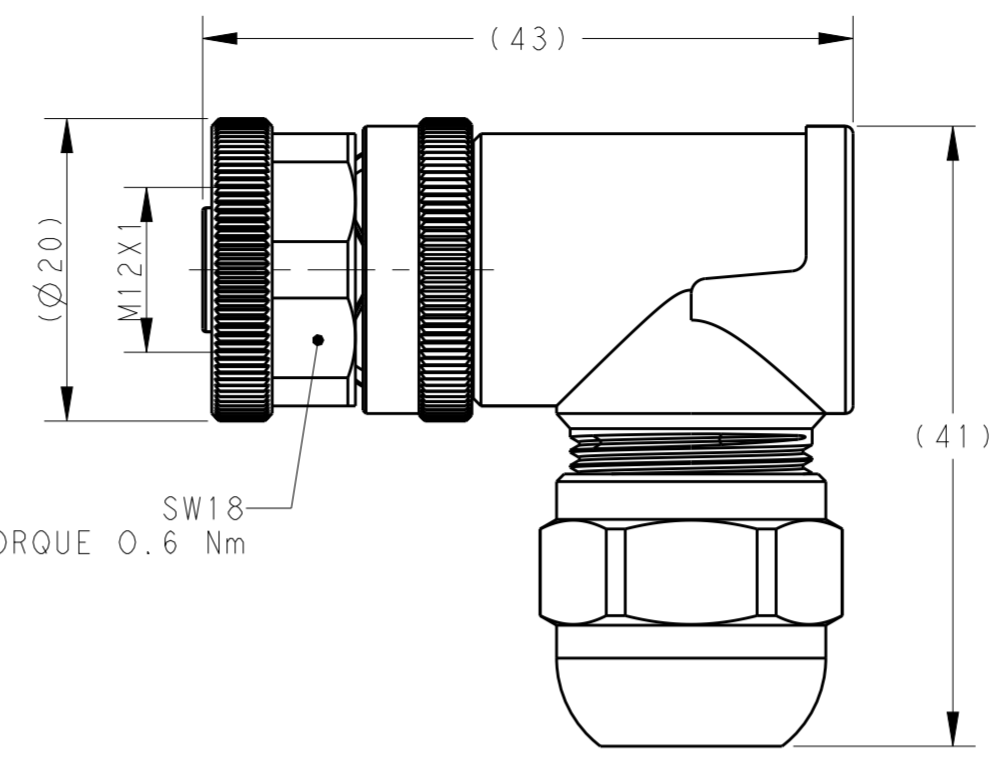
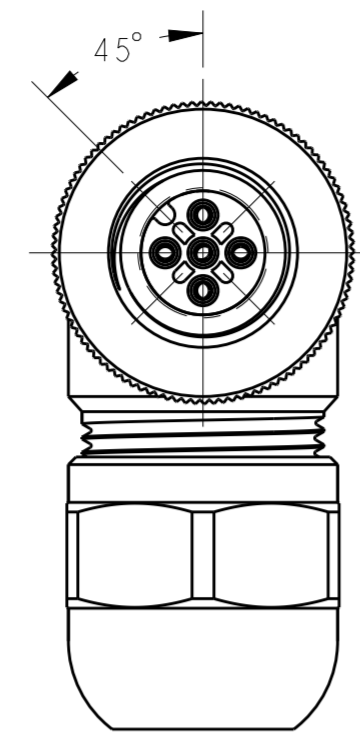


THIS DRAWING IS UNPUBLISHED. RELEASED FOR PUBLICATION 20
 © COPYRIGHT 20 BY - ALL RIGHTS RESERVED.

| REVISIONS | | | | |
|-----------|-----|-----------------|-----------|---------|
| P | LTR | DESCRIPTION | DATE | APVD |
| A | | INITIAL RELEASE | 25SEP2015 | N.P X.X |
| A1 | | ECR-16-013861 | 19OCT2016 | N.P X.X |
| A2 | | ECR-16-016026 | 14NOV2016 | N.P X.X |



| TECHNICAL DATA | T411201X02X-000 | T411201X03X-000 | T411201X04X-000 | T411201X05X-000 | T411201X08X-000 |
|-----------------------|-----------------|-----------------|-----------------|-----------------|-----------------|
| RATED VOLTAGE | 250V | 250V | 250V | 60V | 30V |
| RATED CURRENT | 4A | 4A | 4A | 4A | 2A |
| POLLUTION DEGREE | 3 | 3 | 3 | 3 | 3 |
| OVERVOLTAGE CATEGORY | II | II | II | II | II |
| MATERIAL GROUP | II | II | II | II | II |
| CONTACT RESISTANCE | ≤8mΩ | ≤8mΩ | ≤8mΩ | ≤8mΩ | ≤8mΩ |
| INSULATION RESISTANCE | >100MΩ | >100MΩ | >100MΩ | >100MΩ | >100MΩ |
| DEGREE OF PROTECTION | IP67 | IP67 | IP67 | IP67 | IP67 |
| OPERATION TEMPERATURE | -40~85°C | -40~85°C | -40~85°C | -40~85°C | -40~85°C |

- NOTE:
- MATERIAL:
 - ITEM NO.1:NUT -BRASS
 - ITEM NO.2:HOUSING -PA
 - ITEM NO.3:CONTACT -BRONZE
 - ITEM NO.4: HOUSING BODY: BRASS
 - CONTACT FINISH: GOLD OVER NICKEL OR SILVER OVER NICKEL
 - CABLE WIRES:
 - 18AWG/0.75mm² Max. FOR 2-5 PINS
 - 20AWG/0.50mm² Max. FOR 8 PINS
 - ALL DIMENSIONS ARE FOR NOMINAL REFERENCE ONLY UNLESS OTHERWISE STATED
 - PACKAGEING: IPIECE IN A BAG
 - PN INFORMATION

| PIN ARRANGEMENT A-CODE | | |
|------------------------|-----------------|-----------------|
| T411201X02X-000 | T411201X03X-000 | T411201X04X-000 |
| | | |
| | | |

| | |
|-----------------|-------------------------|
| T4112012081-000 | RPC-M12-FR-8CON-PG9-SHU |
| T4112011081-000 | RPC-M12-FR-8CON-PG7-SHU |
| T4112012082-000 | RPC-M12-FR-8CON-PG9-SH |
| T4112011082-000 | RPC-M12-FR-8CON-PG7-SH |
| T4112012051-000 | RPC-M12-FR-5CON-PG9-SHU |
| T4112011051-000 | RPC-M12-FR-5CON-PG7-SHU |
| T4112012052-000 | RPC-M12-FR-5CON-PG9-SH |
| T4112011052-000 | RPC-M12-FR-5CON-PG7-SH |
| T4112012041-000 | RPC-M12-FR-4CON-PG9-SHU |
| T4112011041-000 | RPC-M12-FR-4CON-PG7-SHU |
| T4112012042-000 | RPC-M12-FR-4CON-PG9-SH |
| T4112011042-000 | RPC-M12-FR-4CON-PG7-SH |
| T4112012031-000 | RPC-M12-FR-3CON-PG9-SHU |
| T4112011031-000 | RPC-M12-FR-3CON-PG7-SHU |
| T4112012032-000 | RPC-M12-FR-3CON-PG9-SH |
| T4112011032-000 | RPC-M12-FR-3CON-PG7-SH |
| T4112012021-000 | RPC-M12-FR-2CON-PG9-SHU |
| T4112011021-000 | RPC-M12-FR-2CON-PG7-SHU |
| T4112012022-000 | RPC-M12-FR-2CON-PG9-SH |
| T4112011022-000 | RPC-M12-FR-2CON-PG7-SH |
| TE PN | TYPE |

T411201XXXX-000

CONTACT FINISH:
 1: GOLD OVER NICKEL
 2: SILVER OVER NICKEL

NUMBERS OF PINS:
 02: 2 PINS
 03: 3PINS
 04: 4 PINS
 05: 5PINS
 08: 8 PINS

CABLE OUTLET:
 1: PG7(CABLE FEED: 4-6mm)
 2: PG9(CABLE FEED: 6-8mm)

| | | | | |
|--|--|-------------------------------|---|--|
| THIS DRAWING IS A CONTROLLED DOCUMENT. | | DWN Nick Pan 24AUG2015 | TE Connectivity | |
| | | CHK Kobby Zhao 24AUG2015 | | |
| DIMENSIONS: mm | | APVD Xiang Xu 24AUG2015 | NAME M12 FEMALE, A CODE, RA SHIELDED CONNECTOR SCREW TERMINAL | |
| TOLERANCES UNLESS OTHERWISE SPECIFIED: | | PRODUCT SPEC 108-106140 | SIZE A2 | |
| 0 PLC ± | | APPLICATION SPEC 114-137144 | CAGE CODE - | |
| 1 PLC ±0.25 | | WEIGHT - | DRAWING NO. C-T411201XXXX000 | |
| 2 PLC ±0.15 | | RESTRICTED TO - | | |
| 3 PLC ± | | SCALE 2:1 SHEET 1 OF 1 REV A2 | | |
| 4 PLC ± | | | | |
| ANGLES FINISH - | | | | |
| MATERIAL TBD | | | | |
| | | CUSTOMER DRAWING | | |