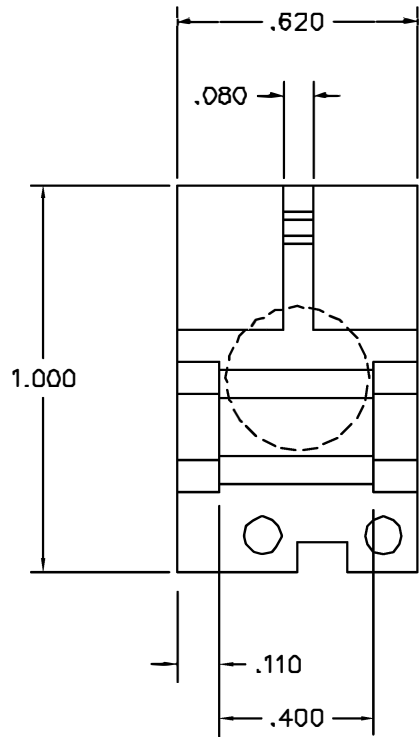
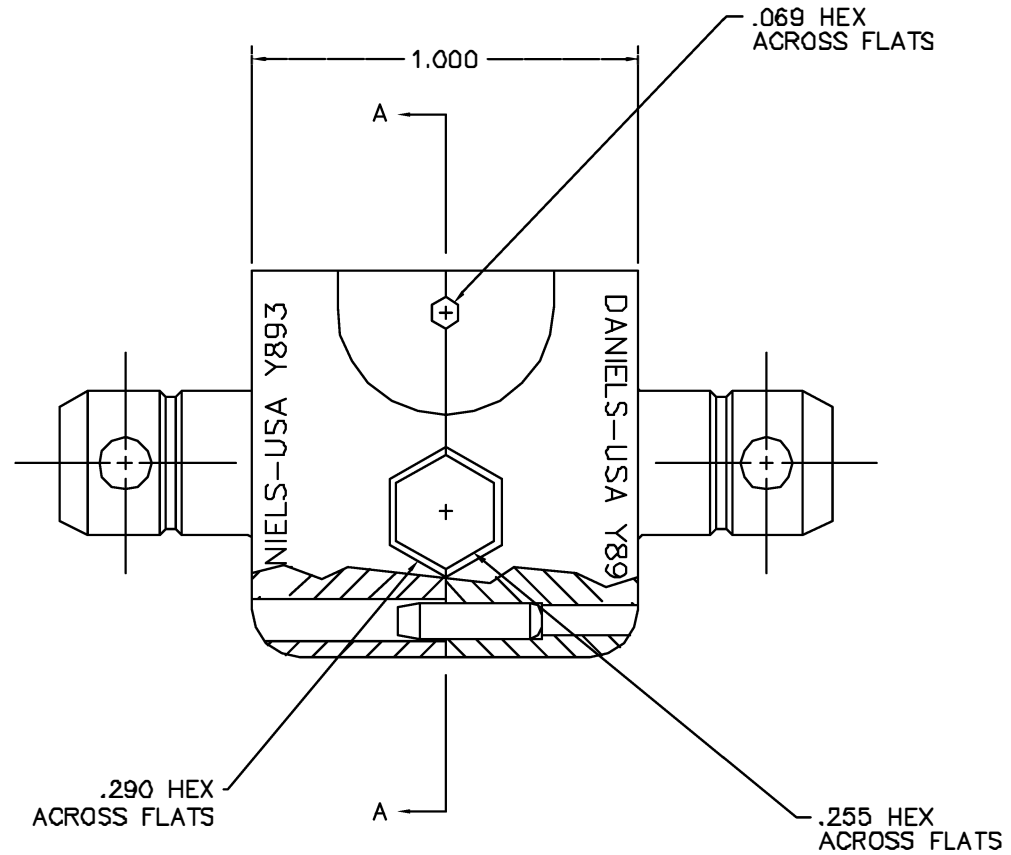


REVISIONS				
REV. SYM.	E.C.D. NUMBER	DESCRIPTION	BY DATE	APP'D DATE
1		ORIGINAL RELEASE	D.A.D. 5-14-87	DE 5-87




VIEW A-A  
TYPICAL



**UNCONTROLLED DOCUMENT  
WILL NOT BE UPDATED**

1. KTH-2216 FUNCTIONAL EQUIV.

NOTES:

<b>RESTRICTED &amp; CONFIDENTIAL</b> CONFIDENTIAL PROPERTY OF DANIELS MANUFACTURING CORP. NOT TO BE DISCLOSED TO OTHERS. REPRODUCED OR USED FOR ANY OTHER PURPOSE, EXCEPT AS AUTHORIZED IN WRITING BY DANIELS MANUFACTURING. MUST BE RETURNED TO DANIELS MANUFACTURING CORP. ON COMPLETION OF ORDER OR OTHER PURPOSE FOR WHICH LENT.	MATERIAL	ITEM	PART NO.	QTY.	DESCRIPTION/REMARKS
	HEAT TREAT	DRN	D.DEPAIVA	DATE	 <b>DANIELS MANUFACTURING CORP.</b> ORLANDO, FLORIDA CAGE 11851
	FINISH	CHK'D	DE	DATE	
	DO NOT SCALE DRAWING		APP'D.	DATE	APP'D.
		TITLE		DIE SET ENVELOPE DRAWING	
		WHERE USED:			
		SIZE	SCALE	CAD P/N	SHEET OF
		B	3X	YB93-ENV	1 1
		POSTING	P/N	Y893-ENV	REV.
					1