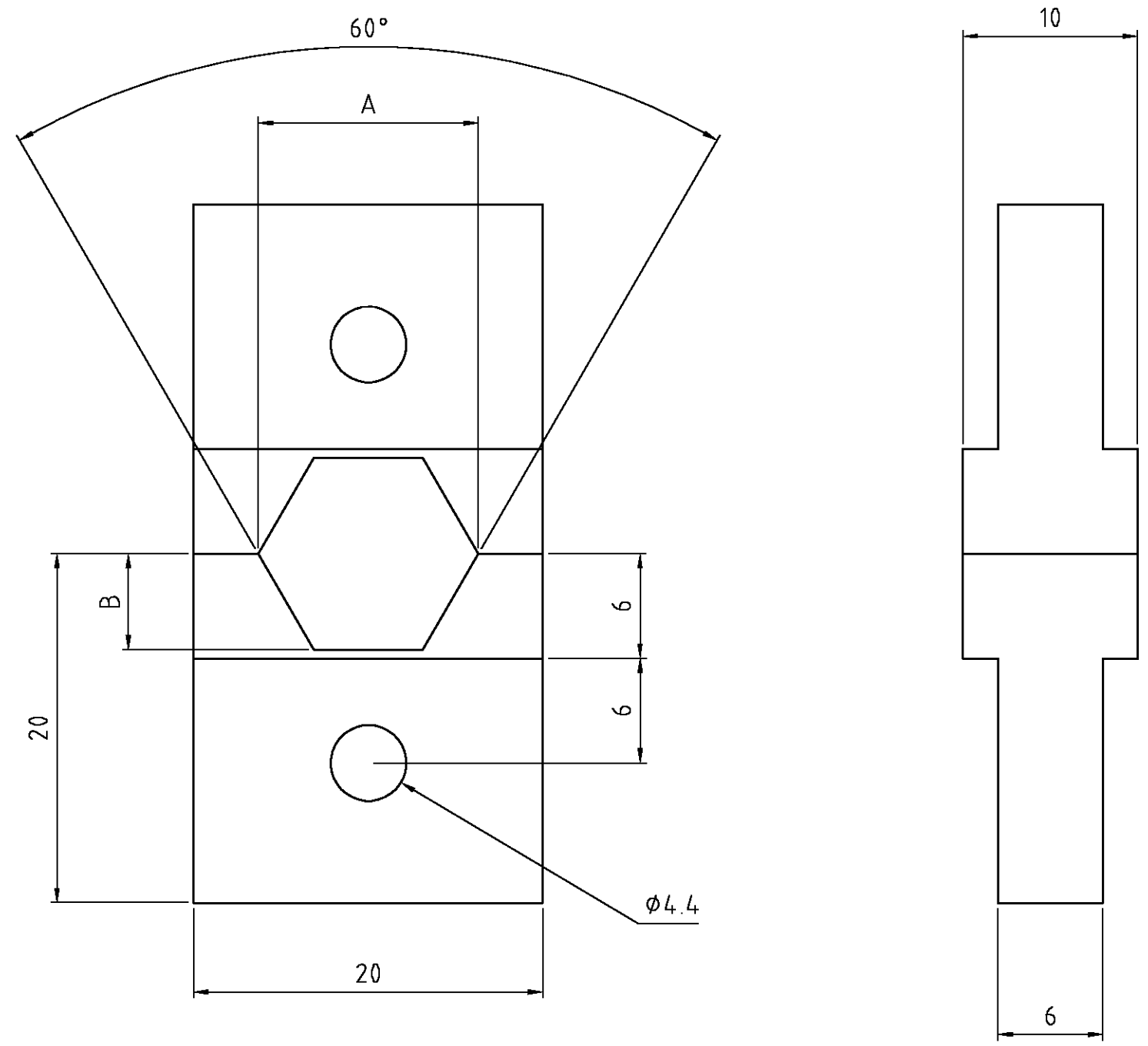


THIS DRAWING IS UNPUBLISHED. RELEASED FOR PUBLICATION
 © COPYRIGHT BY TYCO ELECTRONICS CORPORATION. ALL RIGHTS RESERVED.

LOC	DIST	REVISIONS					
A	40	P	LTR	DESCRIPTION	DATE	DWN	APVD
		A		0150-0645-03	6-03	CE	RS

PART NUMBER	REV	FIRST USED	SIZE	A	B
1583684-1	A	-	7.0	7.2	3.2
1583684-2	A	-	9.0	9.2	4.2
1583684-3	A	-	10.0	10.3	4.6
1583684-4	A	-	11.0	11.4	4.8



THIS DRAWING IS A CONTROLLED DOCUMENT.		DWN W.HOOVER	07MAY02	Tyco Electronics Corporation Harrisburg, PA, 17112	
DIMENSIONS: MM		CHK R.SCHAEFFER	23JUNE03		
		APVD R.SCHAEFFER	23JUNE03	NAME DIES HANDCRIMPTOOL	
TOLERANCES UNLESS OTHERWISE SPECIFIED:		PRODUCT SPEC		SIZE	
0 PLC ± -		APPLICATION SPEC		CAGE CODE	
1 PLC ± -		WEIGHT		DRAWING NO	
2 PLC ± -		CUSTOMER DRAWING		A3 00779	
3 PLC ± -		SCALE		1:1	
4 PLC ± -		SHEET		1 OF 1	
ANGLES ± -		REV		A	
FINISH		RESTRICTED TO		-	
MATERIAL		-		-	