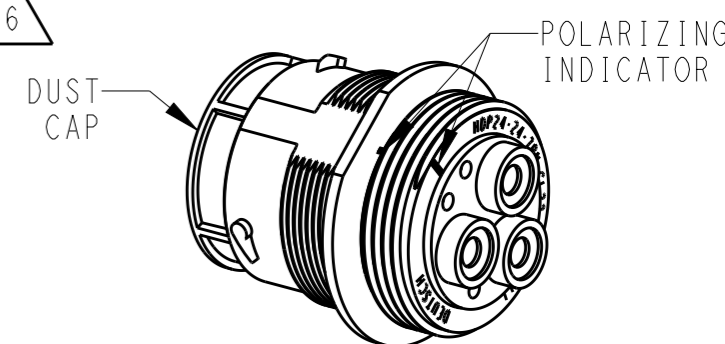
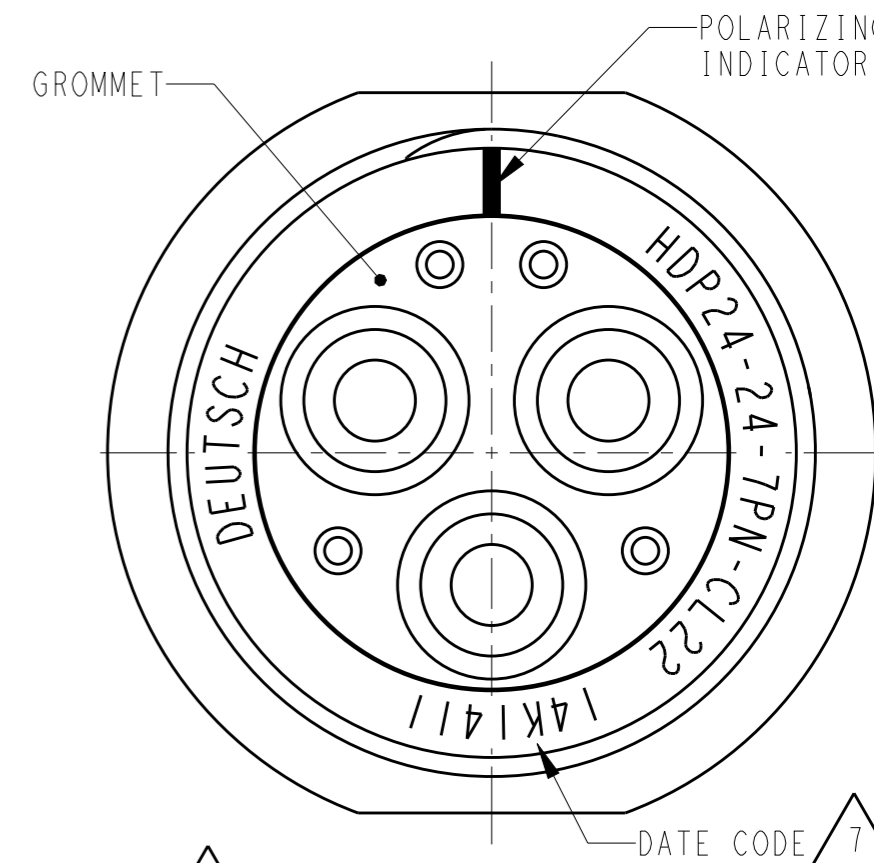
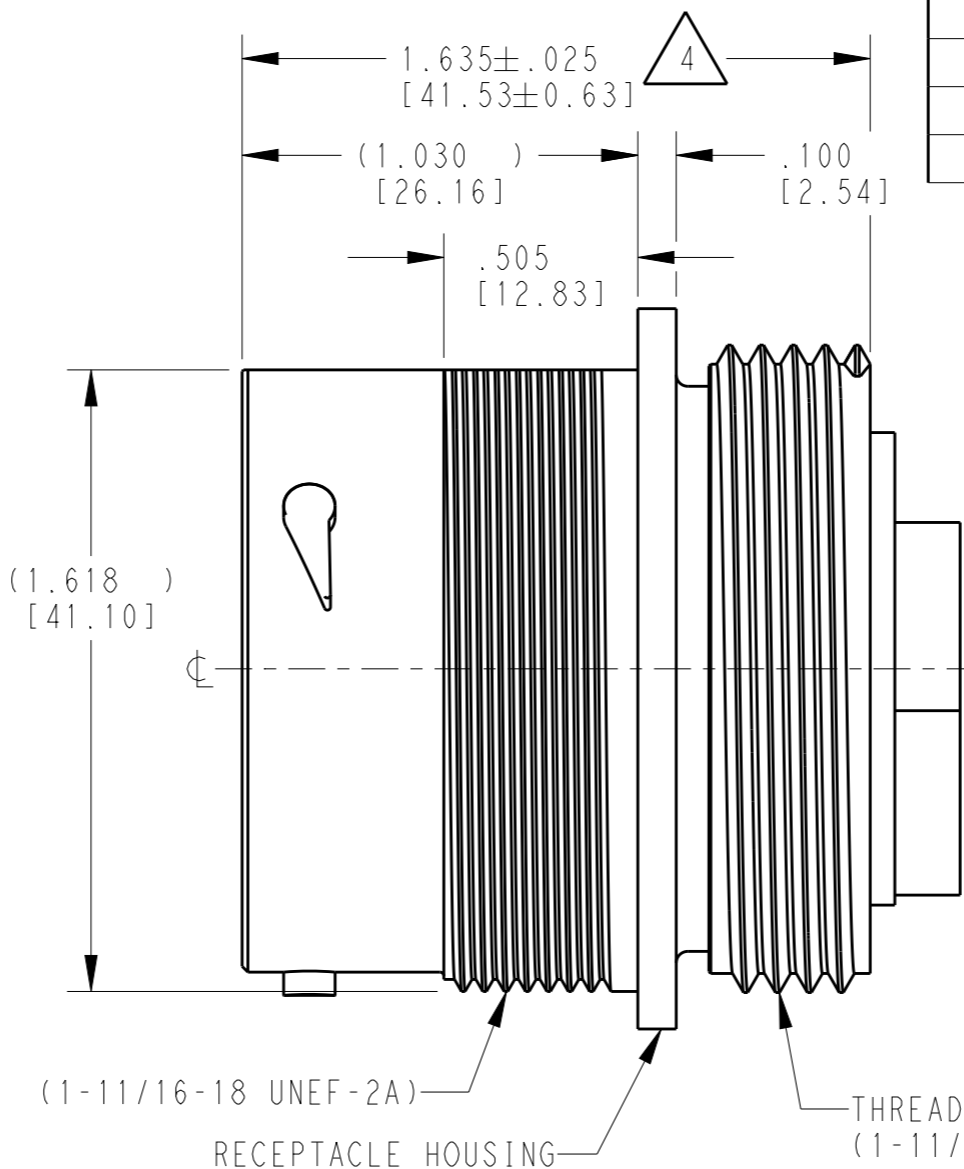
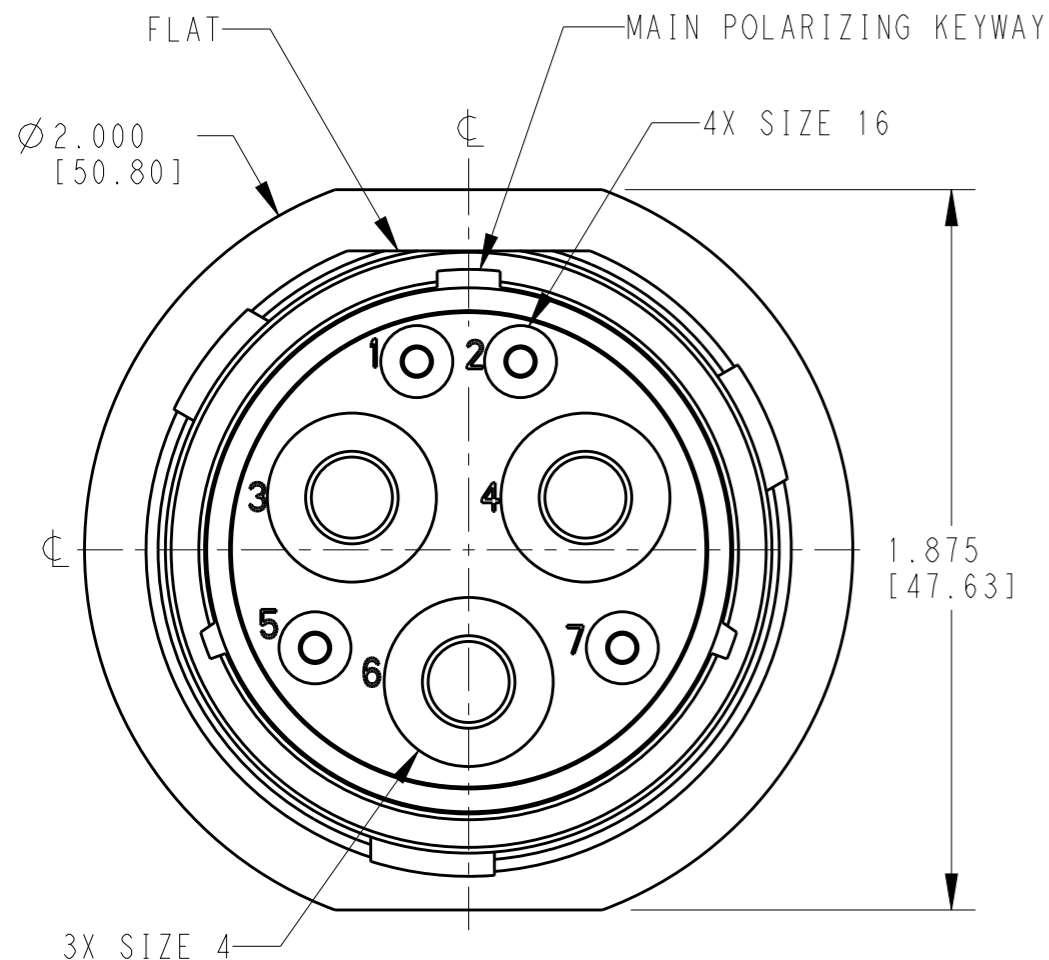


P	LTR	DESCRIPTION	DATE	DWN	APVD
	A	NEW RELEASE PER ECO-14-008691	10JUN2014	JA	DM
	B	REVISED PER ECO-14-019072	23FEB2015	JA	DM
	B1	REVISED PER ECO-16-013285	08SEP2016	DD	DM



SCALE 3:4

TE INTERNAL PN	DEUTSCH PN
HDP24-24-7PN-CL22	HDP24-24-7PN-CL22

△6 PART MODIFICATION: THREADED ADAPTER
 3 SIZE 4: 4 AWG [21.0-25.0 mm²] AND 4 SIZE 16
 ACCEPT BACKSHELL: 2428-024-2405

5. RECEPTACLE IS SUPPLIED WITH DUST CAP (2415-001-2405)

△4 NOTED DIMENSION DOES NOT INCLUDE GROMMET PROTRUSION.

△3 MATERIAL: RECEPTACLE HOUSING: PA66 GF10 (BLACK)
 THREADED ADAPTER: PA66 GF10 (GREEN, GRAY, BLUE)
 GROMMET: SILICONE (ORANGE-RED)

△2 SEE 0425-021-0000 APPLICATION SPECIFICATION
 A. RECOMMENDED WIRE INSULATION RANGE
 B. CONTACT REMOVAL TOOLS
 C. RECOMMENDED MOUNTING HOLE & PANEL THICKNESS
 D. MOUNTING HARDWARE & MOUNTING TORQUE.

1. THIS RECEPTACLE MATES WITH HDP26-24-7SX-XXXX PLUG
 X = SEAL TYPE (N,T,E)
 XXXX = MODIFICATION

NOTES:

△7 DATE CODE: IDENTIFIES THE YEAR, MONTH, DAY AND HOUR OF ASSEMBLY.
 YEAR: FIRST AND SECOND DIGITS. (14 = 2014)
 MONTH: THIRD DIGIT, EXCLUDING I. A = JAN., B = FEB., C = MARCH... (K = OCTOBER)
 DAY: FOURTH AND FIFTH DIGITS (14 = 14th DAY)
 HOUR: SIXTH AND SEVENTH DIGITS (11 = 11AM)

THIS DRAWING IS A CONTROLLED DOCUMENT.		DWN	10JUN2014	TE Connectivity	
		CHK	10JUN2014		
		APVD	10JUN2014		
DIMENSIONS: INCHES [mm]		TOLERANCES UNLESS OTHERWISE SPECIFIED: 0 PLC ± 1 PLC ± 2 PLC ± 3 PLC ±.015 [0.38] 4 PLC ± ANGLES ±0°30'0"		NAME RECEPTACLE, THREADED SIZE 24, -CL22 HDP SERIES	
		PRODUCT SPEC 0425-021-0000		SIZE A3	
MATERIAL △3		FINISH N/A		CAGE CODE 4AFU8	
		WEIGHT 54.78g		DRAWING NO HDP24-24-7PN-CL22	
		Customer Drawing		RESTRICTED TO -	
		SCALE 2:1		SHEET 1 OF 1	
				REV B1	