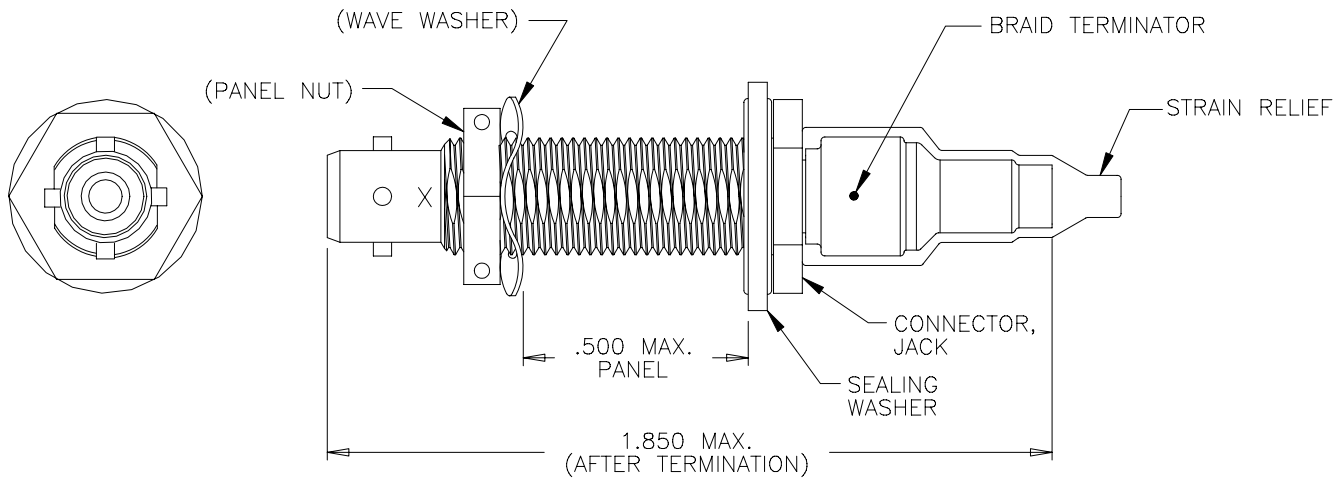


REVISIONS			
LTR	DESCRIPTION	DATE	APPROVED
B	REVISED AND REDRAWN ON CAD PER ECN# T-14973	90 SEPT 27	Z. TEMAN
C	REVISED PER ECN# T-15376	90 NOV 26	J.B. KAY



TABULATION		
JACK CONNECTOR KIT ASS'Y	CONTACT	X INTERFACE
DK-621-0546	-----	C
DK-621-0546-3P	PIN	C
DK-621-0546-3S	SOCKET	C
DK-621-0548	-----	B
DK-621-0548-2P	PIN	B
DK-621-0548-2S	SOCKET	B
DK-621-0550	-----	A
DK-621-0550-1P	PIN	A
DK-621-0550-1S	SOCKET	A
DK-621-0551	-----	D
DK-621-0551-4P	PIN	D
DK-621-0551-4S	SOCKET	D

If this document is printed it becomes uncontrolled.
Check with the web for latest revision.

SPECIFICATION CONTROL DRAWING

© Raychem Corporation 1990

UNLESS OTHERWISE SPECIFIED
DIMENSIONS ARE IN INCHES.
METRIC DIMENSIONS ARE
IN BRACKETS.

DECIMALS

.XXX ± — [— mm]
.XX ± — [— mm]

ANGLES

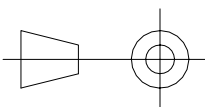
.X ± —

WEIGHT

— lbs [— g]

DRAWN	J.B.K.	90 SEPT 27
CHECKED		
APPROVED		
APPROVED	Z.TEMAN	90 SEPT 27
CAD NAME	4983-1	

THIRD ANGLE
PROJECTION



Raychem

RAYCHEM CORPORATION
300 CONSTITUTION DRIVE
MENLO PARK, CALIFORNIA 94025

TITLE

KITS FOR
D-621-0546/0551
TRIAxIAL CONNECTORS

SIZE	CODE IDENT. NO.	DWG. NO.	REV
A	06090	DK-621-0546/0551(-XX)	C

DO NOT SCALE THIS DRAWING

SHEET 1 OF 2

1.0 REFER TO THE FOLLOWING RAYCHEM SPECIFICATION CONTROL DRAWINGS (SCD) FOR INDIVIDUAL COMPONENT DETAILS:

D-621-0546/0551	CONNECTOR, TRIAXIAL, SUBMINIATURE, BAYONET, COUPLED	
D-602-0126	CONTACT, PIN, TWISTED PAIR	NOT SHOWN
D-602-0127	CONTACT, SOCKET, TWISTED PAIR	NOT SHOWN
D-600-0030	BRAID TERMINATOR	
D-600-0019	STRAIN RELIEF	
D-600-0053	SEALING WASHER	

2.0 CONNECTORS ARE QUALIFIED TO RAYCHEM SPECIFICATION D-6025.

3.0 TERMINATION PROCEDURE: RAYCHEM ES 61162.

**If this document is printed it becomes uncontrolled.
Check with the web for latest revision.**

CAD NAME: 4983-2

DRAWN	J.B.K.	90 SEPT 27	SIZE A	CODE IDENT. NO. 06090	DWG. NO. DK-621-0546/0551(-XX)	REV C
ISSUED			DO NOT SCALE THIS DRAWING		SHEET 2 OF 2	