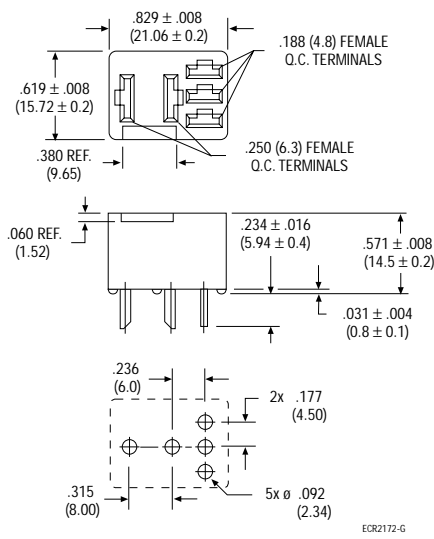


Connectors for Micro A/VFMA

Connectors for use with VFMA relays

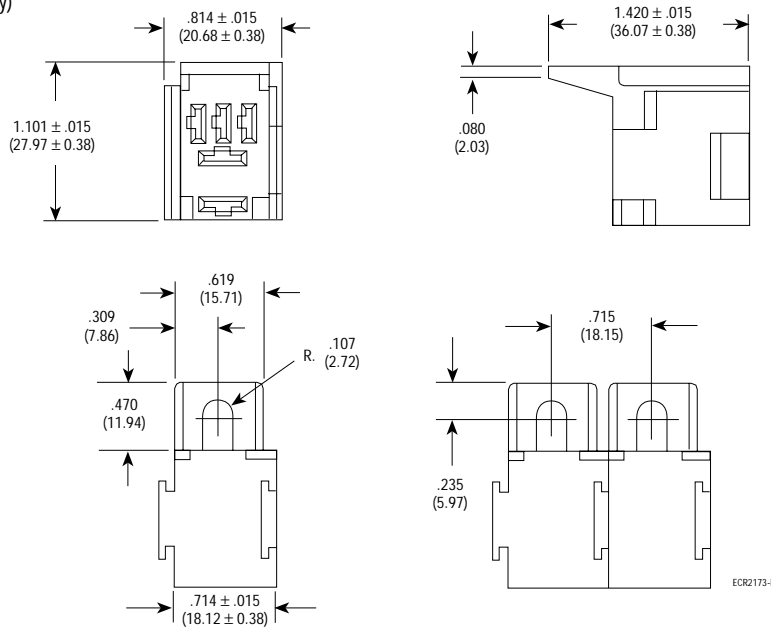
PCB socket

VCFM-1000



Wiring harness, bracket mount socket
(order terminals separately)

VCFM-1002



Ordering information

Connector	Tyco order number	Required crimp terminals (Order separately)			Qty. Required		Use in cavities	
		Part number crimp terminals	Tyco order number	Wire AWG	Form A	Form C	Form A	Form C
VCFM-1000	1393310-2	none	none	N/A	N/A	N/A	N/A	N/A
VCFM-1002	3-1393310-8	AMP60249-1	60249-1	12 - 16	2	2	3 and 5	3 and 5
		AMP42281-1	42281-1	14 - 18				
		26A1492A	2-1393310-5	15 - 20	2	3	1 and 2	1,2 and 4
		26A1492B	2-1393310-6	14 - 16				