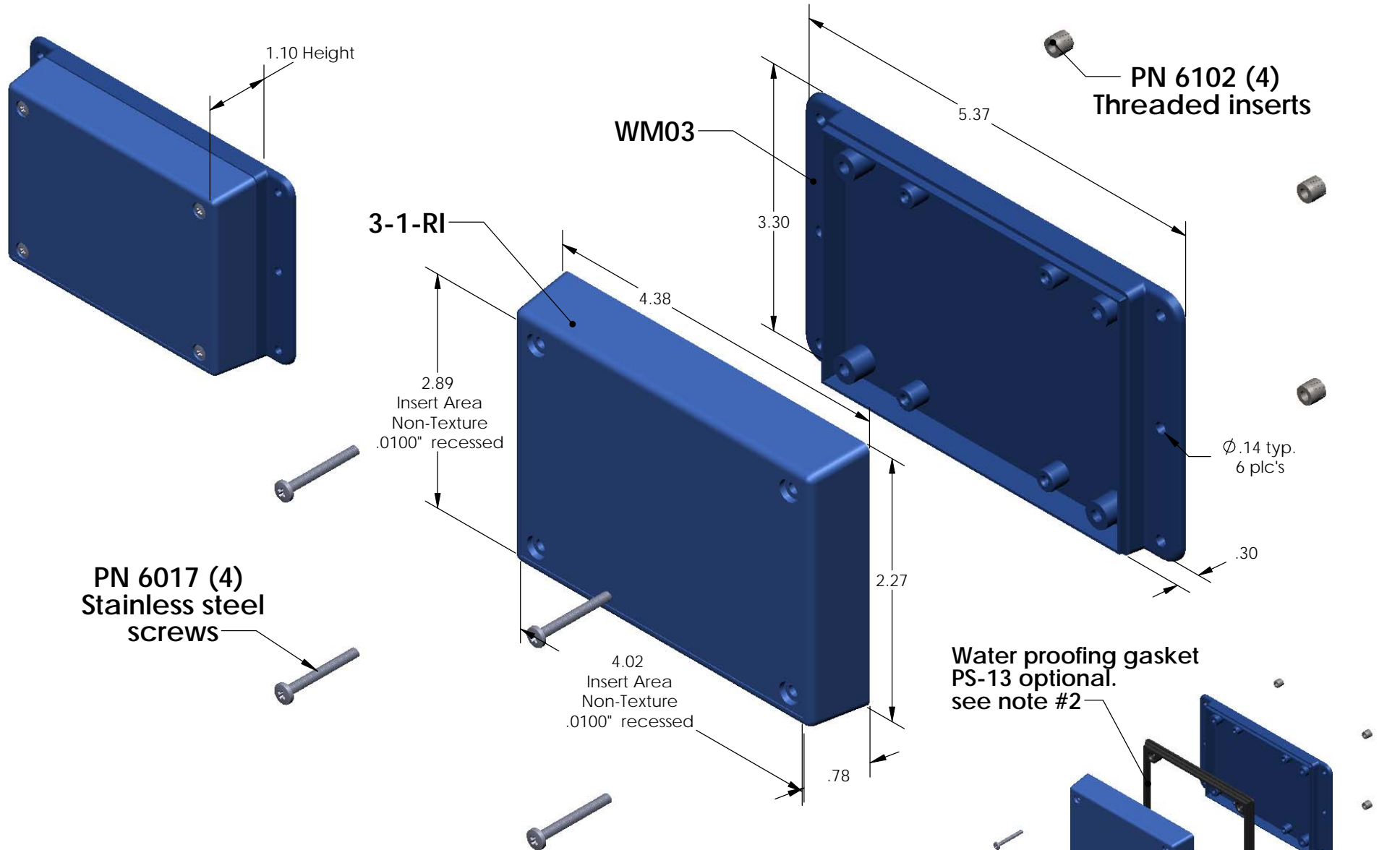


# SERPAC WM031-RI (exploded isometric)

Electronic Enclosures



| PART NO. | DESCRIPTION (Included) | ACCESSORIES (Optional) |                              |
|----------|------------------------|------------------------|------------------------------|
| 3-1-RI   | TOP                    | PART NO.               | DESCRIPTION                  |
| WM03     | BOTTOM                 | 50                     | Non-skid Feet                |
| 6017     | 4-40 SCREW (4)         | PS-13                  | Perimeter Seal               |
| 6102     | THREADED INSERTS (4)   | 330                    | Prototype grid board (Horiz) |
|          |                        | 430                    | Prototype clad board (Horiz) |

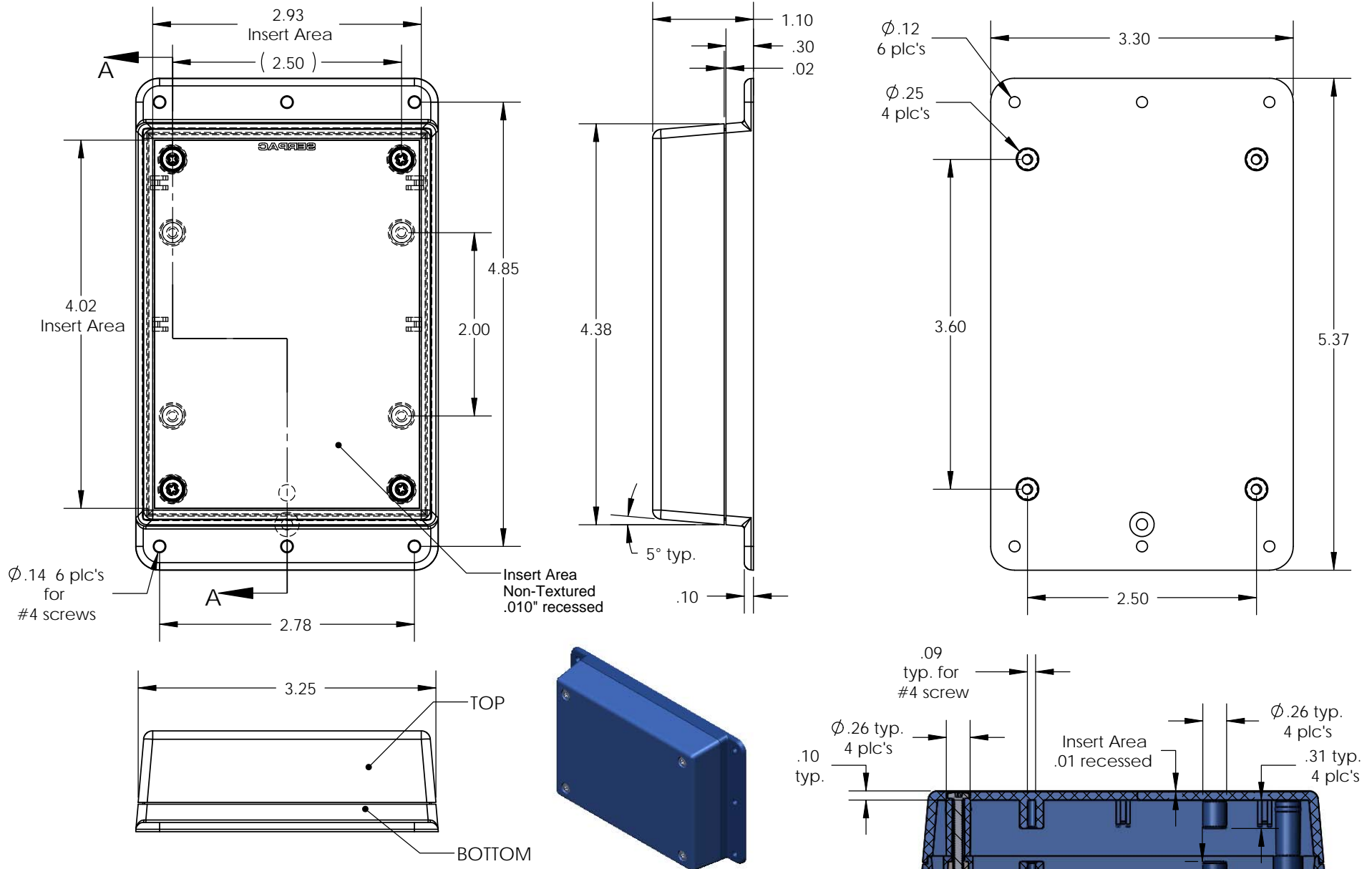
Notes:

- 1) Enclosure meets or exceeds IP40 and NEMA 1
- 2) When used with PS-13 the enclosure meets or exceeds IP 67 and NEMA 4X, 12 and 13 MIL-STD-810G 506.5
- 3) Circuit Board drawings can be download at:  
<http://www.serpac.com/Accessories/CircuitBoard/drawings/330-430-cbg.pdf>
- 4) All components are RoHS Compliant.

ALL DIMENSIONS ARE ± .010" 5/29/09 (1 of 2)  
 619 Commercial Ave. Covina, CA 91723  
 Ph. (626) 331-0517 Fx. (626) 331-8584 serpac.com

# SERPAC WM031-RI (user print)

Electronic Enclosures



| PART NO. | DESCRIPTION (Included) | ACCESSORIES (Optional) |                      |
|----------|------------------------|------------------------|----------------------|
| 3-1-RI   | TOP                    | PART NO.               | DESCRIPTION          |
| WM03     | BOTTOM                 | 50                     | Non-skid Feet        |
| 6017     | 4-40 SCREW (4)         | PS-13                  | Perimeter Seal       |
| 6102     | THREADED INSERTS (4)   | 330                    | Prototype grid board |
|          |                        | 430                    | Prototype clad board |

Notes:

- 1) Enclosure meets or exceeds IP40 and NEMA 1
- 2) When used with PS-13 the enclosure meets or exceeds IP 67 and NEMA 4X, 12 and 13 MIL-STD-810G 506.5
- 3) Circuit Board drawings can be download at: <http://www.serpac.com/Accessories/CircuitBoard/drawings/330-430-cbg.pdf>
- 4) All components are RoHS Compliant.

ALL DIMENSIONS ARE ± .010" 5/29/09 (2 of 2)  
 619 Commercial Ave. Covina, CA 91723  
 Ph. (626) 331-0517 Fx. (626) 331-8584 www.serpac.com