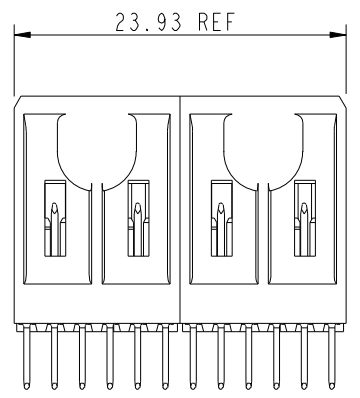
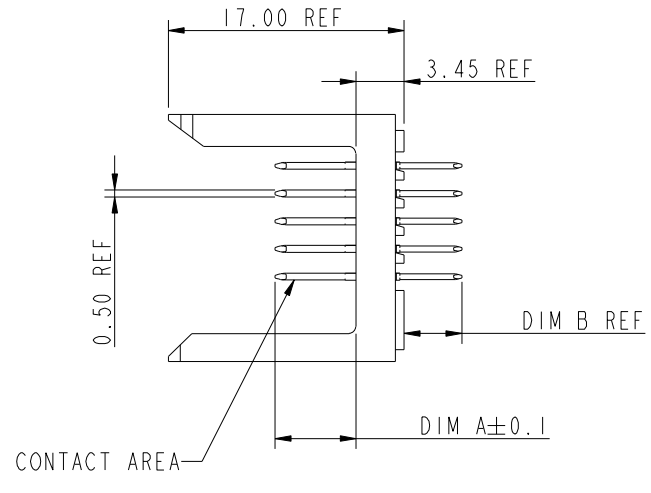
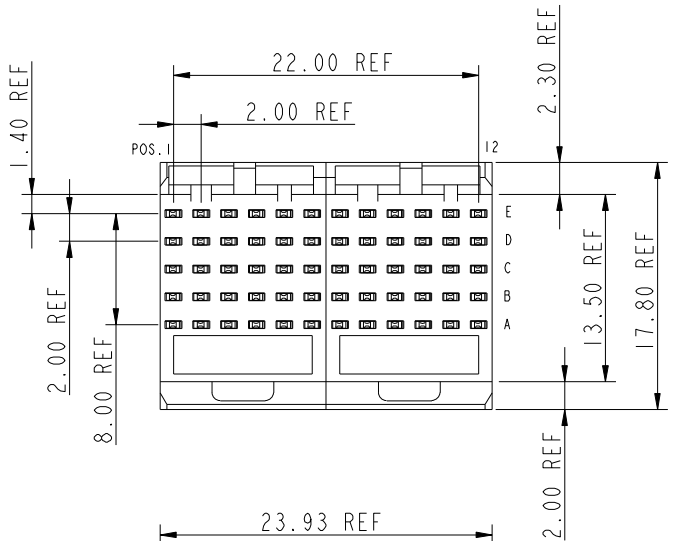


PRODUCT NUMBER  
10083182-XYLF



This document is the property of and embodies CONFIDENTIAL and PROPRIETARY information of FCI. No part of the information shown on this document may be used in any way or disclosed to others without the written consent of FCI. Copyright FCI.

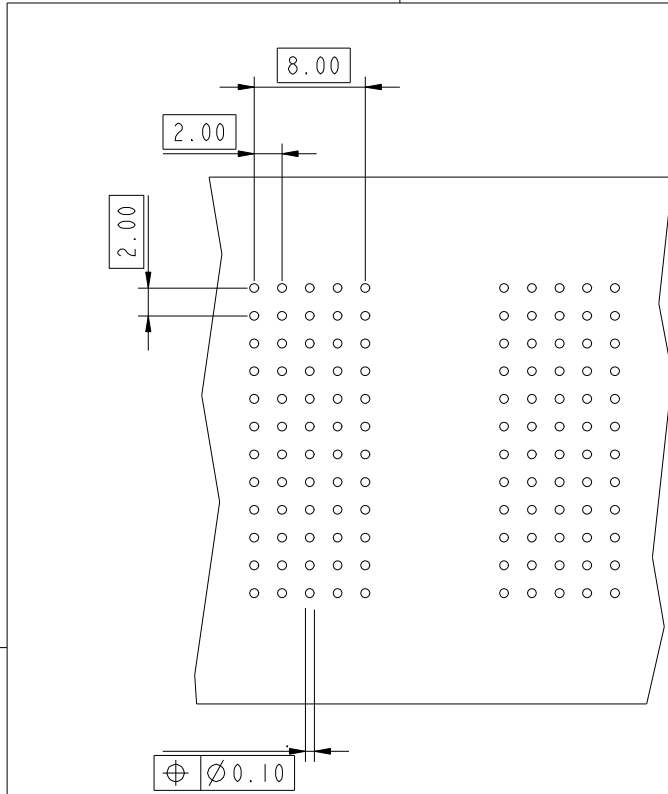
|             |                |      |            |        |                                       |          |          |                |     |   |                    |        |
|-------------|----------------|------|------------|--------|---------------------------------------|----------|----------|----------------|-----|---|--------------------|--------|
| mat'l code  |                | --   |            |        | tolerances unless otherwise specified |          | CUSTOMER |                | FCI |   | www.fciconnect.com |        |
| ltr         | ecn no.        | dr   | date       | linear | 0.X ± 0.3                             | COPY     |          | projection     |     | title<br>METRAL SIGNAL HEADER 2 MOD.<br>5 ROW STB WITHOUT PLASTIC POSTS |                    |        |
| A           | DG07-0405      | Cenh | 2007-10-15 |        | 0.XX ± 0.13                           | MIM      |          |                |     |   |                    |        |
| B           | DG07-0480      | Cenh | 2007-11-29 |        | .XXX ± .051                           | scale    |          | product family |     | METRAL  |                    | code   |
| -           | -              | -    | -          | angles | 0° ± 2°                               | 2:1      |          | size           |     | dwg no  |                    | 213    |
| -           | -              | -    | -          | dr     | Heaven Cen                            | 10/15/07 |          | A              |     | 10083182  |                    | sheet  |
| -           | -              | -    | -          | enr    | Collins Lu                            | 10/15/07 |          |                |     |   |                    | 1 of 3 |
| -           | -              | -    | -          | chr    | Gary Hsieh                            | 10/15/07 |          |                |     |   |                    |        |
| -           | -              | -    | -          | appd   | Joseph Hsia                           | 10/15/07 |          |                |     |   |                    |        |
| sheet index | revision sheet | B    | B          | B      |                                       |          |          |                |     |   |                    |        |
|             |                | 1    | 2          | 3      |                                       |          |          |                |     |   |                    |        |

cage code 22526



This document is the property of and embodies  
 CONFIDENTIAL and PROPRIETARY information of FCI.  
 No part of the information shown on this  
 document may be used in any way or disclosed  
 to others without the written consent of FCI.  
 Copyright FCI.

REV E - 2008-04-18



REQUIRED PC BOARD LAYOUT  
COMPONENT SIDE

SEE PRINT 58351 FOR  
ADDITIONAL PCB INFORMATION

| KEY (SIGNAL STB) |                 |                 |
|------------------|-----------------|-----------------|
| CODE             | DIMENSIONS      |                 |
|                  | DIM "A"<br>MATE | DIM "B"<br>TAIL |
| 1                | 5.00            | 4.25            |
| 2                | 5.75            | 4.25            |
| 3                | 6.50            | 4.25            |
| 4                | 7.25            | 4.25            |
| 5                | 5.00            | 3.30            |
| 6                | 5.75            | 3.30            |
| 7                | 6.50            | 3.30            |
| 8                | 7.25            | 3.30            |
| 9                | 5.00            | 2.65            |
| 10               | 5.75            | 2.65            |
| 11               | 6.50            | 2.65            |
| 12               | 6.50            | 2.65            |
| 13               | 8.00            | 4.25            |

- NOTES:
- FOR DIM A, AND B SEE SHEET 2 AND UP.
  - BODY MATERIAL: LIQUID CRYSTAL POLYMER 30 % GLASS.  
FLAME RETARDANT ACC. UL 94-V0.
  - PIN MATERIAL  
PHOSPHOR BRONZE:
  - PLATING ON PRESS FIT TAIL:  
10083182-XYLFL IS Sn (LEAD FREE)  
PLATING ON CONTACT AREA CONFORMS TO PERFORMANCE LEVEL SHOWN IN TABLE.
  - PRODUCT MARKING:  
PART NUMBER DESIGNATION & BATCH I.D.
  - ALL PRODUCTS WITH PART NUMBERS SHOWN IN SUBSEQUENT TABLES WILL BE PACKAGED IN TUBE.
  - PRODUCT SPECIFICATION GS-12-180  
APPLICATION SPECIFICATION BUS-20-074
  - THE PRODUCTS WHERE THE PART NUMBERS ENDS IN "LF" MEET THE EUROPEAN UNION DIRECTIVES AND OTHER COUNTRY REGULATIONS AS DESCRIBED IN GS-22-008.  
ALL PRODUCTS WILL WITHSTAND EXPOSURE TO 260° C FOR 60 SECONDS IN A CONVECTION, INFRA-RED OR VAPOR PHASE REFLOW OVEN.

|             |                |    |      |                                       |                      |            |  |  |  |
|-------------|----------------|----|------|---------------------------------------|----------------------|------------|--|--|--|
| mat'l code  |                |    |      | tolerances unless otherwise specified |                      | CUSTOMER   |  | FCI  |  |
| ltr         | ecn no.        | dr | date | linear                                | 0.X ±0.3             | COPY       |  | www.fciconnect.com   |  |
| B           |                |    |      |                                       | 0.XX ±0.13           | projection |  | title  |  |
|             |                |    |      | angles                                | .XXX ±.051           |            |  | METRAL SIGNAL HEADER 2 MOD,<br>5 ROW STB WITHOUT PLASTIC POSTS |  |
|             |                |    |      | dr                                    | 0° ±2°               |            |  | product family   |  |
|             |                |    |      | enr                                   | Heaven Cen 10/15/07  |            |  | METRAL   |  |
|             |                |    |      | chr                                   | Collins Lu 10/15/07  | size       |  | code   |  |
|             |                |    |      | appd                                  | Gary Hsieh 10/15/07  | dwg no     |  | 213  |  |
|             |                |    |      |                                       | Joseph Hsia 10/15/07 | scale      |  | sheet  |  |
|             |                |    |      |                                       |                      | 1:1        |  | 2  |  |
| sheet index | revision sheet |    |      |                                       |                      |            |  |  |  |

cage code 22526

Pro/E

PRODUCT NUMBER  
10083182-XYLFF

PLATING IN CONTACT AREA

|             |                   |
|-------------|-------------------|
| DASH NUMBER | PERFORMANCE LEVEL |
| -1YYLF      | TELCORDIA CO      |

| METRAL P/N     | ROW | CONTACT CODE MOD. 1 |   |   |   |   | MOD. 2 |   |   |   |    |    |    |
|----------------|-----|---------------------|---|---|---|---|--------|---|---|---|----|----|----|
|                |     | 1                   | 2 | 3 | 4 | 5 | 6      | 7 | 8 | 9 | 10 | 11 | 12 |
| 10083182-X10LF | E   | 1                   | 1 | 1 | 1 | 1 | 1      | 1 | 1 | 1 | 1  | 1  | 1  |
|                | D   | 1                   | 1 | 1 | 1 | 1 | 1      | 1 | 1 | 1 | 1  | 1  | 1  |
|                | C   | 1                   | 1 | 1 | 1 | 1 | 1      | 1 | 1 | 1 | 1  | 1  | 1  |
|                | B   | 1                   | 1 | 1 | 1 | 1 | 1      | 1 | 1 | 1 | 1  | 1  | 1  |
|                | A   | 1                   | 1 | 1 | 1 | 1 | 1      | 1 | 1 | 1 | 1  | 1  | 1  |

| METRAL P/N     | ROW | CONTACT CODE MOD. 1 |   |   |   |   | MOD. 2 |   |   |   |    |    |    |
|----------------|-----|---------------------|---|---|---|---|--------|---|---|---|----|----|----|
|                |     | 1                   | 2 | 3 | 4 | 5 | 6      | 7 | 8 | 9 | 10 | 11 | 12 |
| 10083182-X11LF | E   | 9                   | 9 | 9 | 9 | 9 | 9      | 9 | 9 | 9 | 9  | 9  | 9  |
|                | D   | 9                   | 9 | 9 | 9 | 9 | 9      | 9 | 9 | 9 | 9  | 9  | 9  |
|                | C   | 9                   | 9 | 9 | 9 | 9 | 9      | 9 | 9 | 9 | 9  | 9  | 9  |
|                | B   | 9                   | 9 | 9 | 9 | 9 | 9      | 9 | 9 | 9 | 9  | 9  | 9  |
|                | A   | 9                   | 9 | 9 | 9 | 9 | 9      | 9 | 9 | 9 | 9  | 9  | 9  |



This document is the property of and embodies CONFIDENTIAL and PROPRIETARY information of FCI. No part of the information shown on this document may be used in any way or disclosed to others without the written consent of FCI. Copyright FCI.

|             |                |    |      |                                       |                      |            |  |  |  |
|-------------|----------------|----|------|---------------------------------------|----------------------|------------|--|--|--|
| mat'l code  |                | -- |      | tolerances unless otherwise specified |                      | CUSTOMER   |  | <br>www.fciconnect.com   |  |
| ltr         | ecr no.        | dr | date | linear                                | 0.X ±0.3             | COPY       |  | title  |  |
| B           |                |    |      |                                       | 0.XX ±0.13           | projection |  | METRAL SIGNAL HEADER 2 MOD,<br>5 ROW STB WITHOUT PLASTIC POSTS |  |
|             |                |    |      | angles                                | .XXX ±.051           |            |  | product family   |  |
|             |                |    |      | dr                                    | 0° ±2°               |            |  | METRAL   |  |
|             |                |    |      | enr                                   | Heaven Cen 10/15/07  | scale      |  | code   |  |
|             |                |    |      | chr                                   | Collins Lu 10/15/07  | 1:1        |  | 213  |  |
|             |                |    |      | appd                                  | Gary Hsieh 10/15/07  | A          |  | sheet  |  |
|             |                |    |      |                                       | Joseph Hsia 10/15/07 |            |  | 3  |  |
| sheet index | revision sheet |    |      |                                       |                      |            |  | 3  |  |