

RP135 Series

High Performance Single Stage Power Line Filters



1 A to 200 A Chassis Mount Filter

Specifications

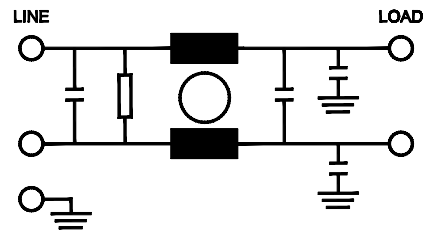
| | |
|-------------------------|---|
| Operating Frequency | 50/60 Hz |
| Usable Frequency | DC - 400 Hz |
| Max. Operating Voltage* | 250 V +10% |
| Ambient Temperature | -25 to 40°C |
| Climatic Category | 25/100/21 |
| Hipot Rating (L-G) | 2700 VDC |
| Terminals (-T) | QD: 0.25 Tab (1-20 A) S: 30 A (M4) 60-100 A (M6) 150-200 A (M10) |

Safety Approvals CSA, UR, EN60939

*Available up to 300 VAC. Please contact us to verify specifications.



Electrical Schematic



Part Number/Ordering

| RP135 | -X (Amps) | -Y (Ycap, nF) | -T | Typ. Weight, lbs (kg) |
|-------|--------------|------------------|----|--------------------------|
| | 1 | 0 | QD | 0.1 (0.04) |
| | 3 | 0.47 | QD | 0.1 (0.04) |
| | 6 | 1 | QD | 0.1 (0.04) |
| | 10 | 2.2 | QD | 0.1 (0.04) |
| | 16 | 4.7 | QD | 0.5 (0.2) |
| | 20 | 10 | QD | 0.5 (0.2) |
| | 30 | 22 | S | 0.5 (0.2) |
| | 60 | 100 | S | 2.8 (1.3) |
| | 100 | | S | 6.0 (2.7) |
| | 150 | | S | 6.0 (2.7) |
| | 180 | | S | 6.0 (2.7) |
| | 200 | | S | 6.0 (2.7) |

Note: Use any combination of -Y with any -X (Amps) rating
e.g. RP135-100-4.7-QD (100 Amps with 4.7 nF Ycap)

Leakage Current

| Y-cap, nF | mA, 120 V/60 Hz | mA, 250 V/60 Hz |
|-----------|--------------------|--------------------|
| 0 | 0.0 | 0.0 |
| 0.47 | 0.04 | 0.08 |
| 1 | 0.09 | 0.18 |
| 2.2 | 0.2 | 0.4 |
| 4.7 | 0.4 | 0.8 |
| 10 | 0.9 | 1.8 |
| 22 | 2.0 | 4.0 |
| 100 | 9.0 | 18.0 |

Specifications are subject to change. Consult factory to verify specifications.

For more information on our filter products call us at: (800) 527-4362 or (714) 289-0055
LCR, Radius Power, and Filter Concepts are now part of Astrodyne TDI

RP135 Series

High Performance Single Stage Power Line Filters



1 A to 200 A Chassis Mount Filter

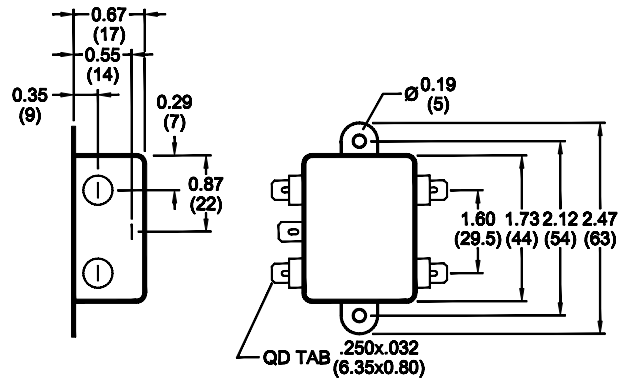
Typical Insertion Loss, dB (50/50 Ohm)

| Freq (MHz) | 0.15 | 0.5 | 1.0 | 10 | 30 |
|------------------|------|-----|-----|----|----|
| 1 Amp | | | | | |
| CM(dB) | 40 | 50 | 50 | 45 | 40 |
| DM(dB) | 15 | 26 | 45 | 50 | 50 |
| 3 Amp | | | | | |
| CM(dB) | 30 | 42 | 50 | 55 | 35 |
| DM(dB) | 18 | 30 | 40 | 55 | 50 |
| 6 Amp | | | | | |
| CM(dB) | 20 | 30 | 36 | 55 | 40 |
| DM(dB) | 15 | 26 | 32 | 55 | 40 |
| 10/16 Amp | | | | | |
| CM(dB) | 18 | 25 | 40 | 55 | 45 |
| DM(dB) | 15 | 25 | 40 | 65 | 50 |
| 20 Amp | | | | | |
| CM(dB) | 24 | 38 | 45 | 50 | 50 |
| DM(dB) | 42 | 60 | 65 | 60 | 50 |

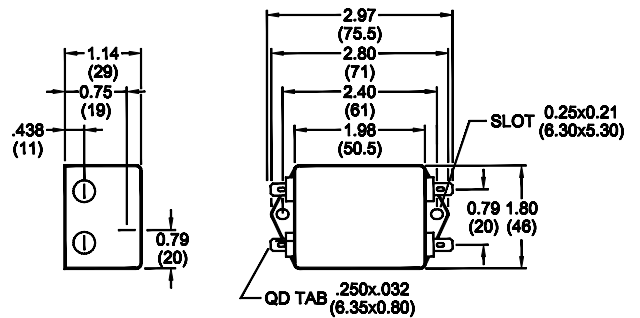
Mechanical Dimensions

TYPICAL TOLERANCE: +/-0.02" (0.50 mm)

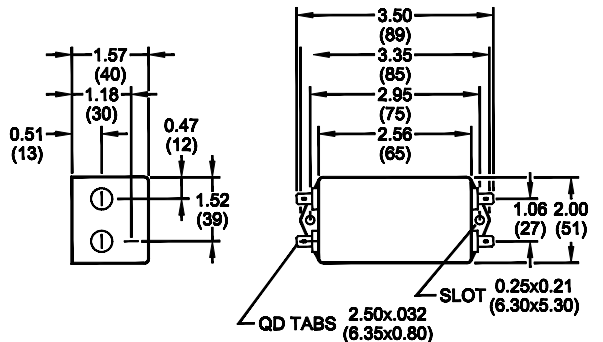
1/3/6/10 Amp



16 Amp



20 Amp



Specifications are subject to change. Consult factory to verify specifications.

For more information on our filter products call us at: (800) 527-4362 or (714) 289-0055
 LCR, Radius Power, and Filter Concepts are now part of Astrodyne TDI

RP135 Series

High Performance Single Stage Power Line Filters



1 A to 200 A Chassis Mount Filter

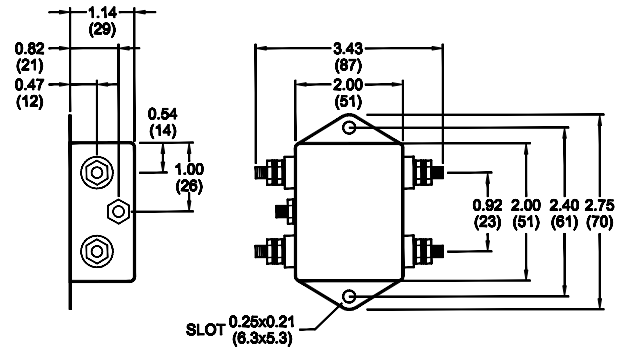
Typical Insertion Loss, dB (50/50 Ohm)

| Freq (MHz) | 0.15 | 0.5 | 1.0 | 10 | 30 |
|---------------------|------|-----|-----|----|----|
| 30/60 Amp | | | | | |
| CM(dB) | 20 | 30 | 40 | 45 | 50 |
| DM(dB) | 38 | 70 | 70 | 55 | 60 |
| 100/150/180/200 Amp | | | | | |
| CM(dB) | 20 | 30 | 40 | 45 | 50 |
| DM(dB) | 40 | 60 | 65 | 70 | 65 |

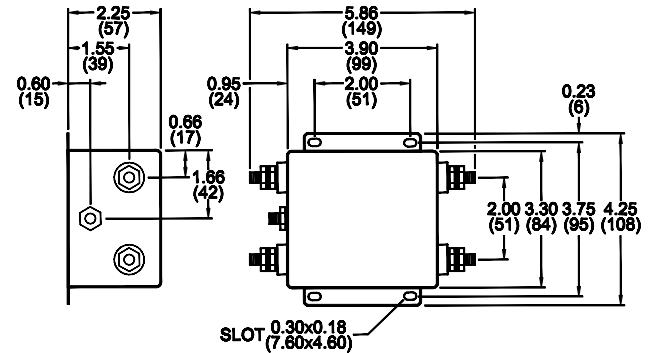
Mechanical Dimensions

TYPICAL TOLERANCE: +/-0.02" (0.50 mm)

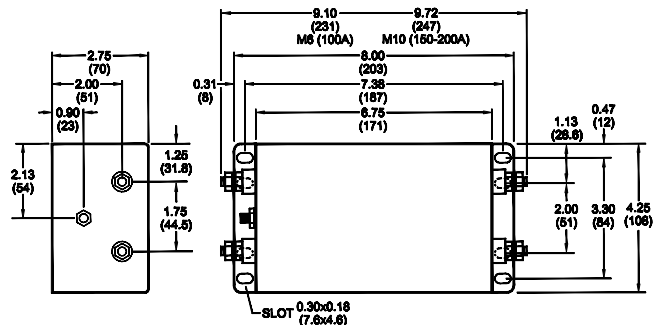
30 Amp



60 Amp



100/150/180/200 Amp



Specifications are subject to change. Consult factory to verify specifications.

For more information on our filter products call us at: (800) 527-4362 or (714) 289-0055
 LCR, Radius Power, and Filter Concepts are now part of Astrodyne TDI