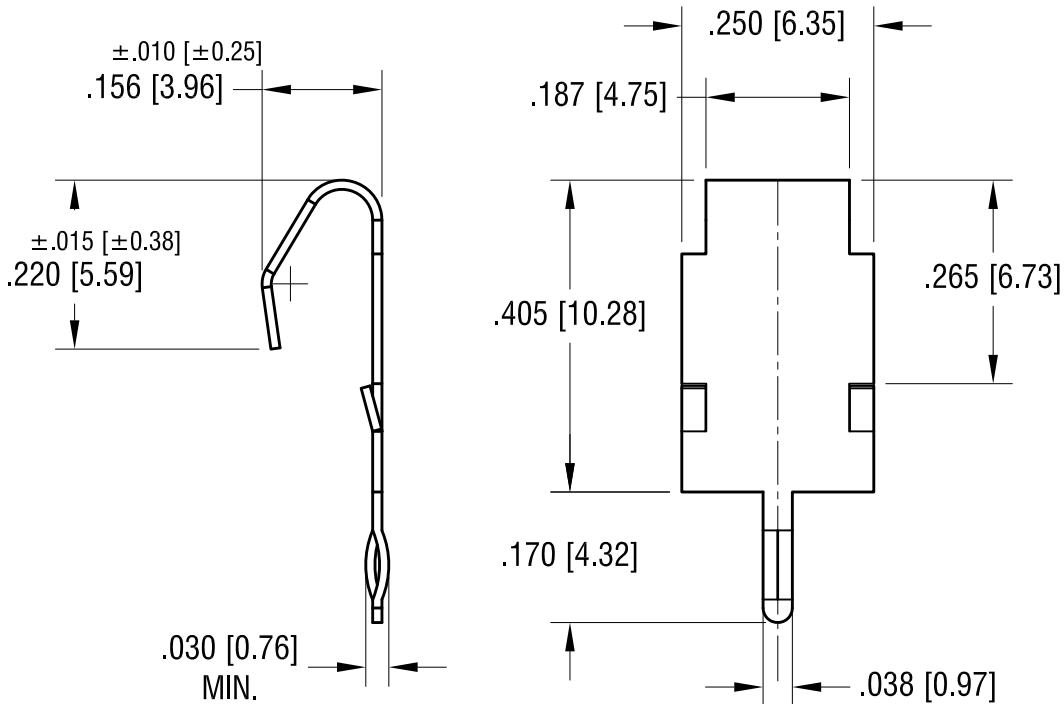


THIS DOCUMENT IS THE PROPERTY OF
KEYSTONE ELECTRONICS CORP. AND
SHALL NOT BE REPRODUCED, DISTRIBUTED
OR USED AS A BASIS FOR MANUFACTURE
WITHOUT PRIOR WRITTEN PERMISSION
FROM KEYSTONE ELECTRONICS CORP.

ACTUAL SIZE



KEYSTONE ELECTRONICS CORP.

www.keyelco.com • ASTORIA, N.Y. 11105-2017 • Tel (718) 956-8900

PART NAME

THM BATTERY CONTACT

MATERIAL

.012 [0.30] TH'K STAINLESS STEEL

FINISH

TIN NICKEL PLATE

DRN BY

NT

DATE

1.06.11

APP'D

LN

SCALE

4X

TOLERANCES

INCH [MM]

DECIMAL

$\pm .005$ [± 0.13]

ANGULAR

$\pm 1^\circ$

UNLESS OTHERWISE SPECIFIED

CODE

C

DWG NO.

1021-1

9.23.15 CHANGE AS PER ECN 15-108

B

10.10.13 CHANGE AS PER ECN 13-097

A

DATE

DESCRIPTION

REV.