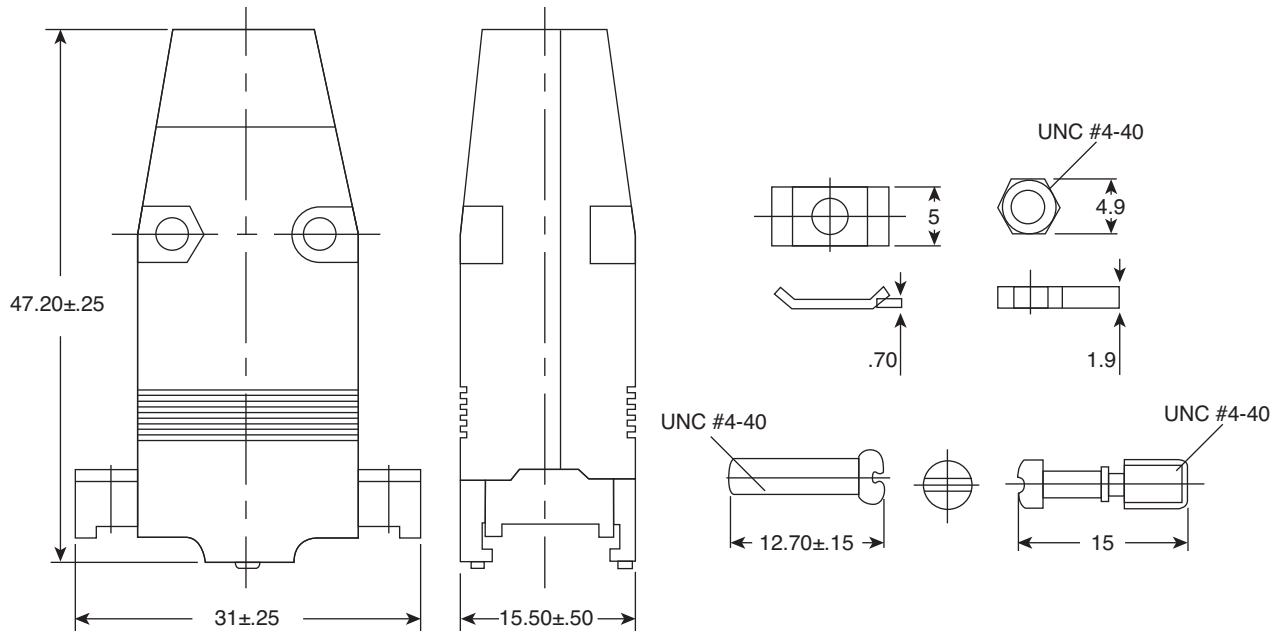


Metal Locking Hood

156-1709-EX



Metal Locking Hood



Dimensions: mm

Specifications:	
Type:	All metal, FRI/EMI shielded, straight cable exit
Finish:	Nickel plated
Material:	Zinc alloy
RoHS compliant by Exemption	

Date Last Revised: 8/20/09

Available from Mouser Electronics
1-800-346-6873 / www.mouser.com

KC-301370

156-1709-EX