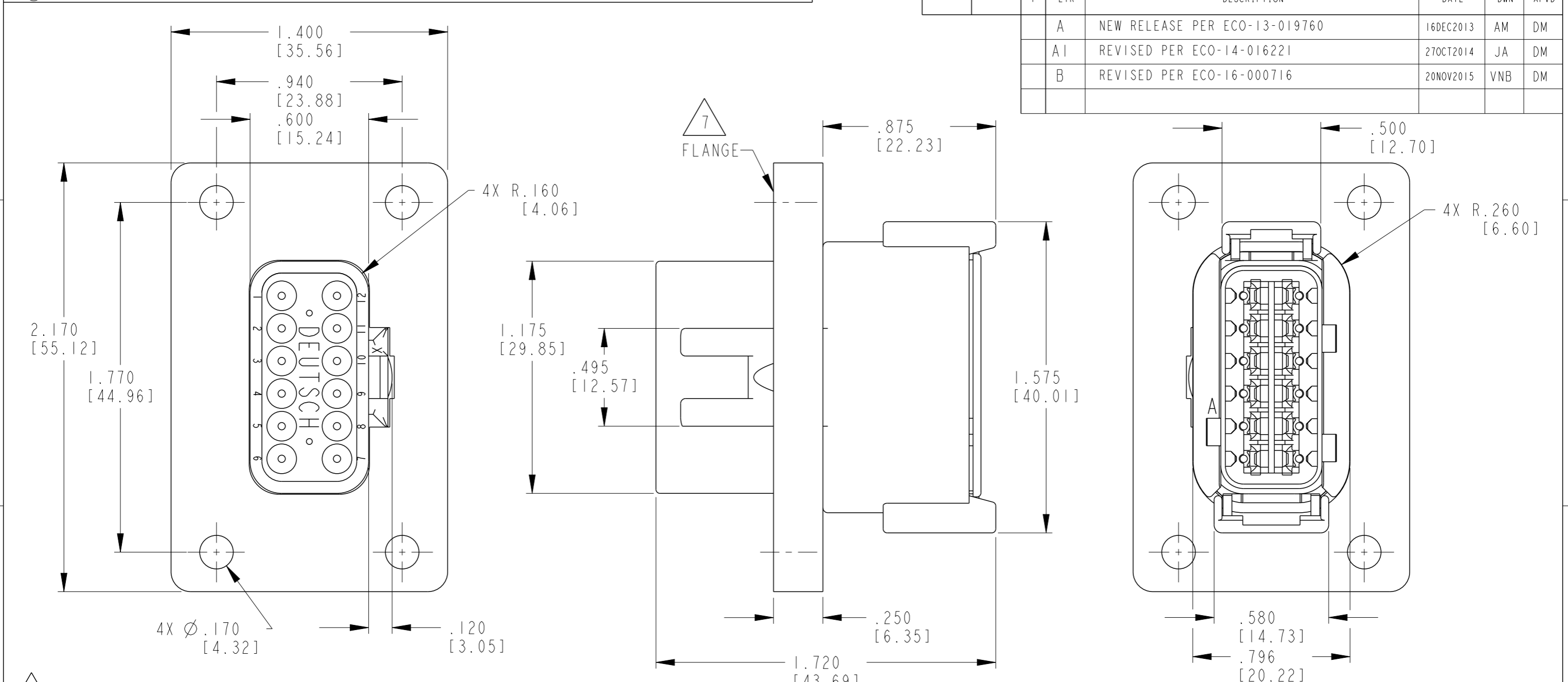


LOC		DIST		REVISIONS			
P	LTR	DESCRIPTION		DATE	DWN	APVD	
	A	NEW RELEASE PER ECO-13-019760		16DEC2013	AM	DM	
	A1	REVISED PER ECO-14-016221		27OCT2014	JA	DM	
	B	REVISED PER ECO-16-000716		20NOV2015	VNB	DM	



- 7 PART MODIFICATION.
  - 6. RECOMMENDED SCREW: 6-32 [M4]. TORQUE: 20-25 IN-LB [2.26-2.82 Nm].
  - 5. SEE SHEET 2 FOR OTHER KEY ARRANGEMENTS.
  - 4 MATERIAL - HOUSING/FLANGE: NYLON 6/6 15% GF; GROMMET: VMQ.
  - 3. THIS RECEPTACLE MATES WITH DTM06-12SX-XXXX PLUG. (X = A,B,C,D KEYS; XXXX = ALL MODIFICATIONS)
  - 2 FOR CONTACT AND WIRE PERFORMANCE AND APPLICATION CHARACTERISTICS SEE ENVELOPE DRAWING 0425-015-0000.
  - 1. SECONDARY WEDGE LOCK SOLD SEPARATELY: WM-12P.
- NOTES: UNLESS OTHERWISE SPECIFIED

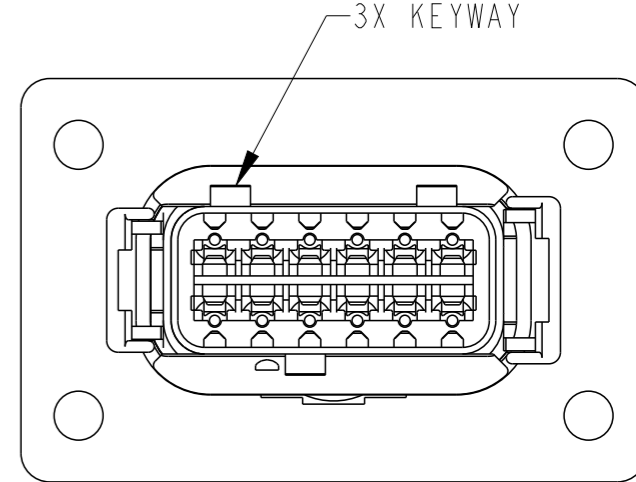
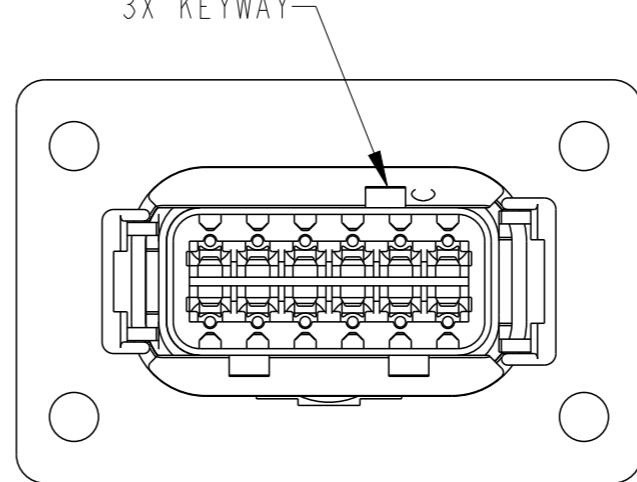
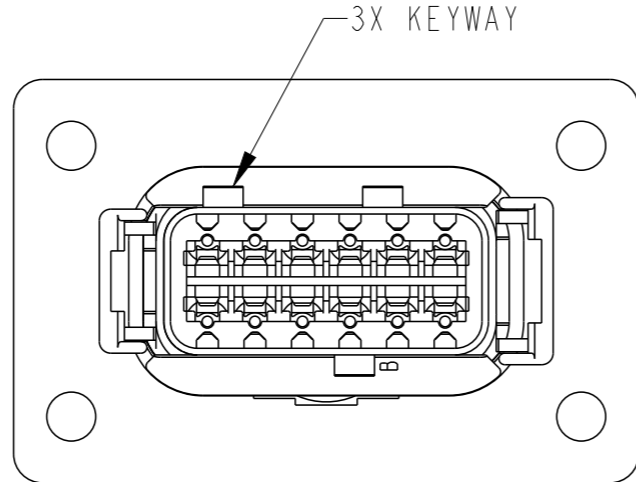
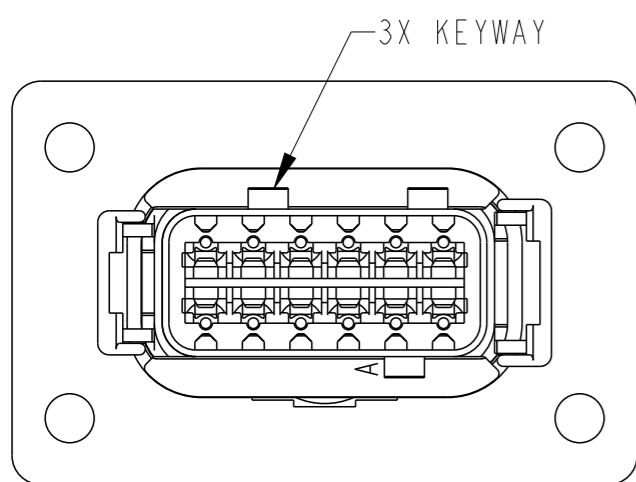
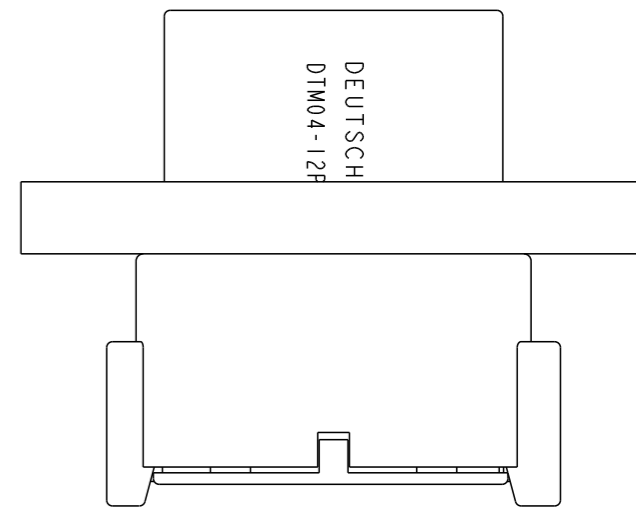
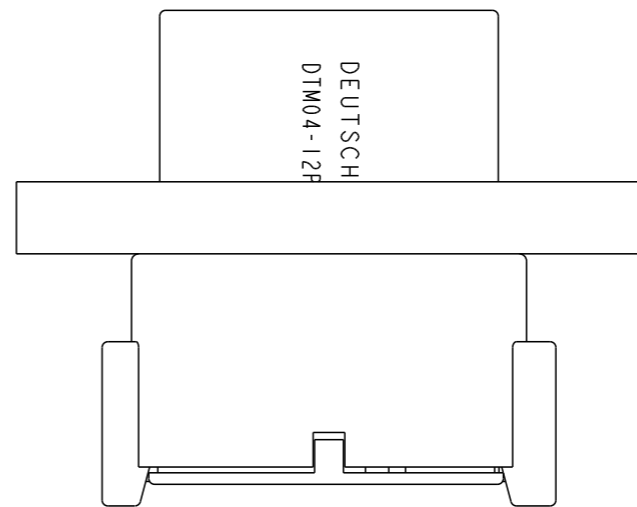
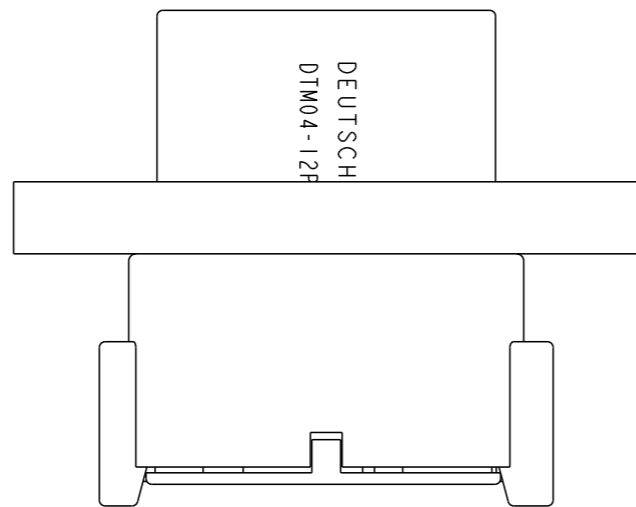
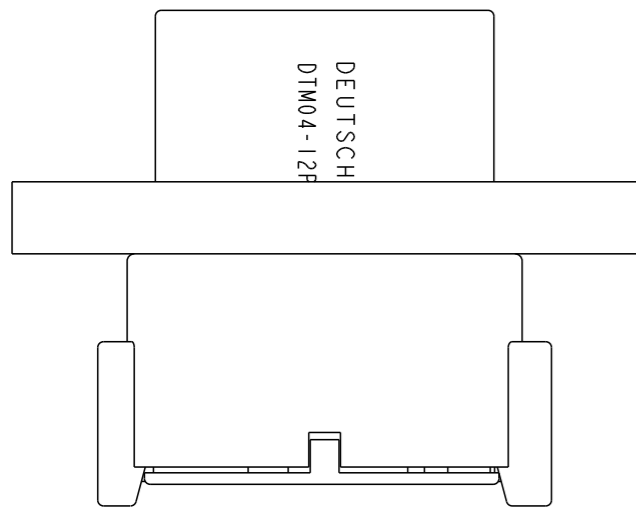
CONTACT SIZE	MIN. INSUL. O.D.	MAX. INSUL. O.D.	WIRE RANGE [mm <sup>2</sup> ] REF ONLY
20	.053 [1.35]	.120 [3.05]	16-20 AWG [1.0-0.5]

TE INTERNAL PN	DEUTSCH PN
DTM04-12PA-L012	DTM04-12PA-L012
DTM04-12PB-L012	DTM04-12PB-L012
DTM04-12PC-L012	DTM04-12PC-L012
DTM04-12PD-L012	DTM04-12PD-L012

8. GASKET PN DT12-L012-GKT MAY BE USED WITH THIS APPLICATION AT MOUNTING PANEL.

THIS DRAWING IS A CONTROLLED DOCUMENT.		DWN 21NOV2013 A. MALAGON			
DIMENSIONS: INCHES [mm]		CHK 27OCT2014 BOB MILLIGAN			
TOLERANCES UNLESS OTHERWISE SPECIFIED:		APVD 27OCT2014 DAVID MEYER		NAME RECPTACLE, 12 SIZE #20 CONTACTS DTM SERIES -L012 MOD	
0 PLC ± 1 PLC ± 2 PLC ± 3 PLC ±.015 [0.38] 4 PLC ± ANGLES ±0°30'0"		PRODUCT SPEC 0425-015-0000		SIZE A3	
MATERIAL		APPLICATION SPEC 0425-015-0000		CAGE CODE 4AFU8	
FINISH		WEIGHT 23.25g		DRAWING NO DTM04-12PX-L012	
Customer Drawing		SCALE 2:1		RESTRICTED TO -	
		SHEET 1		OF 3	
		REV B			

LOC	DIST	REVISIONS			
P	LTR	DESCRIPTION	DATE	DWN	APVD
		SEE SHEET 1	-	-	-



**DTM04-12PA-L012**  
KEY -A-  
COLOR: GREY

**DTM04-12PB-L012**  
KEY -B-  
COLOR: BLACK

**DTM04-12PC-L012**  
KEY -C-  
COLOR: GREEN

**DTM04-12PD-L012**  
KEY -D-  
COLOR: BROWN

THIS DRAWING IS A CONTROLLED DOCUMENT.		DWN A. MALAGON 21NOV2013																
DIMENSIONS: INCHES [mm]		CHK BOB MILLIGAN 27OCT2014																
TOLERANCES UNLESS OTHERWISE SPECIFIED:		APVD DAVID MEYER 27OCT2014	NAME RECTACLE, 12 SIZE #20 CONTACTS DTM SERIES -L012 MOD															
<table border="0"> <tr><td>0 PLC</td><td>±</td></tr> <tr><td>1 PLC</td><td>±</td></tr> <tr><td>2 PLC</td><td>±</td></tr> <tr><td>3 PLC</td><td>±.015 [0.38]</td></tr> <tr><td>4 PLC</td><td>±</td></tr> <tr><td>ANGLES</td><td>±0°30'0"</td></tr> </table>		0 PLC	±	1 PLC	±	2 PLC	±	3 PLC	±.015 [0.38]	4 PLC	±	ANGLES	±0°30'0"	PRODUCT SPEC 0425-015-0000	SIZE A3	CAGE CODE 4AFU8	DRAWING NO DTM04-12PX-L012	RESTRICTED TO -
0 PLC	±																	
1 PLC	±																	
2 PLC	±																	
3 PLC	±.015 [0.38]																	
4 PLC	±																	
ANGLES	±0°30'0"																	
MATERIAL 4		FINISH -	APPLIC. SPEC 0425-015-0000	WEIGHT 23.25g	SCALE 2:1	SHEET 2 OF 3	REV B											
Customer Drawing																		

4

3

2

1

THIS DRAWING IS UNPUBLISHED

RELEASED FOR PUBLICATION

2014

© COPYRIGHT 2013

BY TE CONNECTIVITY

ALL RIGHTS RESERVED.

LOC DIST

REVISIONS

P	LTR	DESCRIPTION	DATE	DWN	APVD
	-	SEE SHEET 1	-	-	-

DTM04-12PA-L012  
AS AN EXAMPLEBACK PANEL  
MOUNT

FRONT PANEL  
MOUNT SCALE 5:4

FRONT PANEL

BACK PANEL

**FRONT PANEL DIMENSIONS:**

- Overall width: 1.615 [41.02]
- Distance from left edge to center of mounting hole: .855 [21.72]
- Distance between mounting holes: 1.770 [44.96]
- Distance from center of mounting hole to center of contact: .540 [13.72]
- Distance from center of contact to right edge: .940 [23.88]
- Distance from top edge to center of contact: .836 [21.23]
- Distance from top edge to center of mounting hole: .620 [15.75]
- Distance from bottom edge to center of contact: .540 [13.72]
- Distance from bottom edge to center of mounting hole: .940 [23.88]
- Radius of contact: 4X R.030 [.76]
- Radius of mounting hole: 4X R.060 [1.52]
- Radius of mounting hole: 4X R.278 [7.06]
- Thread: 4X 6-32 THREAD [M4]

**BACK PANEL DIMENSIONS:**

- Overall width: 1.770 [44.96]
- Distance from left edge to center of mounting hole: 1.224 [31.09]
- Distance between mounting holes: 1.770 [44.96]
- Distance from center of mounting hole to center of contact: .544 [13.82]
- Distance from center of contact to right edge: .940 [23.88]
- Distance from top edge to center of contact: .775 [19.67]
- Distance from top edge to center of mounting hole: .649 [16.48]
- Distance from bottom edge to center of contact: .649 [16.48]
- Distance from bottom edge to center of mounting hole: .940 [23.88]
- Radius of contact: 2X R.030 [.76]
- Radius of mounting hole: 4X R.030 [.76]
- Radius of mounting hole: 4X R.171 [4.34]
- Thread: 4X 6-32 THREAD [M4]

RECOMMENDED MOUNTING HOLE

THIS DRAWING IS A CONTROLLED DOCUMENT.

DWN 21NOV2013  
A. MALAGONCHK 27OCT2014  
BOB MILLIGANAPVD 27OCT2014  
DAVID MEYER

PRODUCT SPEC

0425-015-0000

APPLICATION SPEC

0425-015-0000

WEIGHT 23.25g

TE Connectivity

NAME  
RECPTACLE, 12 SIZE #20 CONTACTS  
DTM SERIES  
-L012 MOD

SIZE CAGE CODE DRAWING NO RESTRICTED TO

A3 4AFU8 ©-DTM04-12PX-L012 -

Customer Drawing SCALE 2:1 SHEET 3 OF 3 REV B

DIMENSIONS:  
INCHES [mm]TOLERANCES UNLESS  
OTHERWISE SPECIFIED:

0 PLC	±
1 PLC	±
2 PLC	±
3 PLC	±.015 [0.38]
4 PLC	±
ANGLES	±0°30'0"

MATERIAL

FINISH

-

1470-19 (3/11)