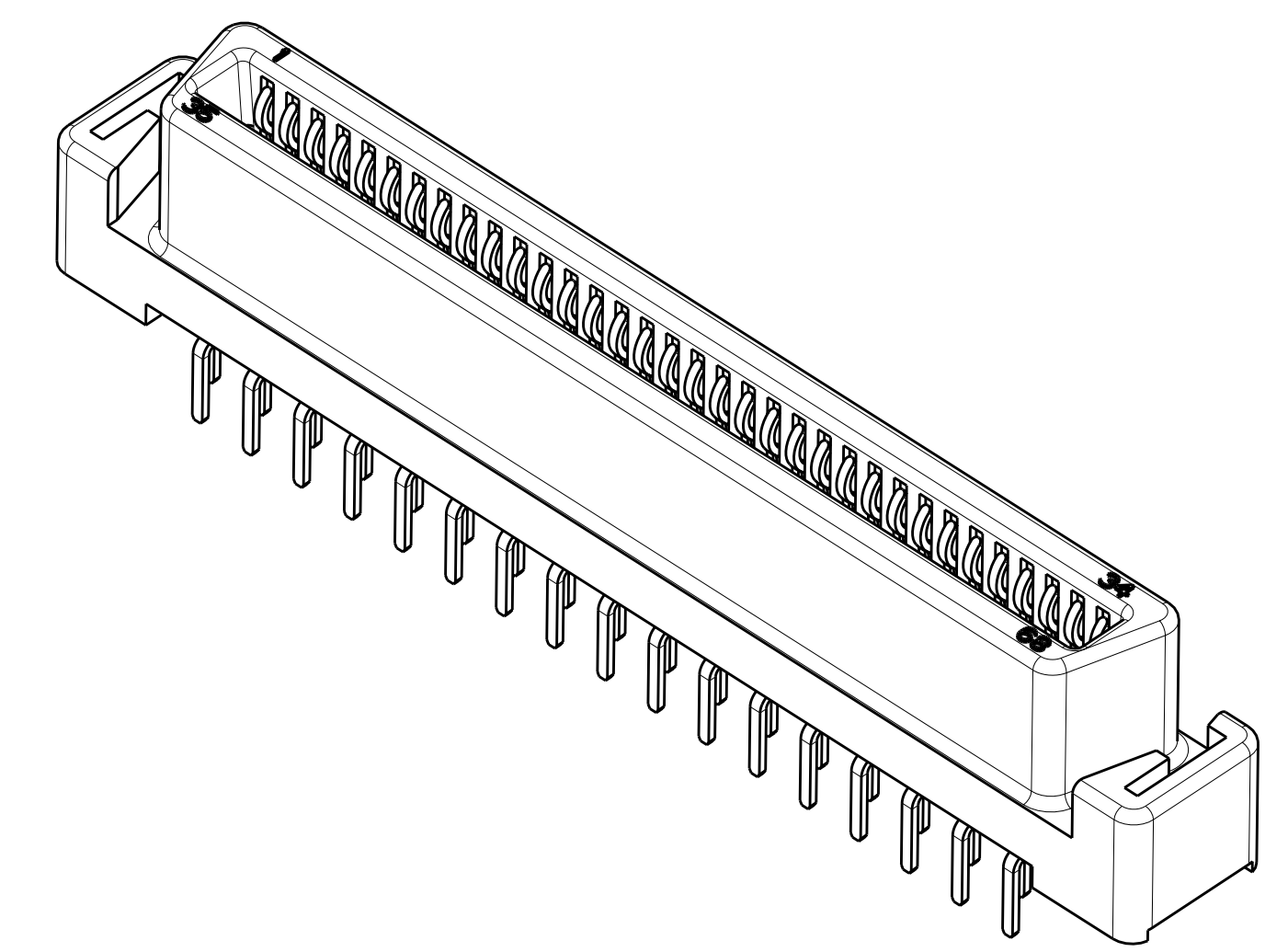
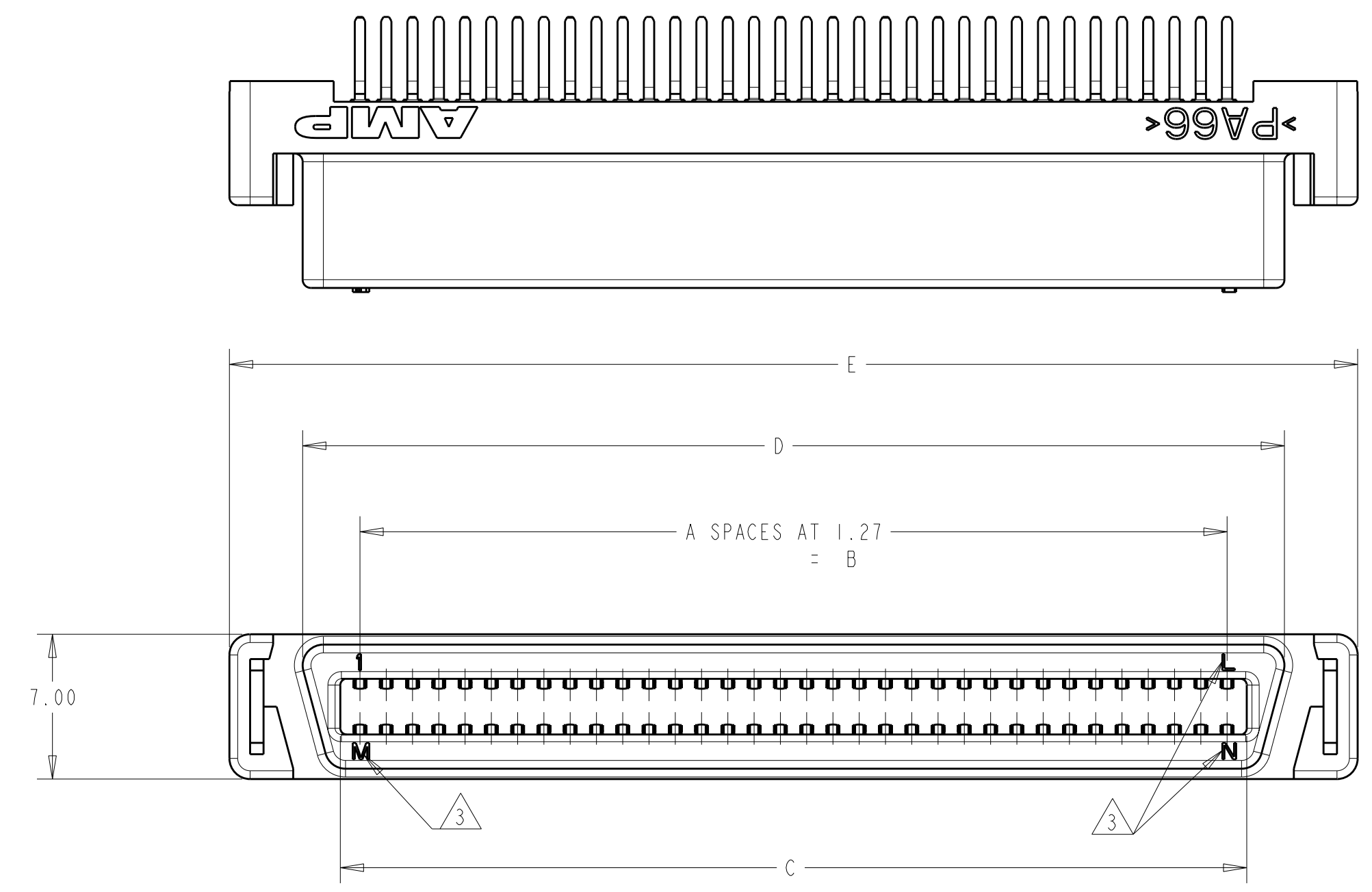
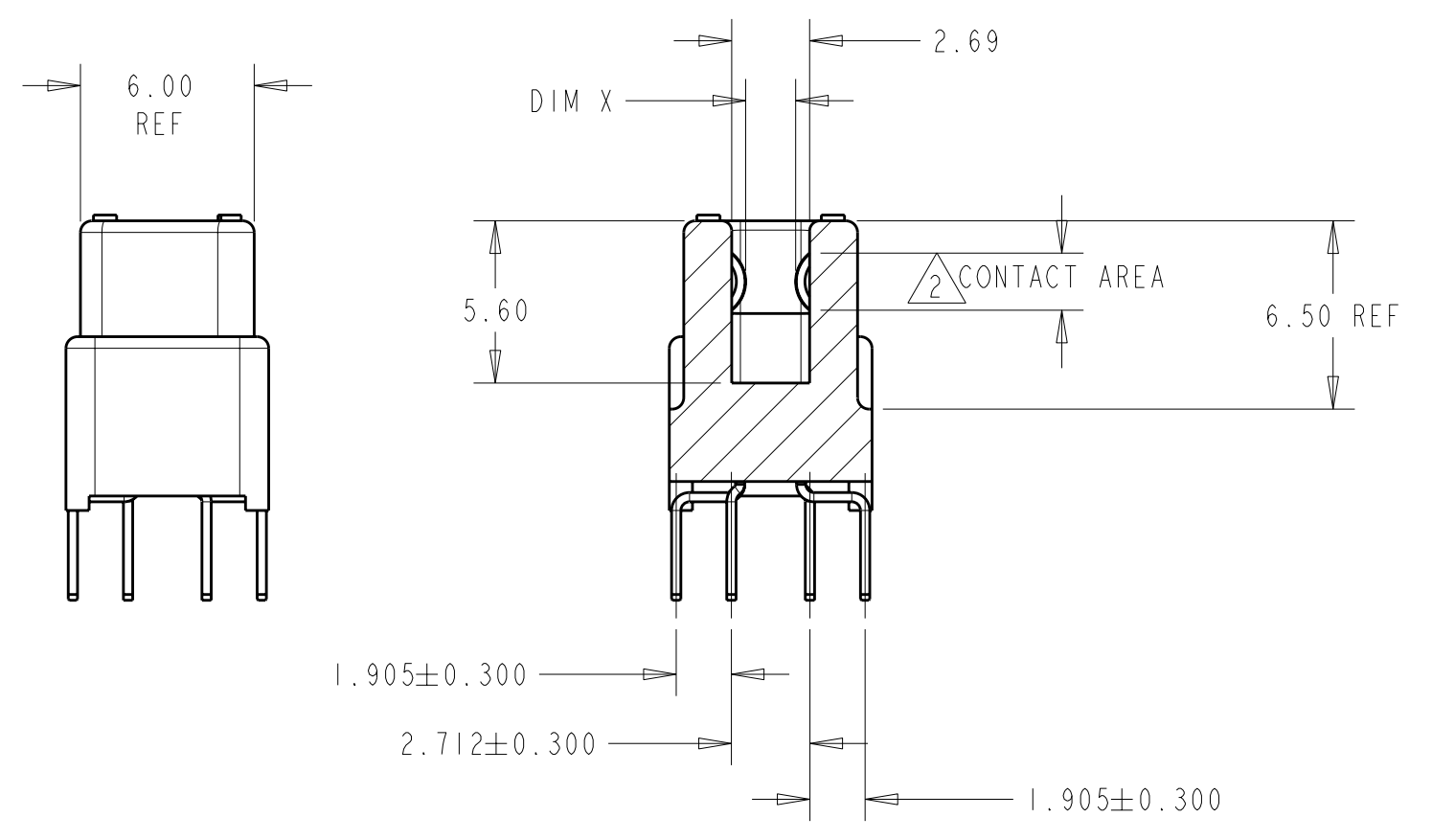
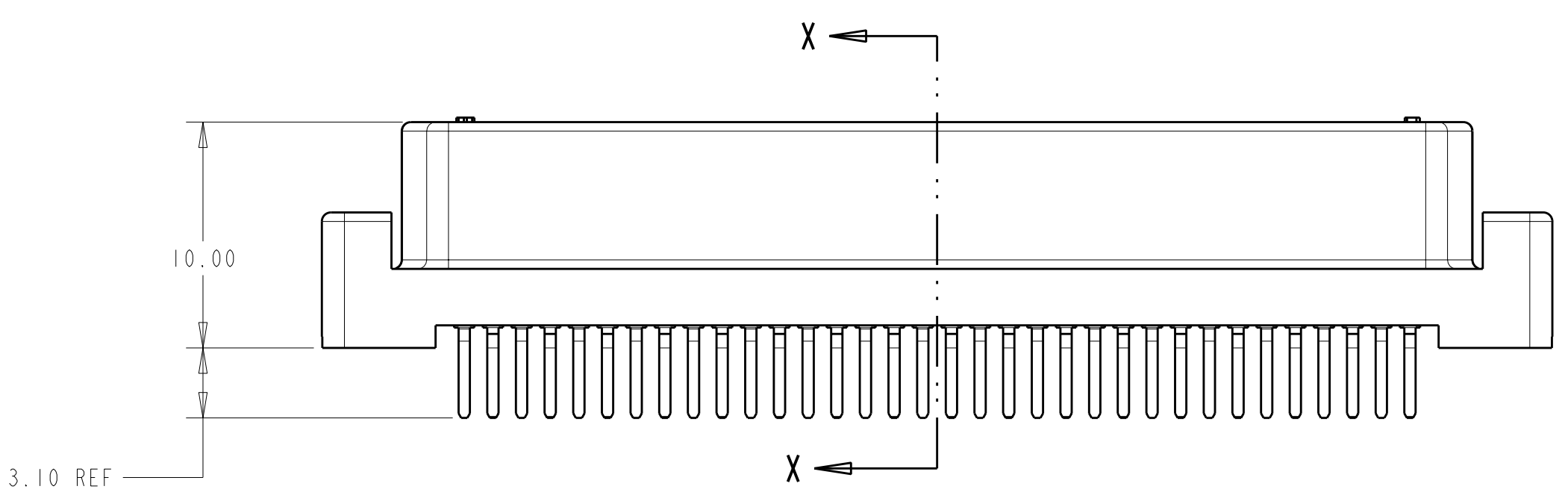


LOC		DIST		REVISIONS			
AD	00	P	LTH	DESCRIPTION	DATE	DWN	APVD
		A		ECO-07-018183	25SEP2007	RB	MM

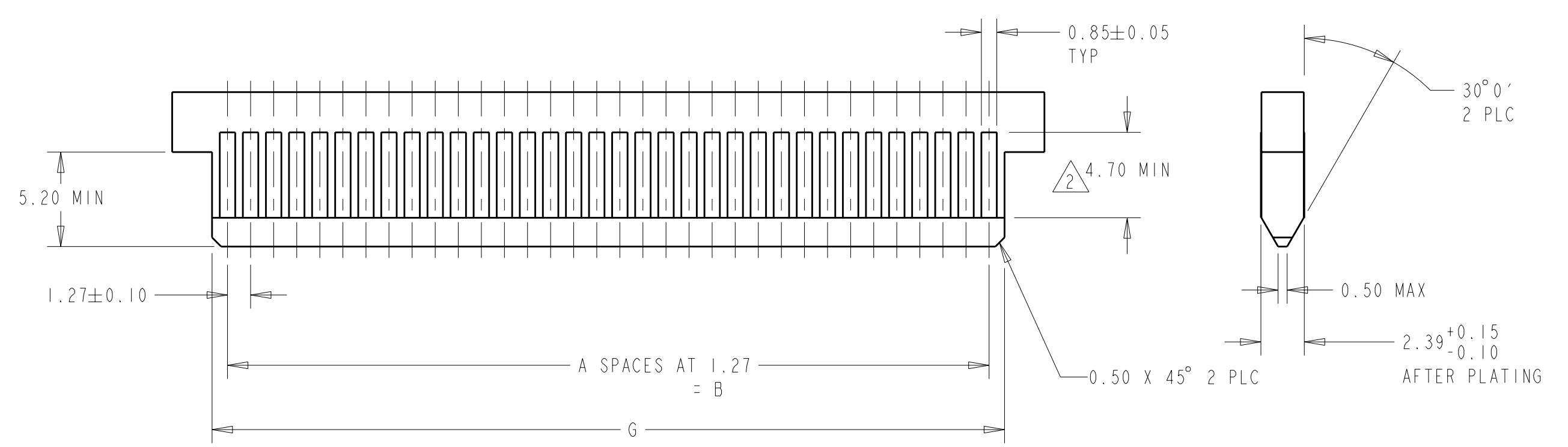
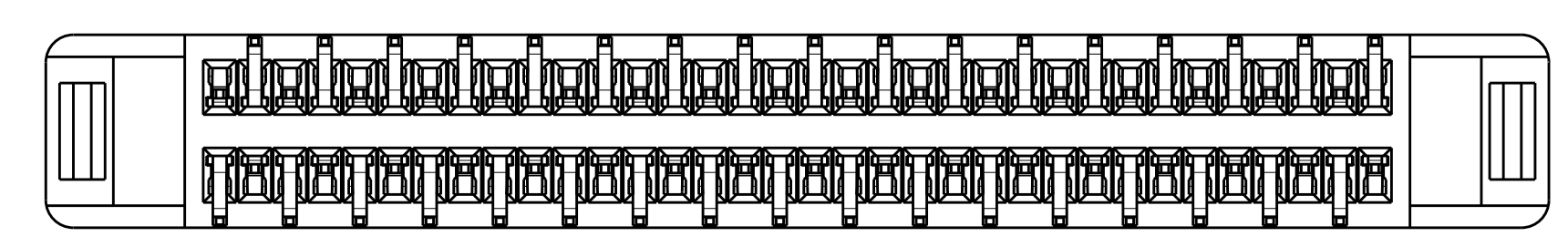


SCALE 4:1

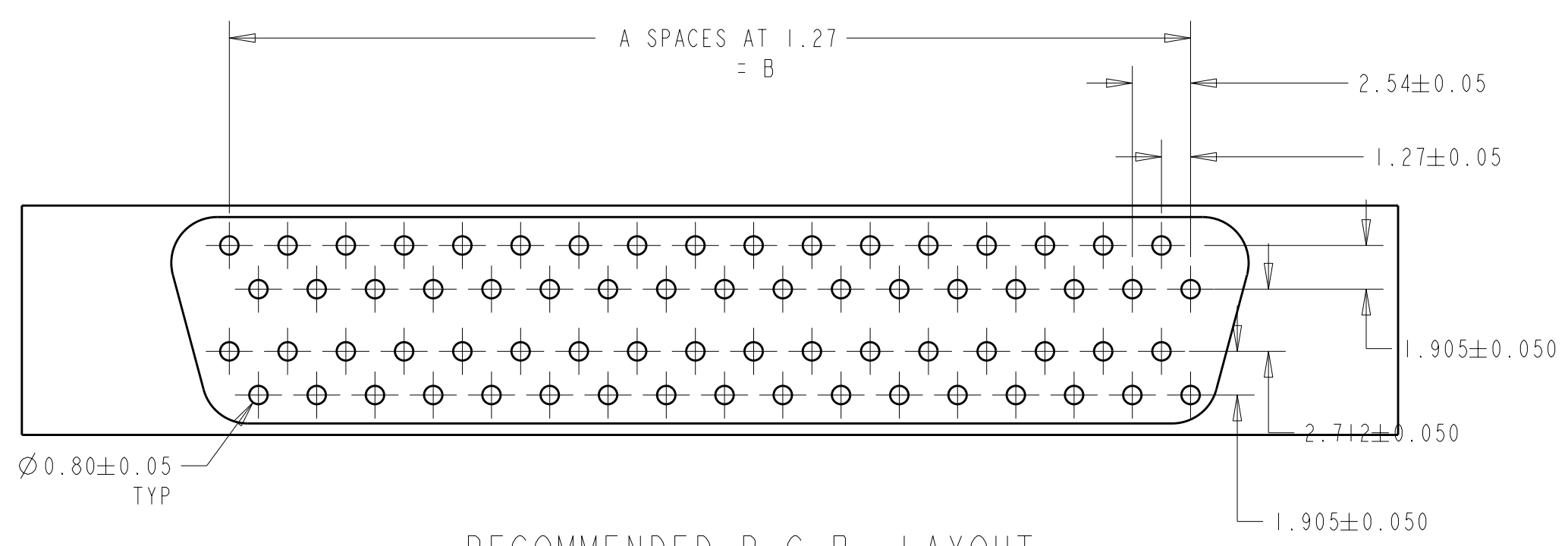


SECTION X-X

- 1 MATERIAL: HOUSING, 6/6 NYLON, 25% GLASS, UL 94V-0, COLOR: BLACK  
CONTACT: PHOSPHOR BRONZE
- 2 FINISH: CONTACTS, 0.76 μm GOLD IN CONTACT AREA,  
TIN-LEAD ON SOLDER TAILS ALL OVER NICKEL  
PCB PAD (CARD-EDGE), 1.5μm GOLD OVER NICKEL
- 3 REFER TO TABLE FOR CIRCUIT IDENTIFICATION NUMBERS "L", "M" AND "N".
- 4 MATERIAL: HOUSING, 6/6 NYLON, 25% GLASS, UL 94V-0, COLOR: BLACK  
CONTACT: BeCu
- 5 PRELIMINARY PART - NOT RELEASES FOR PRODUCTION



RECOMMENDED P.C.B. LAYOUT (CARD EDGE)



RECOMMENDED P.C.B. LAYOUT (CONNECTOR MOUNT SIDE)

4	5	0.864	100	51	50	63.93	74.85	67.77	64.81	62.23	49	100	1445444-4
		0.864	68	35	34	43.61	54.53	47.45	43.81	41.91	33	68	1445444-3
		1.73	100	51	50	63.93	74.85	67.77	64.13	62.23	49	100	1445444-2
		1.73	68	35	34	43.61	54.53	47.45	43.81	41.91	33	68	1445444-1
		X	N	M	L	G	E	D	C	B	A	NO OF POS.	PART NUMBER

DIMENSIONS: mm 		TOLERANCES UNLESS OTHERWISE SPECIFIED: 9 PLC ± 8 PLC ±0.13 5 PLC ± 4 PLC ± ANGLES ±1		DWN D. FABIAN 30MAR2007 CHK - APVD - NAME PRODUCT SPEC 108-2068 APPLICATION SPEC WEIGHT - CUSTOMER DRAWING		Tyco Electronics Harrisburg, PA 17105-3608 RECEPACLE, VERTICAL CARD EDGE CONNECTOR SIZE CAGE CODE DRAWING NO RESTRICTED TO A11 00779 C=1445444 SCALE 3:1 SHEET 1 OF 1 REV A	
-----------------------	--	---	--	---	--	--	--