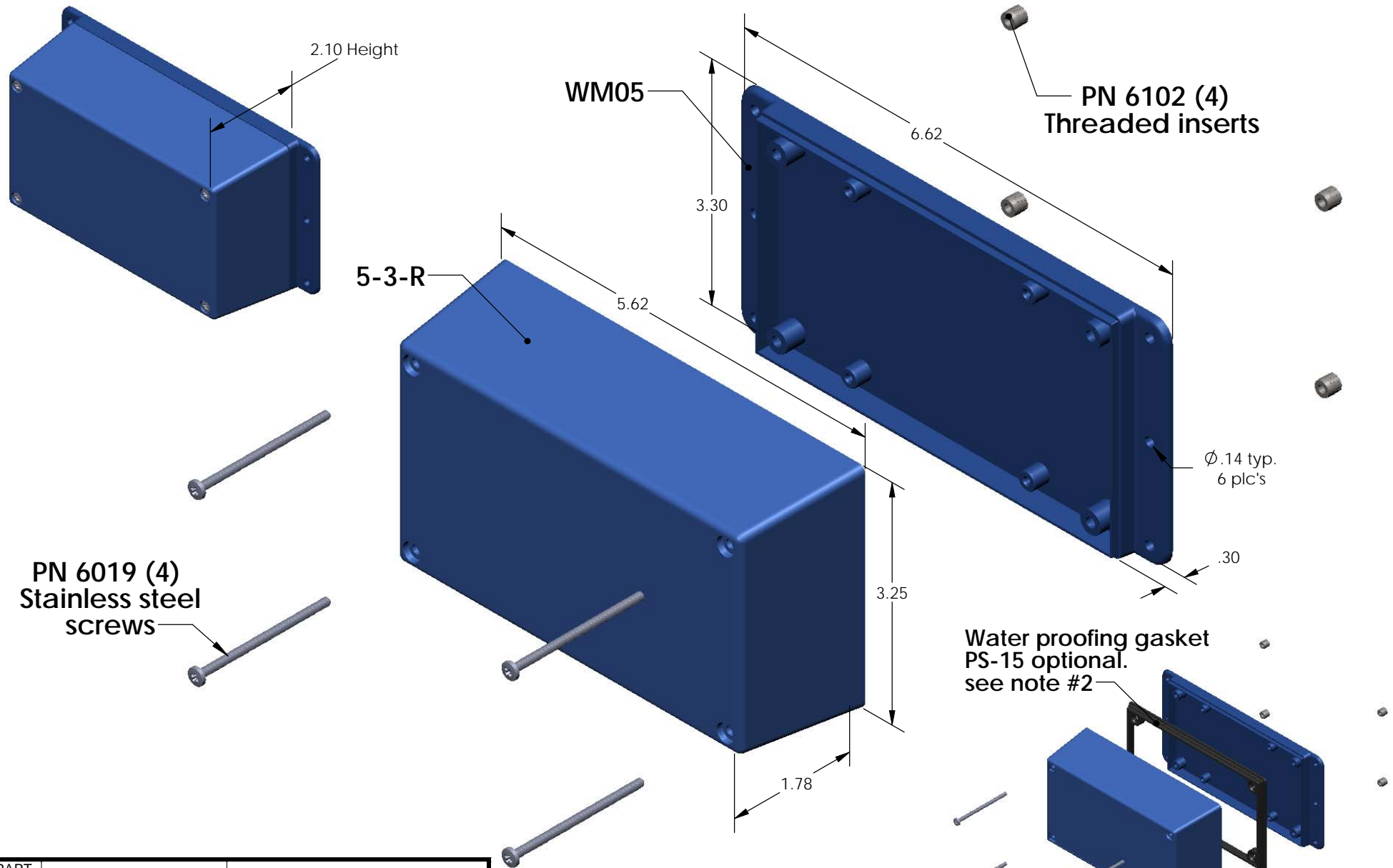


# SERPAC **WM053-R** (exploded isometric)

Electronic Enclosures



PART NO.	DESCRIPTION (Included)	ACCESSORIES (Optional)	
5-3-R	TOP	PART NO.	DESCRIPTION
WM05	BOTTOM	50	Non-skid Feet
6019	4-40 SCREW (4)	PS-15	Perimeter Seal
6102	THREADED INSERTS (4)		

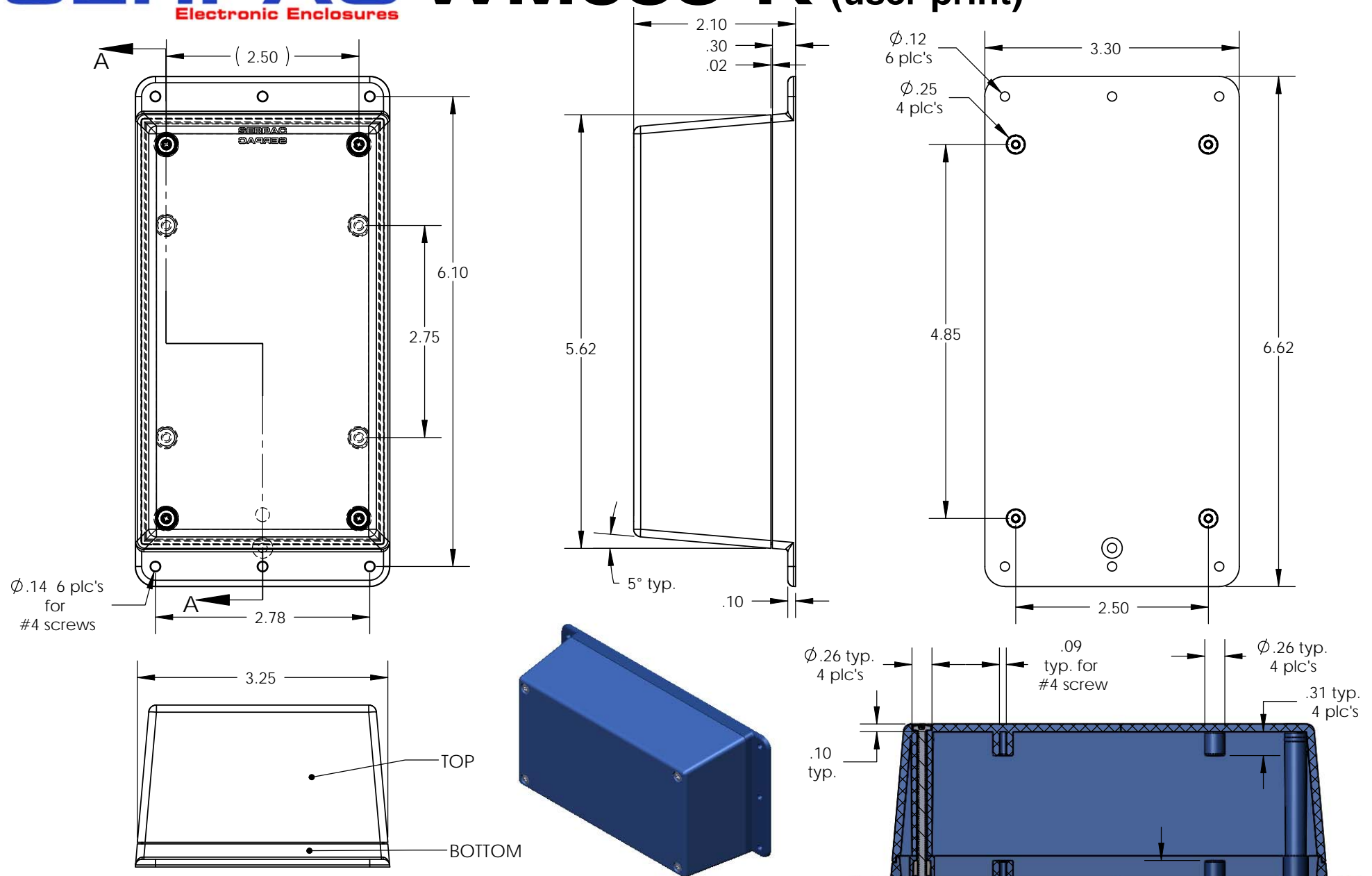
Notes:  
 1) Enclosure meets or exceeds IP40 and NEMA 1  
 2) When used with PS-15 the enclosure meets or exceeds IP 67 and NEMA 4X, 12 and 13 MIL-STD-810G 506.5  
 3) Circuit Board drawings can be download at:  
[http://www.serpac.com/Products/Sseries/x5x/drawings/X53\\_top-CB.pdf](http://www.serpac.com/Products/Sseries/x5x/drawings/X53_top-CB.pdf)  
 4) All components are RoHS Compliant.

Water proofing gasket  
 PS-15 optional.  
 see note #2

**ALL DIMENSIONS ARE ± .010" 6/02/09 (1 of 2)**  
**619 Commercial Ave. Covina, CA 91723**  
 Ph. (626) 331-0517 Fx. (626) 331-8584 [serpac.com](http://serpac.com)

# SERPAC WM053-R (user print)

Electronic Enclosures



PART NO.	DESCRIPTION (Included)	ACCESSORIES (Optional)	
5-3-R	TOP	PART NO.	DESCRIPTION
WM05	BOTTOM	50	Non-skid Feet
6019	4-40 SCREW (4)	PS-15	Perimeter Seal
6102	THREADED INSERTS (4)		

- Notes:
- 1) Enclosure meets or exceeds IP40 and NEMA 1
  - 2) When used with PS-15 the enclosure meets or exceeds IP 67 and NEMA 4X, 12 and 13 MIL-STD-810G 506.5
  - 3) Circuit Board drawings can be download at: [http://www.serpac.com/Products/Sseries/x5x/drawings/X53\\_top-CB.pdf](http://www.serpac.com/Products/Sseries/x5x/drawings/X53_top-CB.pdf)
  - 4) All components are RoHS Compliant.

ALL DIMENSIONS ARE ± .010" 6/02/09 (2 of 2)  
 619 Commercial Ave. Covina, CA 91723  
 Ph. (626) 331-0517 Fx. (626) 331-8584 www.serpac.com

