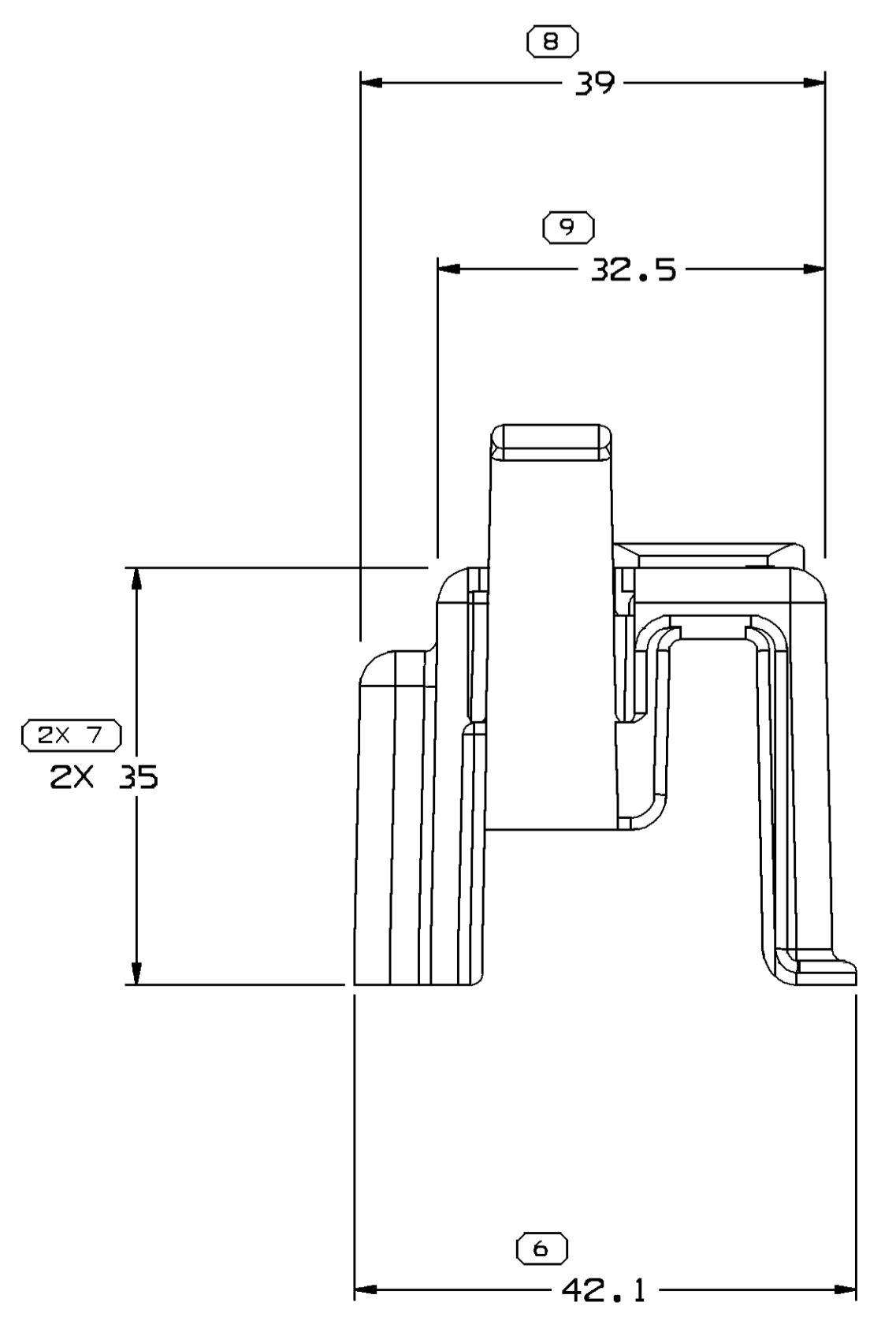
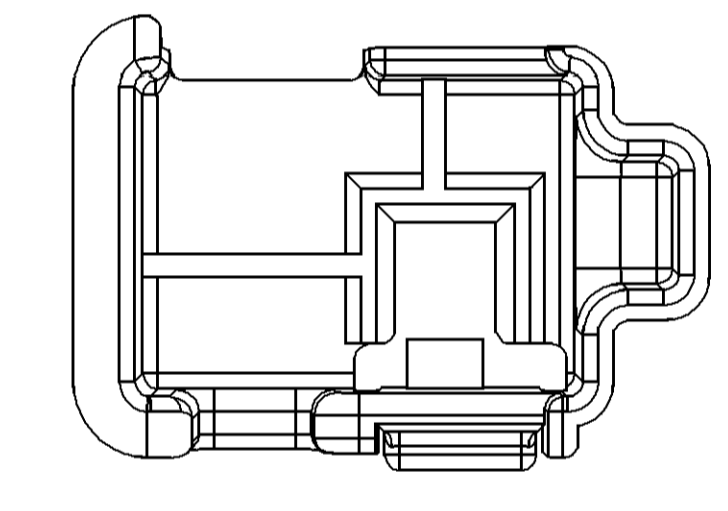
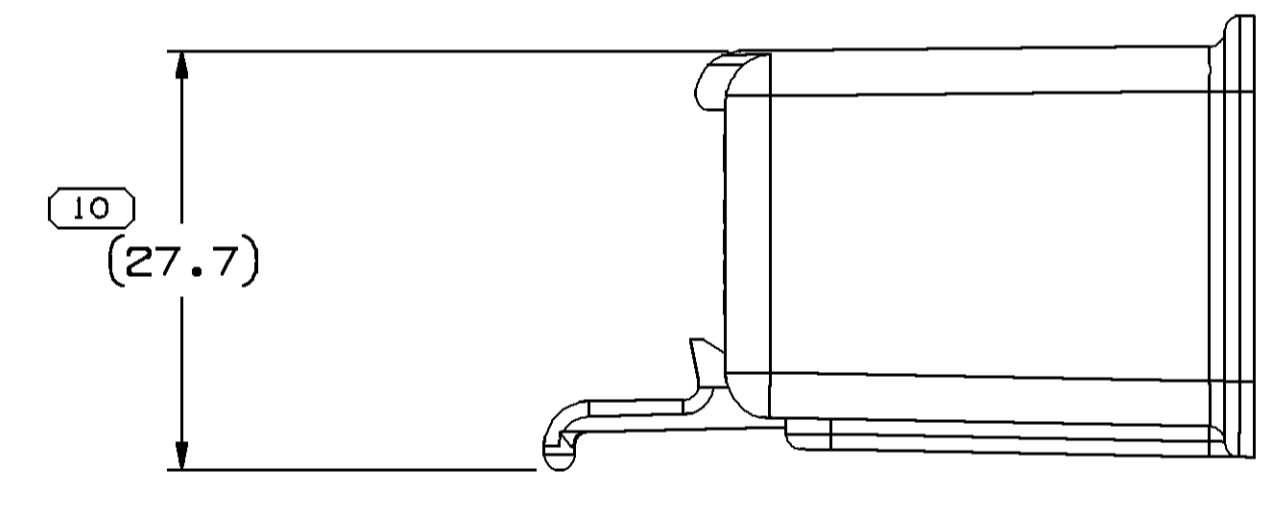
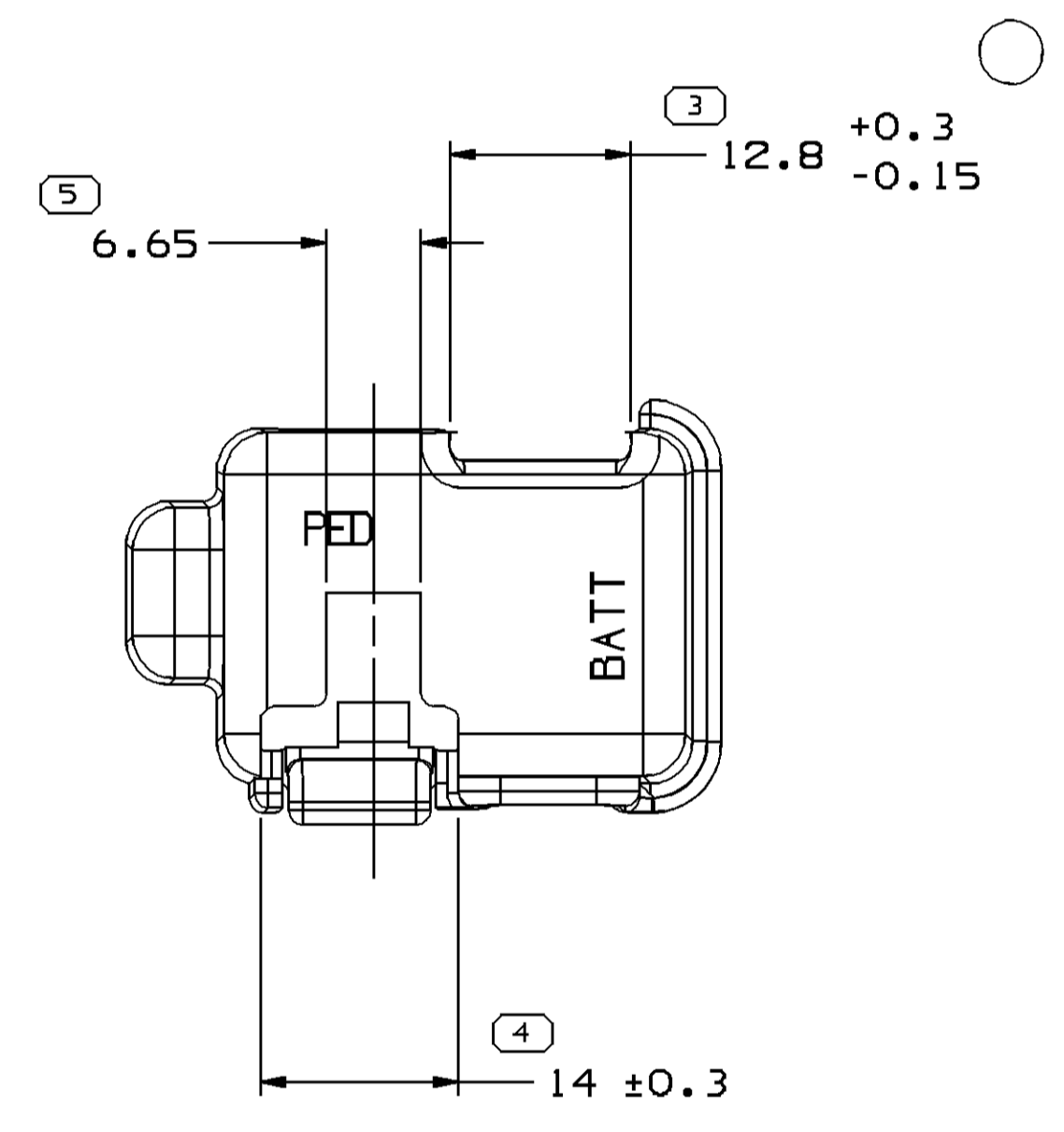
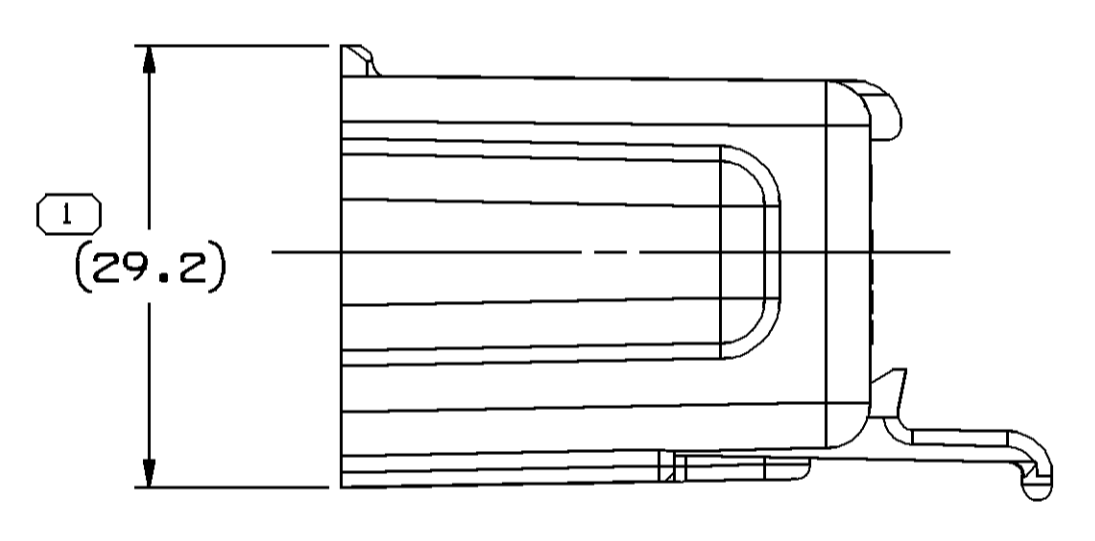
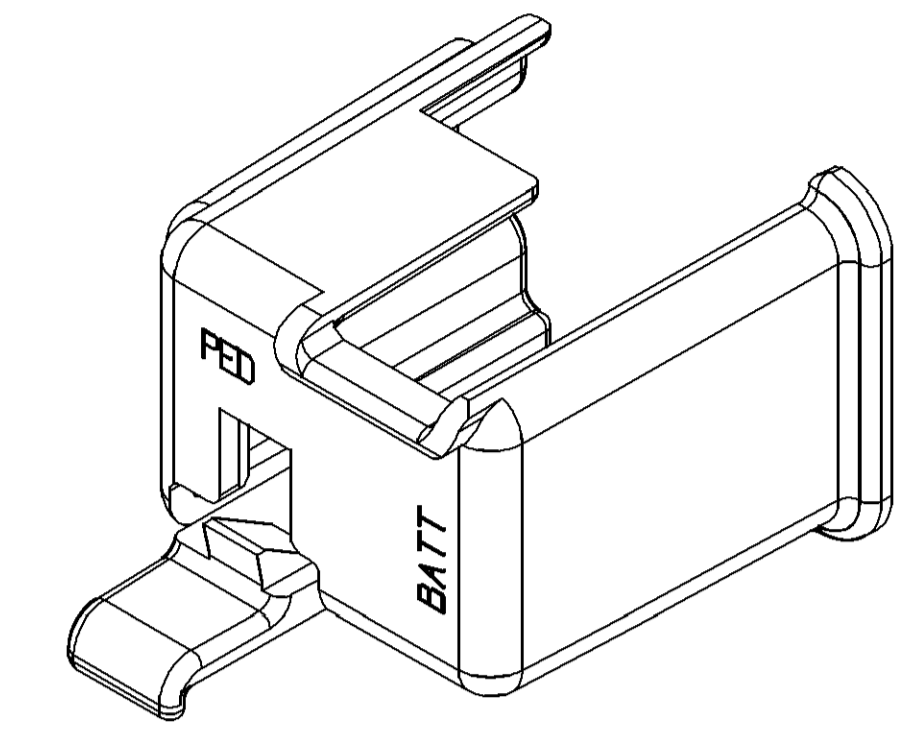
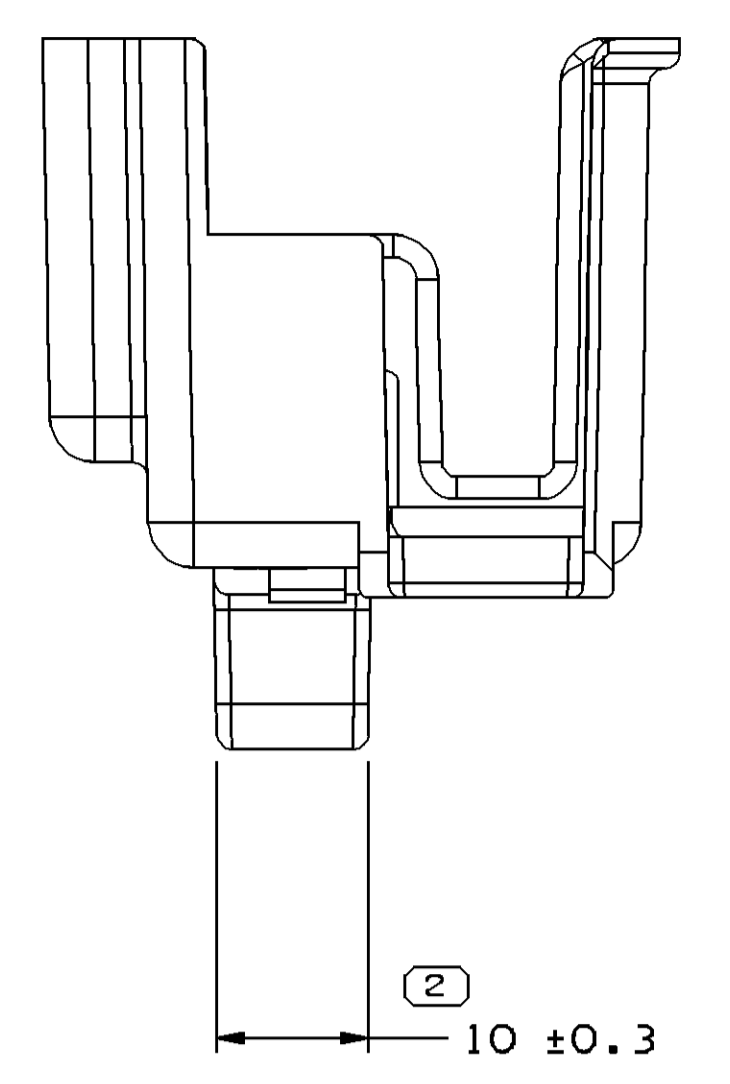


SYMBOL DEFINITION		MISSING SYMBOLS		DWG STATUS				REVISION HISTORY				AUTH		DR		APVD		
A DIMENSION WITHOUT AN INSPECTION REPORT SYMBOL DOES NOT REQUIRE INSPECTION. IT MAY BE CONTROLLED ON THE INDIVIDUAL COMPONENT DRAWING.		TOTAL NO OF INSPECTIONS REQUIRED	NO MISSING SYMBOL NUMBER	DATE	STG	REV	N/P	CHG	ZONE									
		11		13NO08	R	D1	-	-		REDRAWN TO PD1 DIM 12.8 +0.3/-0.15 WAS 12.8 +0.25/-0.15 & UPDATED MAT'L CALLOUT				406735	RGT	ECB	APV1	APV2
		LAST NO. USED																
		10																



NOTES

- UNLESS OTHERWISE SPECIFIED AND/OR INDICATED:
DIMENSIONS ARE TO FACE OF VIEW SHOWN AND AUTOMATICALLY ROUNDED BY COMPUTER FOR INSPECTION (SEE MATH MODEL FOR PRECISE DIMENSIONS). FOR ALL OTHER DIMENSIONS NOT SHOWN BUT REQUIRED FOR TOOL BUILD, SEE MATH MODEL FOR PRECISE TOOL PATH DATA.
- MATERIAL RECYCLING CODE PER ISO 11469. (2.31X(0.1) CHARACTERS AS SHOWN TO BE LOCATED ON ANY EXTERIOR SURFACE. OPTIONAL CONSTRUCTION TO BE NO MATERIAL RECYCLING CODE.
- THIS PRODUCT IS NOT CATEGORIZED AS AN APPEARANCE ITEM, MINOR IMPERFECTIONS INCLUDING, BUT NOT LIMITED TO, FLOW MARKS, COLOR BLEMISHES, GATE VESTIGE, AND SOFT FLASH THAT DO NOT AFFECT THE FIT, FORM, OR FUNCTION OF THE PART ARE PERMISSIBLE PER NAP 4.10-18.
- THIS PART IS NOT CONTROLLED FOR AUTOMATIC FEEDING.
- REFERENCE MATING COMPONENTS OR EQUIVALENT:
MODULE BASE 12077534
- (2.31X(0.1) DELPHI CORPORATE BRAND TO BE LOCATED ON ANY EXTERIOR SURFACE, PREFERABLY VISIBLE AT FINAL ASSEMBLY. OPTIONAL CONSTRUCTION FOR EXISTING TOOLING MAY BE "PED" OR NO LOGO.

Dwg Type: PART DRAWING										
Style:	D									
Volume: 10/1	DISTR CODE:									
7,574										
UNLESS OTHERWISE SPECIFIED										
THIS DOCUMENT IS IN ACCORDANCE WITH ASME Y14.5M-1994 AS AMENDED BY THE IN-SUPPLY DIMENSIONING AND TOLERANCE ADDENDUM-2009. SEPARATE WRITINGS OF FEATURES MAY BE BASED SEPARATELY PER POLICE OF DIMEN REFERENCES.										
ALL DIMENSIONS ARE IN MILLIMETERS										
REFERENCE										
(6) PROCESS SENSITIVE DIMENSION										
DIMENSIONS ENCLOSED IN () INDICATE REFERENCE DIMENSIONS AND NO TOLERANCE LIMITS ARE ESTABLISHED										
DIMENSIONAL RANGE (MM)										
FROM	> 0	> 20	> 30	> 70	> 100	> 150	> 200	> 250	> 300	SHORT ET
TO	20	30	70	100	150	200	250	300	400	
TOLERANCE UNLESS OTHERWISE SPECIFIED										
[0,15] ±0,2		[0,3]		[0,4]		[0,5]		[0,6]		[0,8]
ANGULAR TOLERANCE 20°										
THIRD ANGLE PROJECTION		DO NOT SCALE		USE MATH DATA		NX				

DELPHI
DELPHI PACKARD ELECTRICAL/ELECTRONIC ARCHITECTURE
MVPEN, DI

DR	DATE
APV01 RAUL GUTIERREZ	13NO08
APV02 SERGIO CORTES	13NO08
APV03 ALFREDO ESTRADA	13NO08
APV04	
APV05	
SUBSTANCES OF CONCERN AND RECYCLED CONTENT PER DELPHI 10949001	
MATERIAL: POLYAMIDE COMPOUND RED	
DRAWING NAME: COV FUSE	
DRAWING NUMBER: 12092332	
SIZE: A0	SCALE: 2:1
FRM: NO 1	SHEET NO 1 OF 1
STG: R	REV: D1