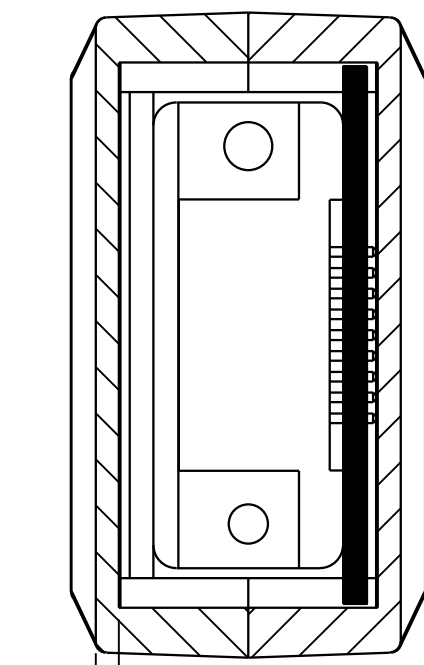
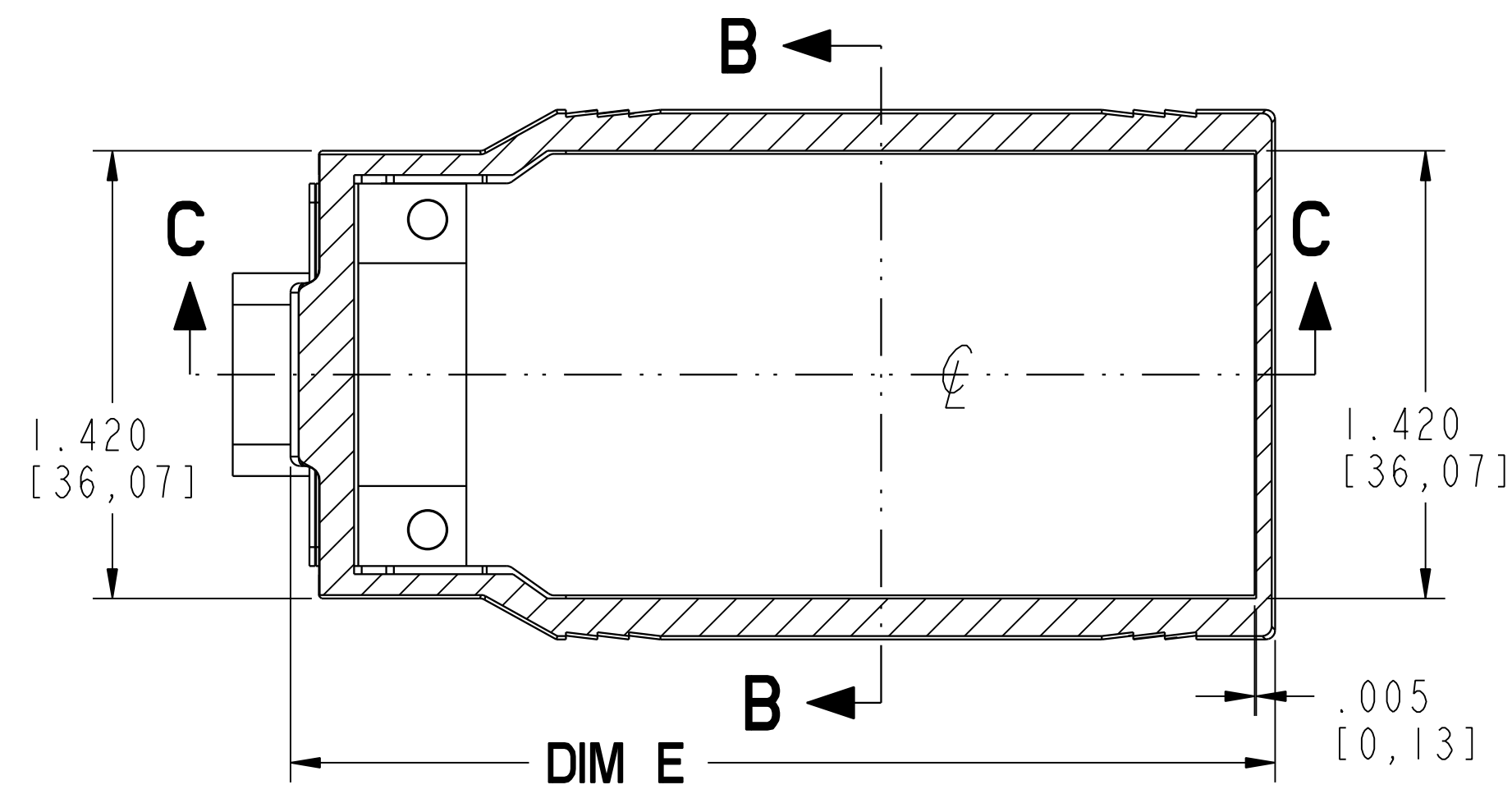


1.266
[32,16]

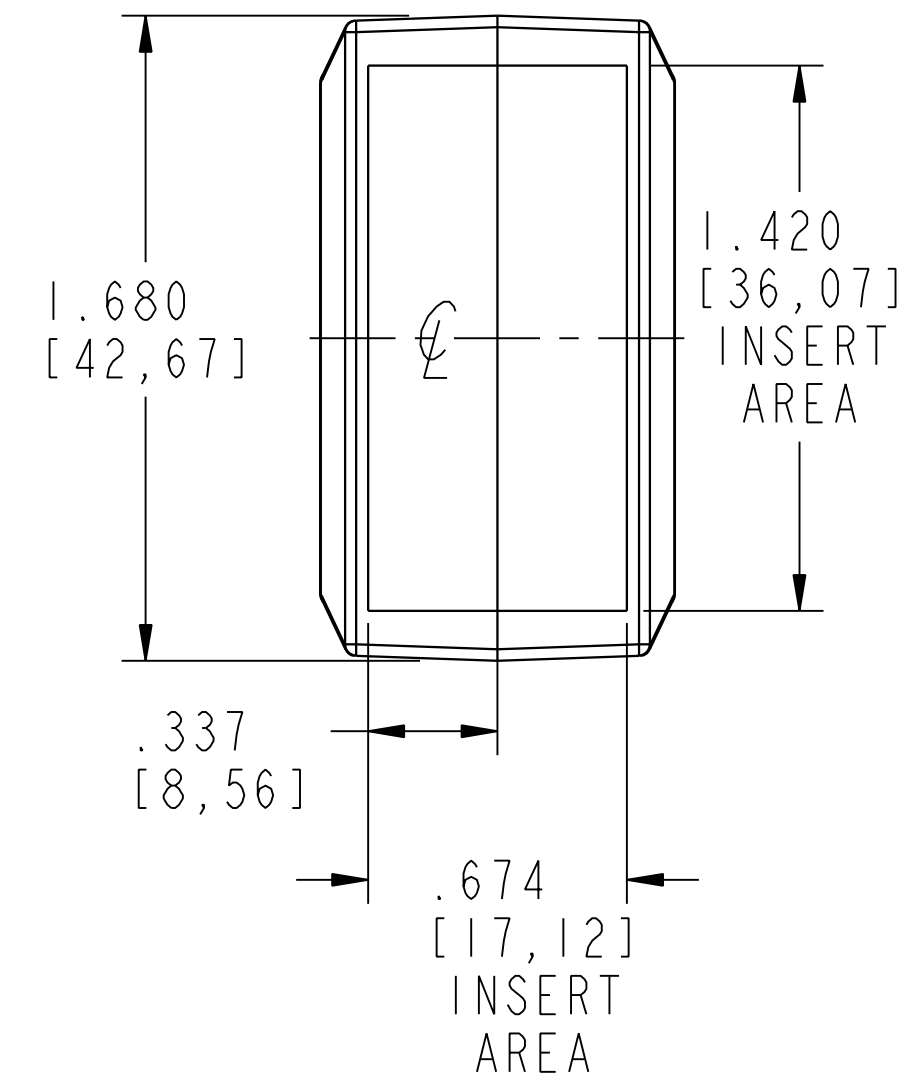


.060
[1,52]
WALL

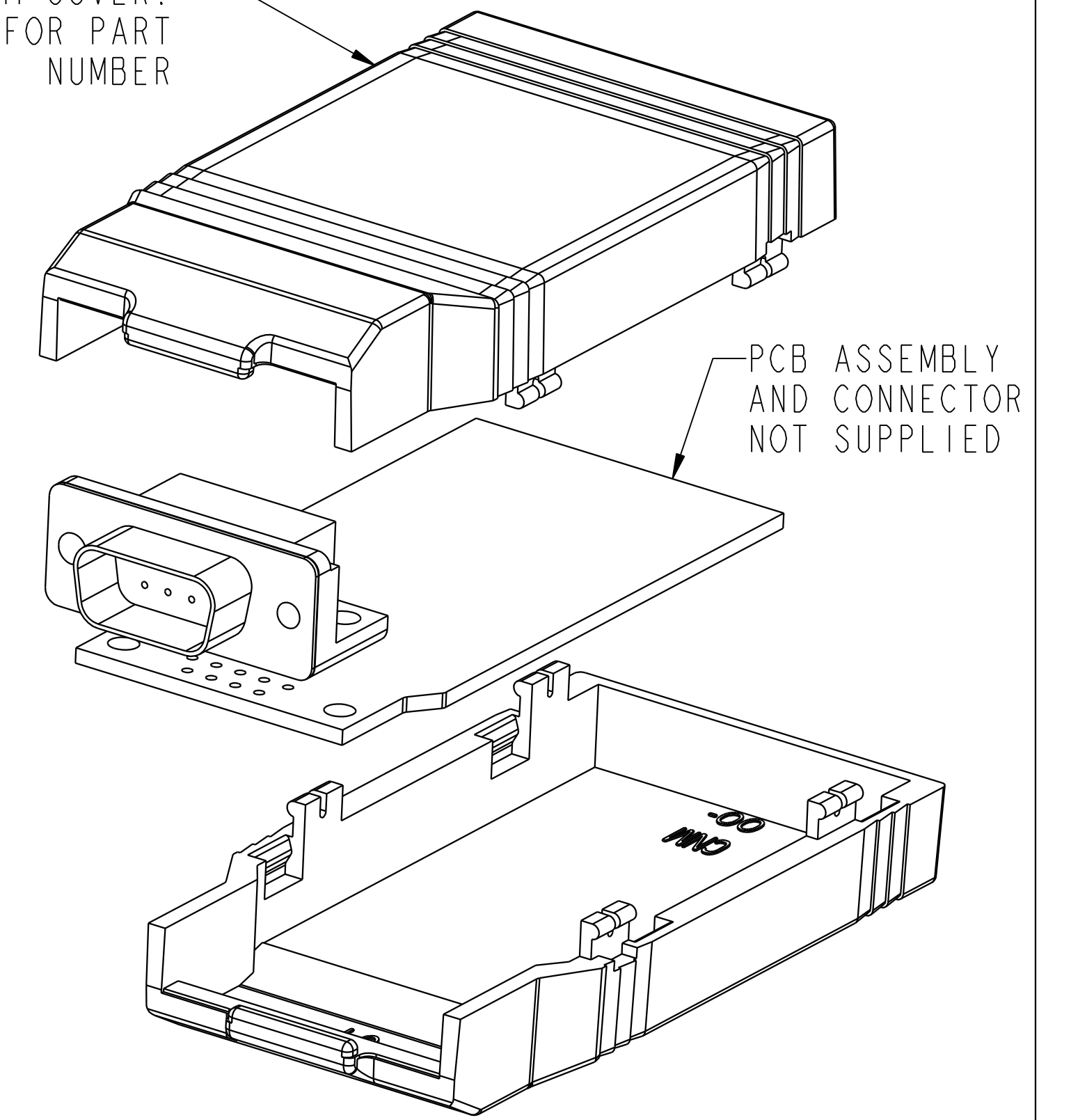
SECTION B-B



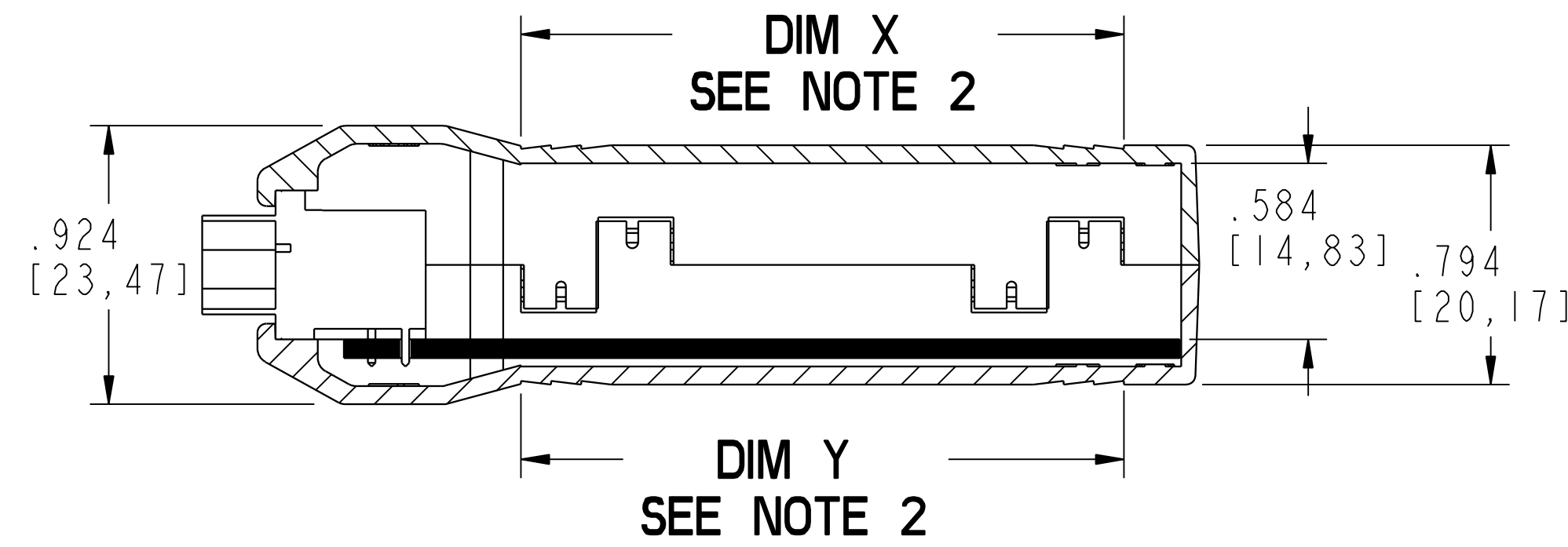
SECTION A-A



TOP AND BOTTOM COVER.
SEE TABLE 1 FOR PART
NUMBER



PCB ASSEMBLY
AND CONNECTOR
NOT SUPPLIED



SECTION C-C

NOTES:

1. ACTUAL PCB LENGTH IS A PRODUCT OF THE CONNECTOR SELECTED.
2. DIM X AND Y ARE TOP AND BOTTOM COVER INSERT AREA X 1.450 [36,83] WIDE.

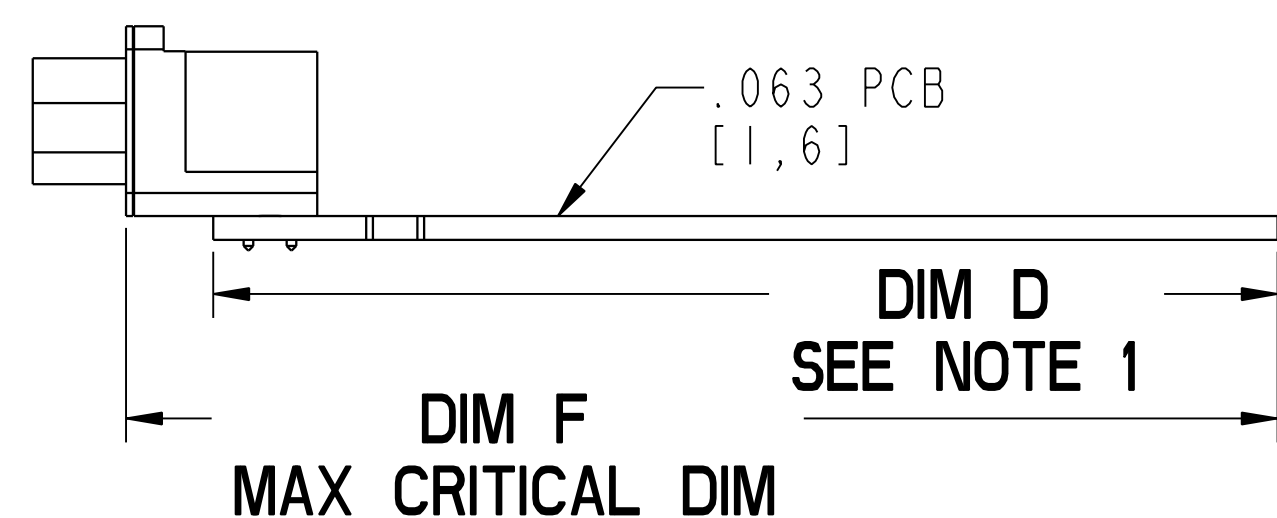
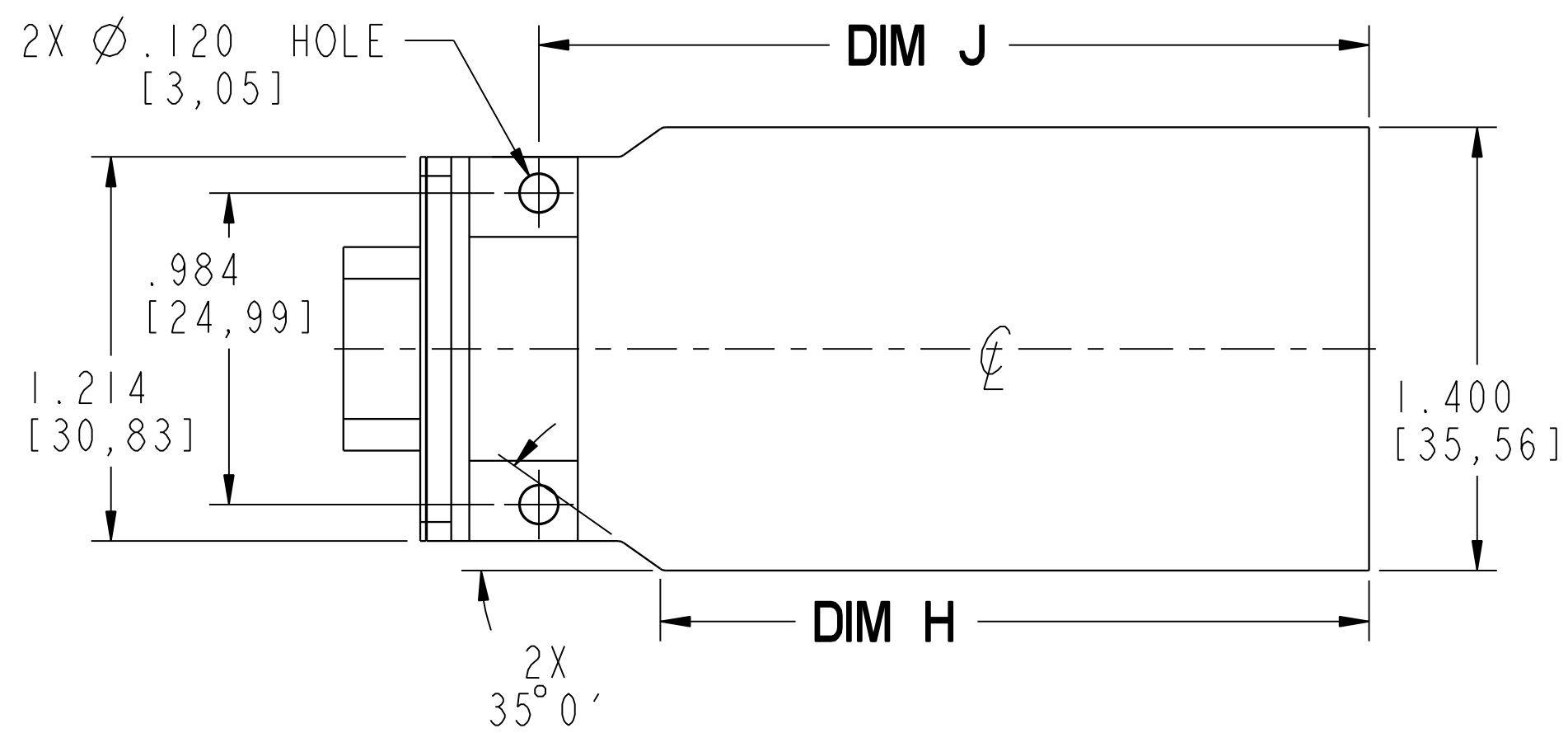


TABLE 1

CN SIZE	S	M	L
HOUSING PART NUMBER	CNS-0004	CNM-0004	CNL-0004
DIM D PCB SIZE	2.272 [57,71]	2.772 [70,41]	3.272 [83,11]
DIM E OVERALL SIZE	2.624 [66,65]	3.124 [79,35]	3.624 [92,05]
DIM F CRITICAL DIM	2.499 [63,47]	2.999 [76,17]	3.499 [88,87]
DIM H	1.740 [44,20]	2.240 [56,90]	2.740 [69,60]
DIM J	2.124 [53,95]	2.624 [66,65]	3.124 [79,35]
DIM X & Y INSERT AREA	1.500 [38,10]	2.000 [50,80]	2.500 [63,50]

DB9 R ANGLE CONNECTOR OR
DB15HD R ANGLE CONNECTOR
TO BLANK END

PACNTEC[®]
1-610-361-4231

CN -0004 SERIES
SEE TABLE 1

VISIT **PACNTEC**[®]
ON THE WORLD WIDE WEB
www.pactecenclosures.com

COLOR / MATERIAL / CODE		
COLOR	94HB	94V-0
BLACK	000	028
PC BONE	039	060

INSERT AREAS ARE SECTIONS IN OUR TOOLS
THAT CAN BE REMOVED AND REPLACED WITH
CUSTOMER SPECIFIC DETAILS

DRAWING NUMBER	REV
79568	D