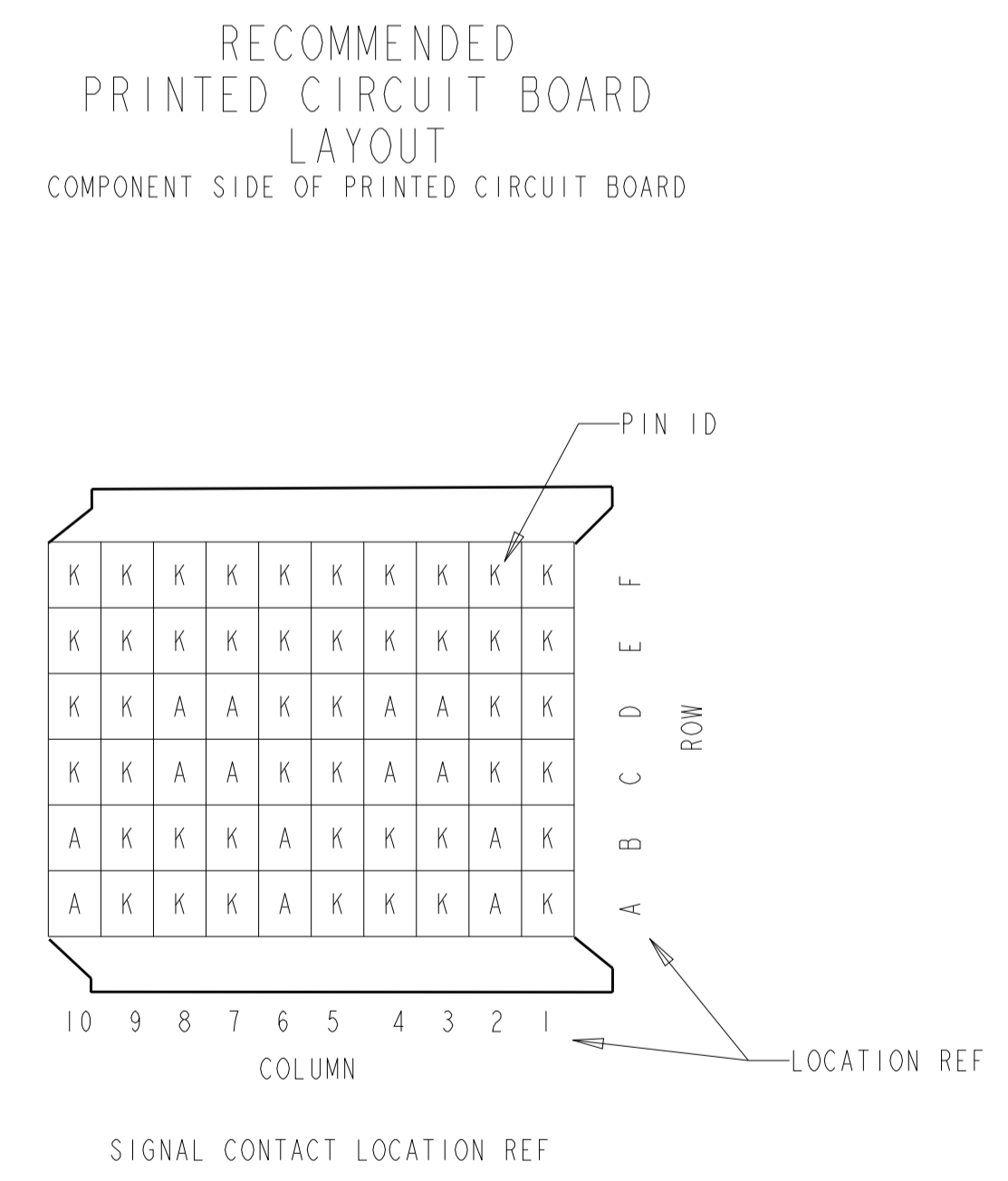
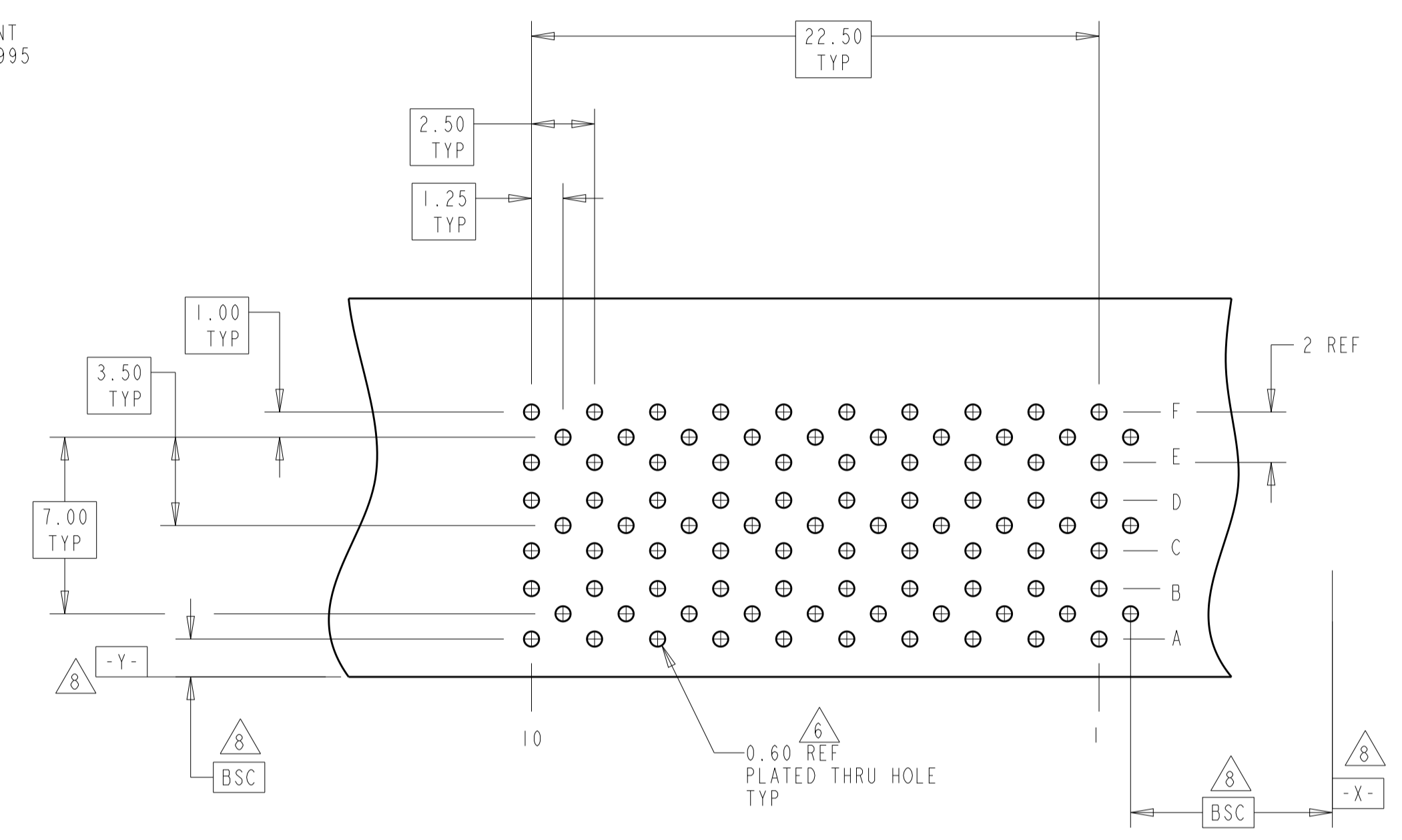
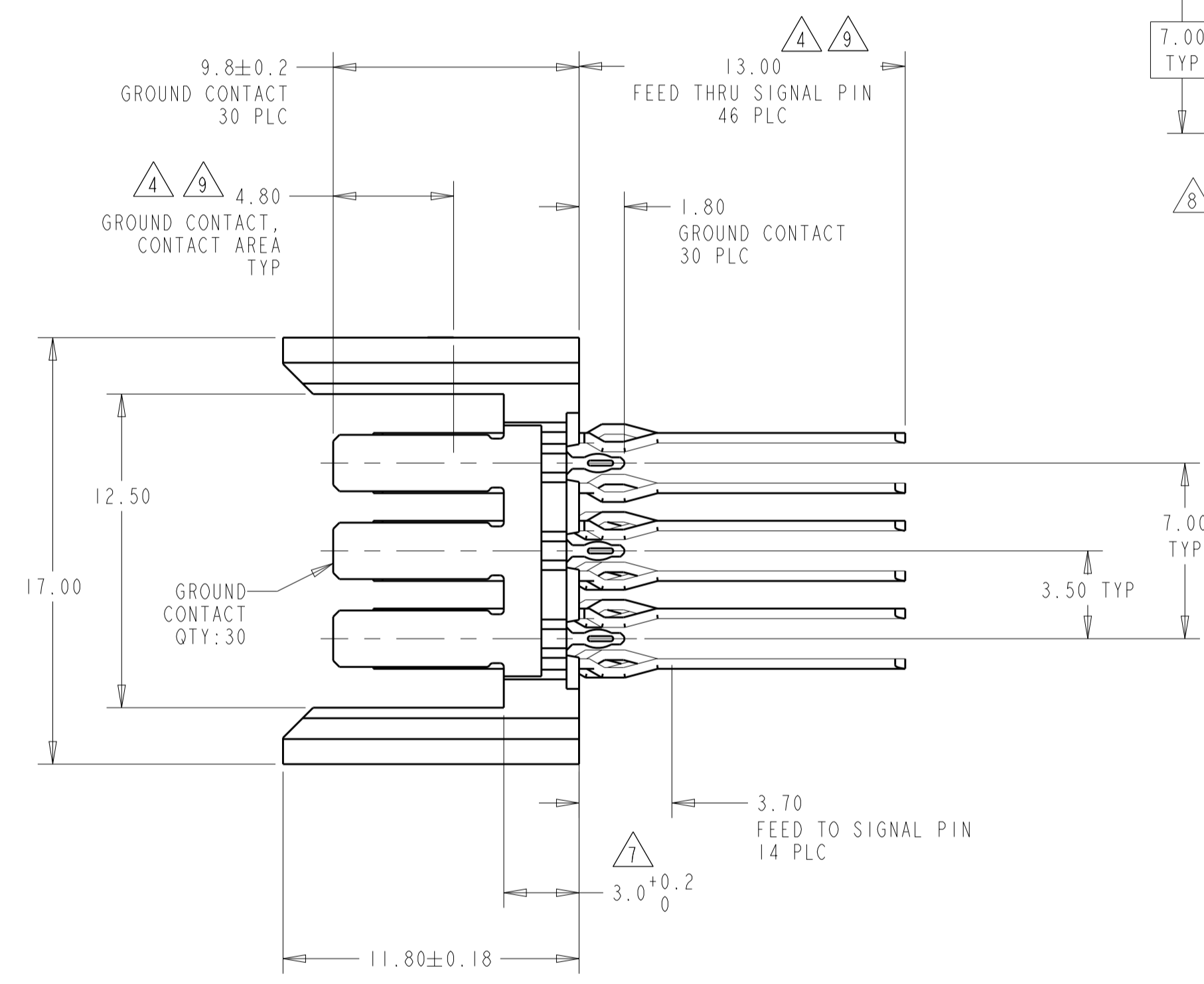
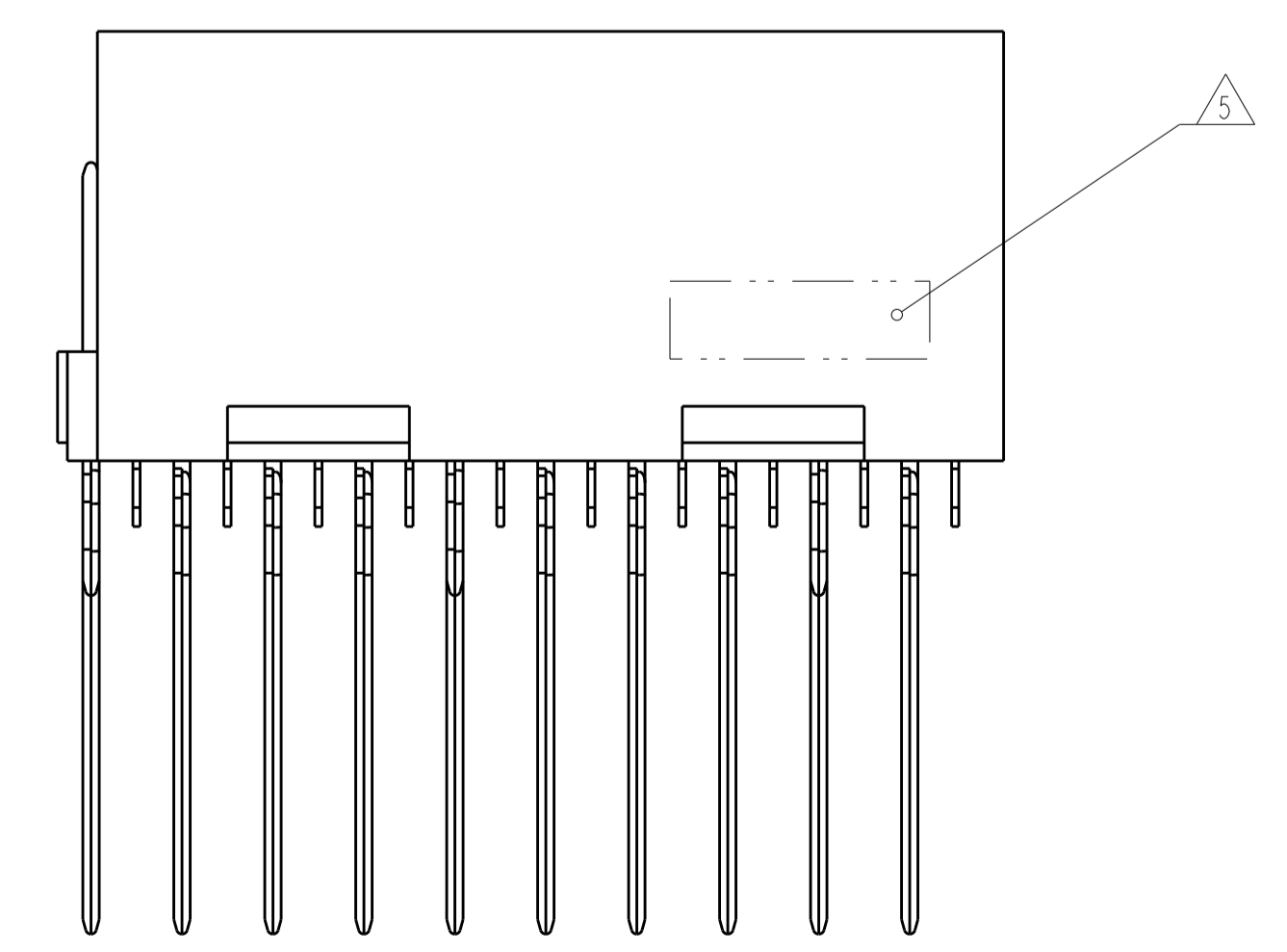
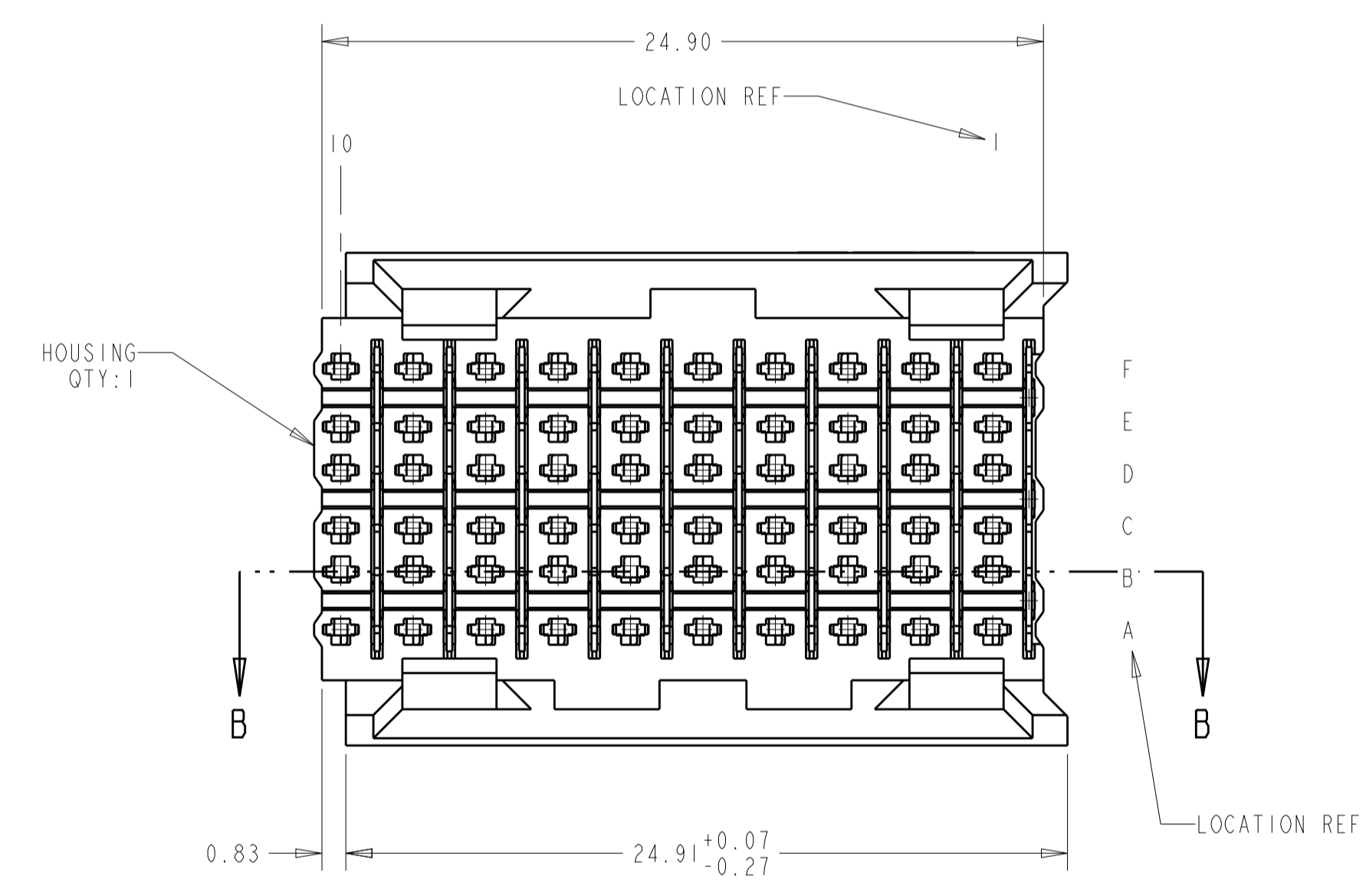
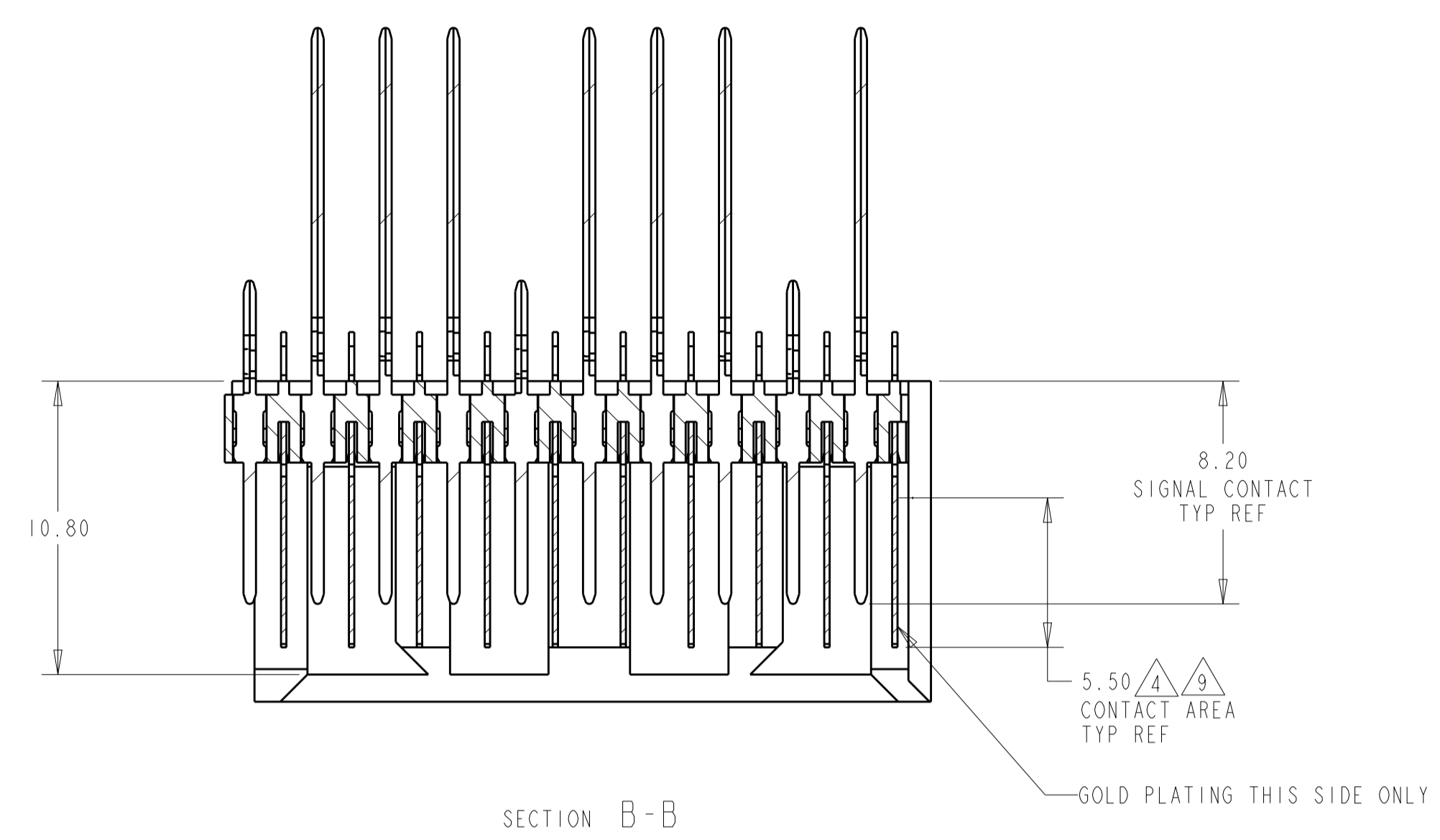


LOC		DIST		REVISIONS			
P	LTN	DESCRIPTION	DATE	DWN	APVD		
C		REVISED PER ECO-12-006972	23AUG2012	KH	JE		

- 2 PHOSPHOR BRONZE
- 3 LCP, UL94V-0
- 4 FINISH:
CONTACT MATING AREA MEETS THE PERFORMANCE REQUIREMENTS OF
TE CONNECTIVITY PRODUCT SPECIFICATION 108-1957; BASED ON
TELCORDIA GR-1217-CORE; APPLICATIONS IN UNCONTROLLED ENVIRONMENTS.
COMPLIANT PIN AREA: 0.5µm MIN BRIGHT TIN-LEAD OVER BASE PLATING.
- 5 CONNECTOR MARKED WITH PART NUMBER AND DATE CODE
- 6 REFERENCE APPLICATION SPEC 114-13020 FOR RECOMMENDED
PLATED THRU HOLE DIAMETER AND PLATING THICKNESS.
- 7 APPLICATION SEATING HEIGHT TO PRINTED CIRCUIT BOARD
- 8 DATUMS AND BASIC DIMENSIONS ESTABLISHED BY CUSTOMER
- 9 CONTACT AREA LUBRICATED WITH BELLCORE APPROVED LUBRICANT
TECHNICAL REFERENCE: GR-1217-CORE, ISSUE 1, NOVEMBER 1995



THIS DRAWING IS A CONTROLLED DOCUMENT.		DWN: R. IREDA 19FEB2007	120995-1	
DIMENSIONS: mm		CHK: R. PATTERSON 19FEB2007	PART NUMBER	
TOLERANCES UNLESS OTHERWISE SPECIFIED:		APVD: R. PATTERSON 19FEB2007	TE Connectivity	
0 PLC ±	1 PLC ±0.13	PRODUCT SPEC	NAME: HEADER ASSEMBLY, 60 POSITION, 6 ROW, FEED THROUGH, BACKPLANE CONNECTOR, Z-PACK HS3	
2 PLC ±0.05	3 PLC ±	APPLICATION SPEC	SIZE: A1 CAGE CODE: 00779 DRAWING NO: 120995	
4 PLC ±	ANGLES ±	WEIGHT	RESTRICTED TO	
MATERIAL: HOUSING: 3	FINISH: 4	CUSTOMER DRAWING	SCALE: 5:1 SHEET 1 OF 1 REV C	