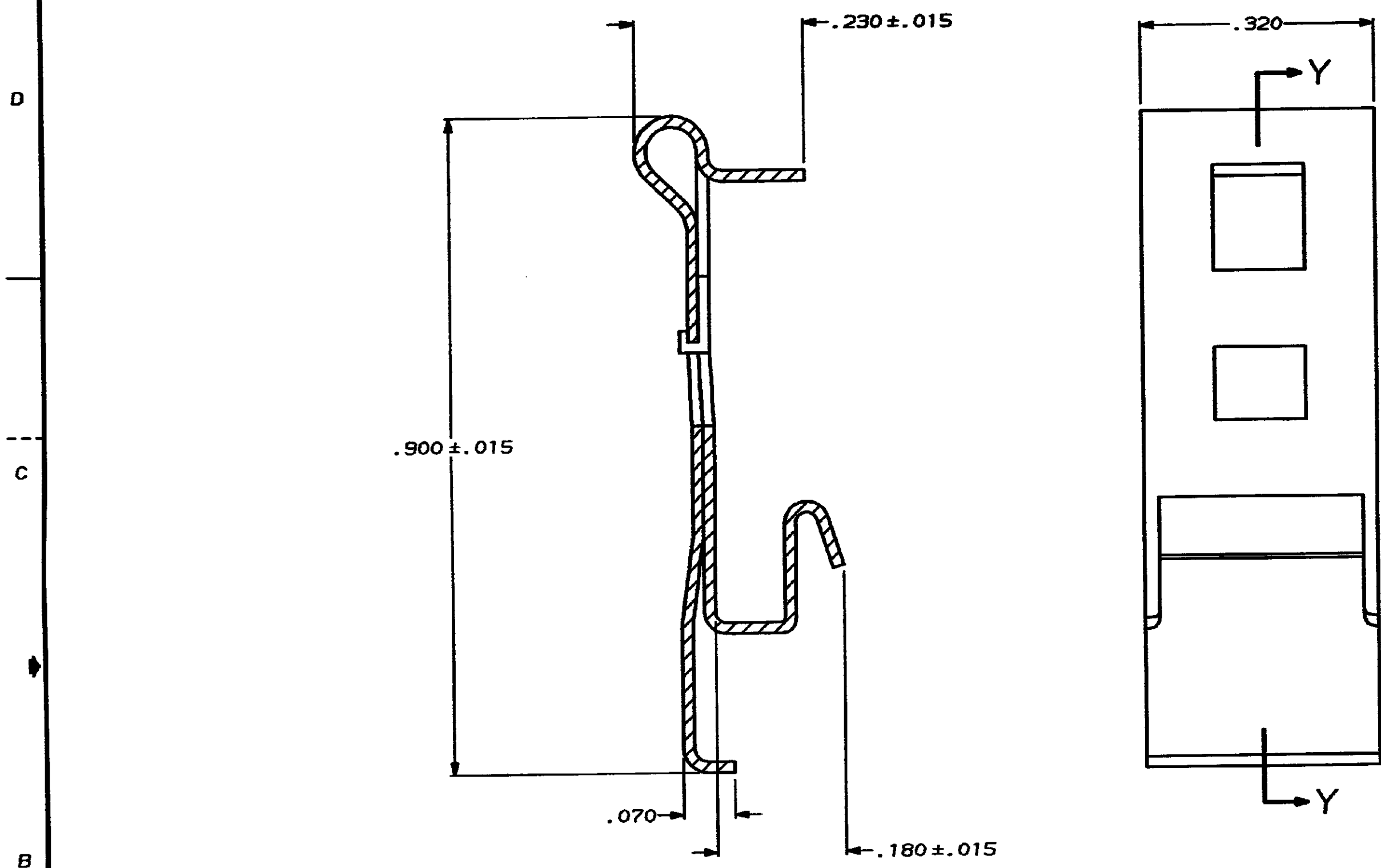


4
DRAWING MADE IN THIRD ANGLE PROJECTION
THIS DRAWING IS UNPUBLISHED. RELEASED FOR PUBLICATION .19
© COPYRIGHT 19 BY AMP INCORPORATED. ALL INTERNATIONAL RIGHTS RESERVED.

MOD	LOC	QTY	REV	ZONE	LTR	DESCRIPTION	DATE	APPD
8	BD	39		A		REDRAWN ON CAD	4-16-90	



SECTION Y-Y

PACKAGING	QUANTITY	PART NUMBER
BULK PACKAGED	2	745255-3
ONE KIT PER BAG	2	745255-2

DO NOT SCALE PRINT. UNLESS SPECIFIED DIMENSIONS IN INCHES TOLERANCES ON: 2 PLC DEC ± 3 PLC DEC ± .010 ANGLES ±	DR 4-16-90 J GALLUCCI BG	AMP AMP INCORPORATED Harrisburg, Pa. 17105	
	CHK - <i>W.G. Runk</i> APPD - <i>J. Deane</i> 7-11-90		NAME SPRING LATCH, AMPLIMITE™
	MATERIAL STAINLESS STEEL .015 THICK		APPLICATION SPEC - WEIGHT -
FINISH -	SIZE C	FSCN NO 00779	
	SCALE 8:1	DRAWING NO 745255	
		SHEET 1 OF 1	

CUSTOMER DRAWING