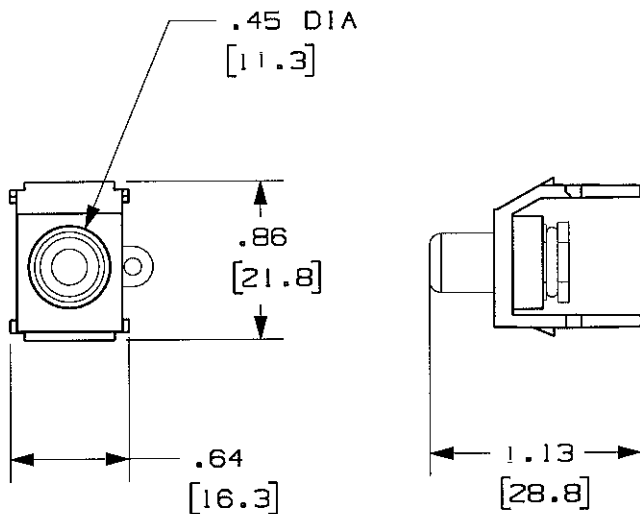


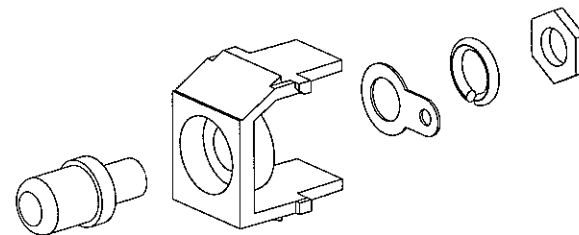
THIS COPY IS PROVIDED ON A RESTRICTED BASIS AND IS NOT TO BE USED IN ANY WAY DETRIMENTAL TO THE INTERESTS OF PANDUIT CORP.



| PANDUIT P/N | WEIGHT |
|-------------|--------------------------------|
| NKRSMB**Y | .16 LB/10 PCS (75 g/10 PCS) |
| NKRSMR**Y | |
| NKRSMW**Y | |
| NKRSMY**Y | |

NOTES:

- SEE CURRENT CATALOG FOR ADDITIONAL PART SUFFIXES TO INDICATE COLOR AND OR PACKAGE QUANTITY.
- DIMENSIONS IN [] ARE IN METRIC.
- PART INCLUDES:
 - 1- MODULE BASE
 - 1- RCA CONNECTOR
 - 1- GROUNDING RING
 - 1- LOCK WASHER
 - 1- HEX NUT



| | | | |
|------------------|------------------------|------|---|
| MODEL FILENAME | M00661ZF_RCA_02.PRT | SIZE | A |
| DRAWING FILENAME | M02479PD_DC367_00A.PRT | | |

NETKEY RCA SOLDER TYPE
MODULE CUSTOMER DRAWING

| | | |
|---|---|--|
| <p>PANDUIT® CORP. TINLEY PARK, IL 60477</p> | 1.1. NUMBER | N/A |
| | PRODUCT SPEC | N/A |
| | WORK INSTRUCTION | N/A |
| | SCALE | NONE |
| <p>THIRD ANGLE PROJECTION</p> | <p>ALL DIMENSIONS ARE GIVEN IN INCHES, UNLESS OTHERWISE SPECIFIED.</p> <p>DIMENSIONAL TOLERANCES ARE: (.X) ±.03 (.XXX) ±.005 (.XX) ±.01 ANGLES ± 1°</p> | PART NO. NKRSMB**Y, NKRSMR**Y NKRSMW**Y, NKRSMY**Y |
| <p>DRAWN BY JsP</p> <p>DATE 8-9-06</p> <p>CHK'D MAD</p> | MATERIAL: ABS | DRAWING NO. 02479-367 |

| REV | DATE | BY | CHK | DESCRIPTION | ECN | R | CUST | SUP | OTH |
|-----|--------|-----|-----|------------------------|-----------|-----|------|-----|-----|
| R | 8-9-06 | JsP | MAD | RELEASED TO PRODUCTION | 02479-367 | MAD | MAD | | |