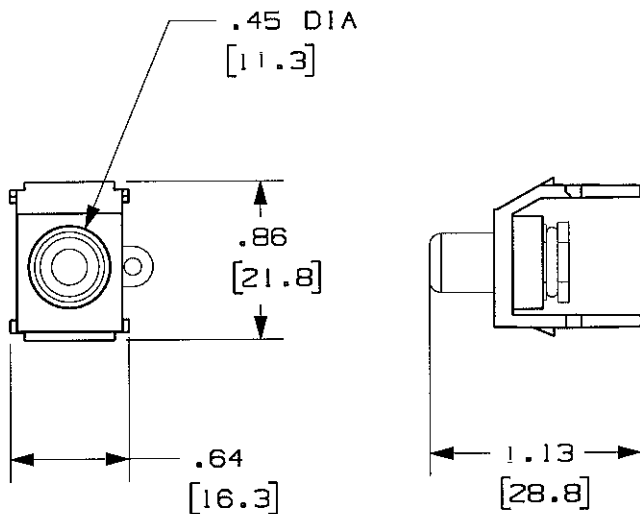


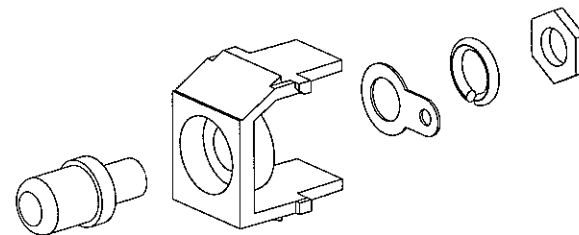
THIS COPY IS PROVIDED ON A RESTRICTED BASIS AND IS NOT TO BE USED IN ANY WAY DETRIMENTAL TO THE INTERESTS OF PANDUIT CORP.



PANDUIT P/N	WEIGHT
NKRSMB**Y	.16 LB/10 PCS (75 g/10 PCS)
NKRSMR**Y	
NKRSMW**Y	
NKRSMY**Y	

NOTES:

- SEE CURRENT CATALOG FOR ADDITIONAL PART SUFFIXES TO INDICATE COLOR AND OR PACKAGE QUANTITY.
- DIMENSIONS IN [ ] ARE IN METRIC.
- PART INCLUDES:
  - MODULE BASE
  - RCA CONNECTOR
  - GROUNDING RING
  - LOCK WASHER
  - HEX NUT



MODEL FILENAME	M00661ZF_RCA_02.PRT	SIZE	A
DRAWING FILENAME	M02479PD_DC367_00A.PRT		

NETKEY RCA SOLDER TYPE  
MODULE CUSTOMER DRAWING

<p>PANDUIT® CORP. TINLEY PARK, IL 60477</p>	1.1. NUMBER	N/A
	PRODUCT SPEC	N/A
	WORK INSTRUCTION	N/A
	SCALE	NONE
<p>THIRD ANGLE PROJECTION</p>	<p>ALL DIMENSIONS ARE GIVEN IN INCHES, UNLESS OTHERWISE SPECIFIED.</p> <p>DIMENSIONAL TOLERANCES ARE:                  (.X) ±.03    (.XXX) ±.005                  (.XX) ±.01    ANGLES ± 1°</p>	
DRAWN BY JsP	MATERIAL:	ABS
DATE 8-9-06	PART NO.	NKRSMB**Y, NKRSR**Y, NKRSMW**Y, NKRSY**Y
CHK'D MAD	DRAWING NO.	02479-367

REV	DATE	BY	CHK	DESCRIPTION	ECN	R	CUST	SUP	OTH
R	8-9-06	JsP	MAD	RELEASED TO PRODUCTION	02479-367	MAD	MAD		