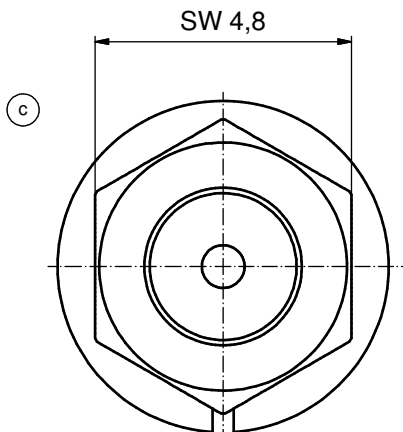
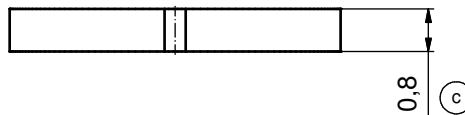
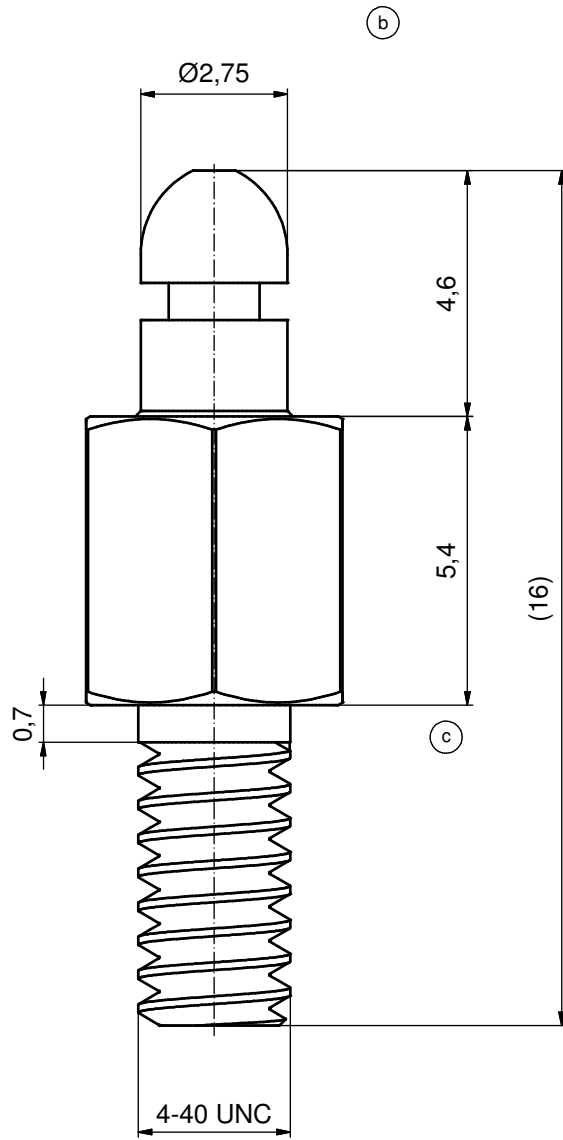
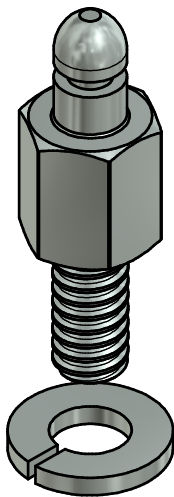
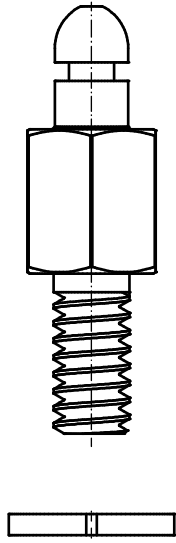


A set consists of:

- 2 detent pin
- 2 spring washer



NOTES:

1. Detent pin: Steel; Nickel plated
2. Spring washer: Steel; Nickel plated

RoHS compliant

THIS DRAWING MAY NOT BE COPIED OR REPRODUCED IN ANY WAY, AND MAY NOT BE PASSED ON TO A THIRD PARTY WITHOUT WRITTEN PERMISSION. OWNERSHIP AND COPYRIGHT OF CONEC GmbH				tolerance		ISO 2768-m		dim. in mm		scale: 10:1	
				date		name		title:		material: SEE NOTES	
				drawn		22.10.14		Henneboel		Detent Pin with threaded 4-40 UNC for Snap Lock with spring ring	
				appd.		22.10.14		Strakerjahn			
norm						dwg no:		DIN-A3			
3 x c		Ä5856		15.10.2015		K.H.		d-old		16K1A3544	
2 x b		Ä5449		09.12.2014		B.S.				sh: 1	
a		Original								part no: 16-002190	
rev.		description		date		name		CONEC®			