

A

B

C

D

A

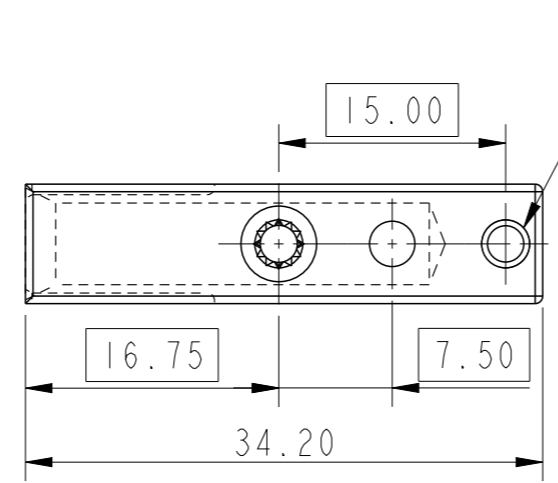
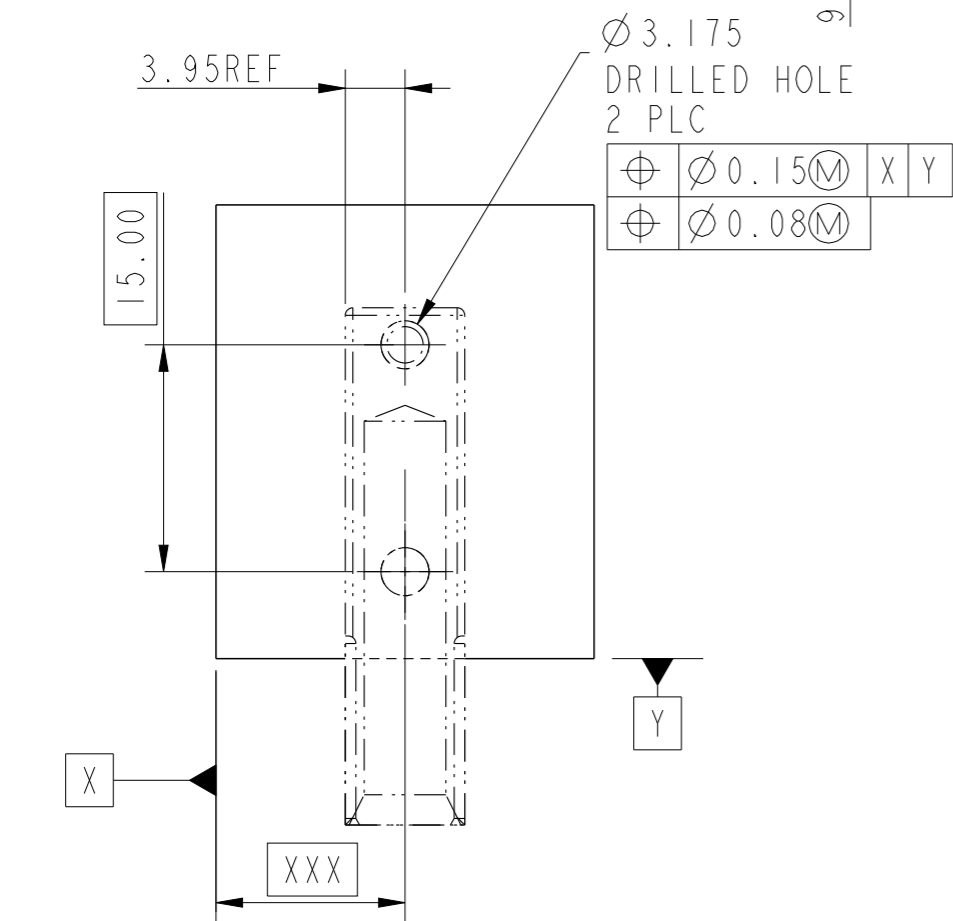
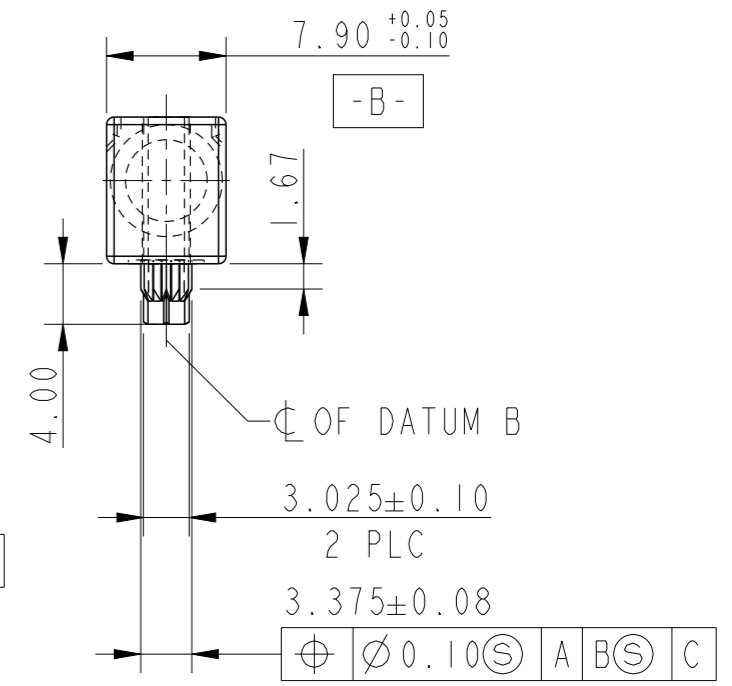
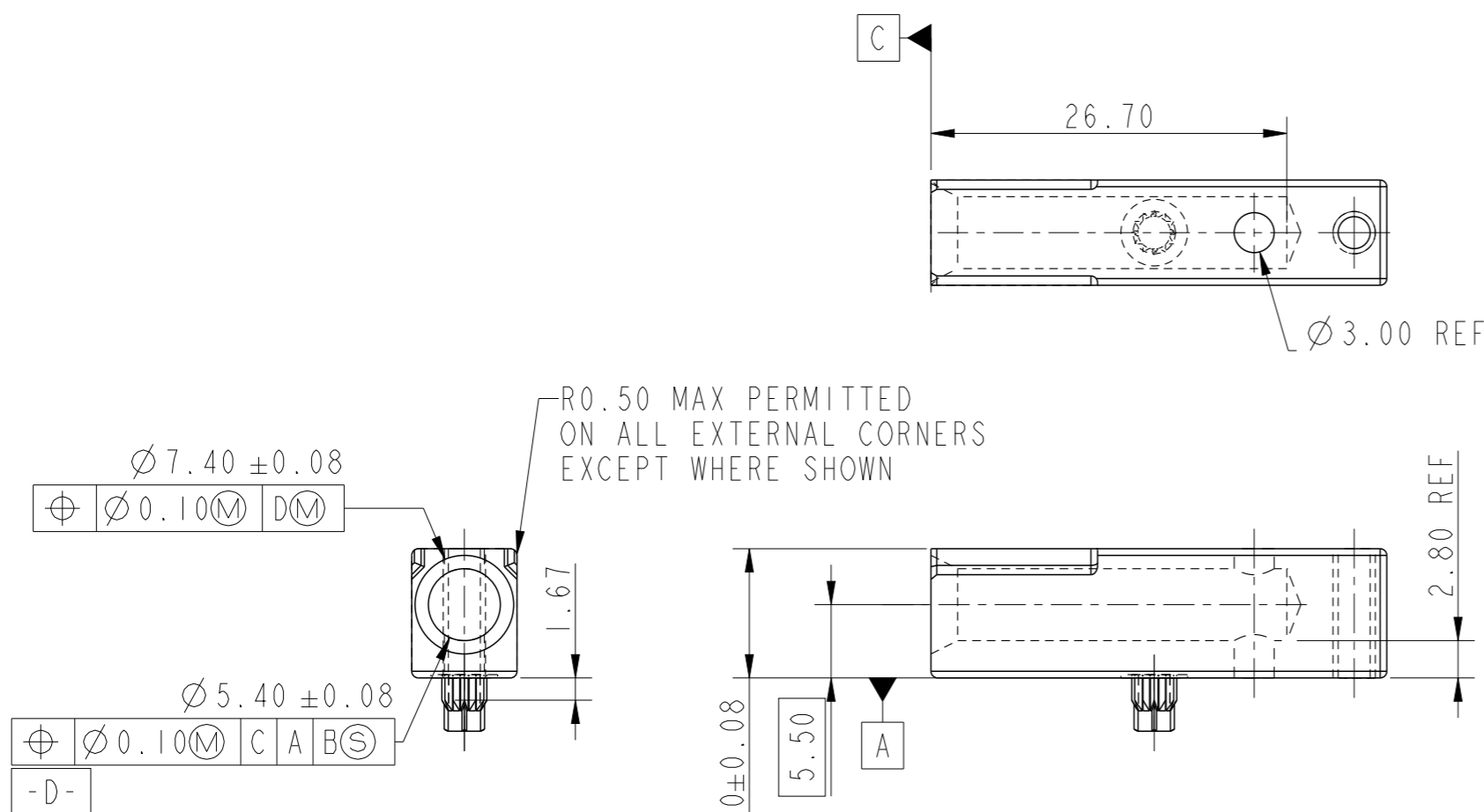
B

C

D

10120113-001-  
 LEAD FREE INDICATOR : LF = LEAD FREE (DIGIT 13 AND 14)  
 PLATING CODE (DIGIT 12)  
 SEE BELOW TABLE FOR PLATING CODE

- NOTE :-  
 1. MATERIAL : ZINC ALLOY DIE CASTING, ZAMAK 3.  
 2. SURFACE FINISH : CHROMATE CONVERSION COATING (ROHS COMPATIBLE).  
 3. THREAD : M3 X 0.5  
 4. PACKAGE QTY : 500PCS.



NOTE 3  
 $\varnothing 0.10$  (M) (A) (B) (S) (C)

SI No.	PLATING CODE	PLATING
1	A	UNPLATED
2	C	CHROMATE CONVERSION COATING

SCALE 2:1  
 FOOT PRINT

spec ref	-	dr	Arjun K-A	2012/11/20	projection	mm	size	A3	scale	2:1
tolerance std	ISO 406 ISO 1101	eng	Arjun K-A	2012/11/27			ecn no	-	rel level	Released
TOLERANCES UNLESS OTHERWISE SPECIFIED		chr	-	apppr						
surface	✓	linear	0.X	±0.3			dwg no	10120113	rev	A
			0.XX	±0.13	www.fci.com	cat. no.	10120113-001- - -	Product - Customer Drw	sheet 1 of 1	
		angular	0°	±2°						

Copyright FCI.  
 FCI