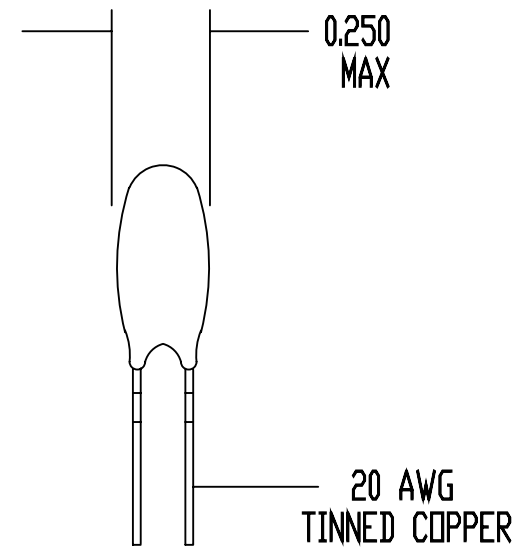
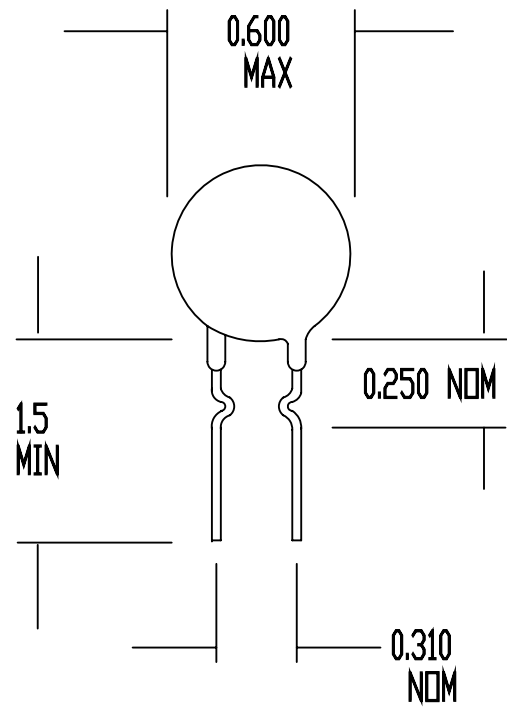



REV	DATE	ECO#
A	03/31/95	1342

DRAWING NOT TO SCALE  
ALL DIMENSIONS IN INCHES



SPECIFICATIONS:  
 RESISTANCE AT 25 DEG C = 2.5 OHMS +/- 15%  
 MAX CONTINUOUS CURRENT (I<sub>max</sub>) = 3 AMPS  
 RESISTANCE AT I<sub>max</sub> = 0.15 OHMS NOMINAL  
 MAX VOLTAGE RATING = 265 VAC (RMS)  
 MAX SURGE RATING = 27 JOULES  
 ENCAPSULATION = EPOXY  
 MARKING = OPTIONAL  
 LEADS = RODAN P/N STL-209-42

DRAWN BY D. NGUYEN		 <b>Circuit Protection Thermistors</b>
DATE 09/25/90	ORIG. F. TISED	
REV A	APP	SURGE-GARD INRUSH CURRENT LIMITER
SHEET 1 OF 1		SG303