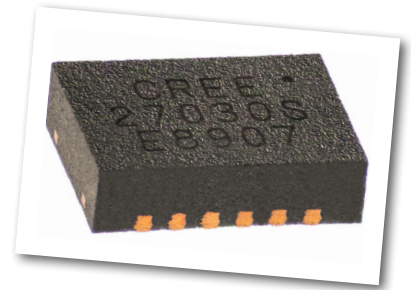


CGH27030S

30 W, DC - 6.0 GHz, 28 V, GaN HEMT

Cree's CGH27030S is an unmatched, gallium nitride (GaN) high electron mobility transistor (HEMT) designed specifically for high efficiency, high gain and wide bandwidth capabilities, which makes the CGH27030S ideal for LTE, 4G Telecom and BWA amplifier applications. The CGH27030S operates from a 28 volt rail. The transistor is available in a 3mm x 4mm, surface mount, dual-flat-no-lead (DFN) package.



Package Type: 3x4 DFN
PN: CGH27030S

Typical Performance 1.8 - 2.2 GHz ($T_c = 25^\circ\text{C}$), 28 V

Parameter	1.8 GHz	2.0 GHz	2.2 GHz	Units
Small Signal Gain	20.0	20.4	19.5	dB
Adjacent Channel Power @ $P_{AVE} = 5\text{ W}$	-39.5	-42.1	-39.1	dBc
Drain Efficiency @ $P_{AVE} = 5\text{ W}$	31.8	32.8	33.8	%
Input Return Loss	-4.2	-6.4	-7.7	dB

Note:

Measured in the CGH27030S-AMP1 application circuit.
Under 7.5 dB PAR single carrier WCDMA signal test model 1 with 64 DPCH.

Typical Performance 2.3 - 2.7 GHz ($T_c = 25^\circ\text{C}$), 28 V

Parameter	2.3 GHz	2.5 GHz	2.7 GHz	Units
Small Signal Gain	21.1	20.6	20.0	dB
Adjacent Channel Power @ $P_{AVE} = 5\text{ W}$	-32.0	-36.4	-33.6	dBc
Drain Efficiency @ $P_{AVE} = 5\text{ W}$	37.8	36.2	35.0	%
Input Return Loss	-7.3	-7.9	-7.2	dB

Note:

Measured in the CGH27030S-AMP2 application circuit.
Under 7.5 dB PAR single carrier WCDMA signal test model 1 with 64 DPCH.

Features for 28 V in CGH27030S-AMP1

- 1.8 - 2.2 GHz Operation
- 30 W Typical Output Power
- 18 dB Gain at 5 W P_{AVE}
- -39 dBc ACLR at 5 W P_{AVE}
- 33% efficiency at 5 W P_{AVE}
- High degree of APD and DPD correction can be applied

Features for 28 V in CGH27030S-AMP2

- 2.3 - 2.7 GHz Operation
- 30 W Typical Output Power
- 18.5 dB Gain at 5 W P_{AVE}
- -39 dBc ACLR at 5 W P_{AVE}
- 36% efficiency at 5 W P_{AVE}
- High degree of APD and DPD correction can be applied



Absolute Maximum Ratings (not simultaneous) at 25°C Case Temperature

Parameter	Symbol	Rating	Units	Notes
Drain-Source Voltage	V_{DS}	84	Volts	25°C
Gate-to-Source Voltage	V_{GS}	-10, +2	Volts	25°C
Storage Temperature	T_{STG}	-65, +150	°C	
Operating Junction Temperature	T_J	225	°C	
Maximum Forward Gate Current	I_{GMAX}	7.2	mA	25°C
Maximum Drain Current ¹	I_{DMAX}	3.0	A	25°C
Soldering Temperature ²	T_S	245	°C	
Case Operating Temperature ³	T_C	-40, +150	°C	
Thermal Resistance, Junction to Case ^{4,5}	$R_{\theta JC}$	3.62	°C/W	85°C

Note:

¹ Current limit for long term, reliable operation

² Refer to the Application Note on soldering at www.cree.com/rf/document-library

³ T_C = Case temperature for the device. It refers to the temperature at the ground tab underneath the package. The PCB will add additional thermal resistance.

⁴ Simulated for the CGH27030S at $P_{DISS} = 21.6$ W

⁵ The $R_{\theta JH}$ for Cree's demonstration amplifier, CGH27030S-AMP1, with 33 x 0.011 via holes designed on a 20 mil thick Rogers 4350 PCB, is 3.51 °C. The total $R_{\theta JH}$ from the heat sink to the junction is 3.62 °C + 3.51 °C = 7.13 °C/W.

Electrical Characteristics ($T_C = 25^\circ\text{C}$)

Characteristics	Symbol	Min.	Typ.	Max.	Units	Conditions
DC Characteristics¹						
Gate Threshold Voltage	$V_{GS(th)}$	-3.8	-3.0	-2.3	V_{DC}	$V_{DS} = 10$ V, $I_D = 7.2$ mA
Gate Quiescent Voltage	$V_{GS(Q)}$	-	-2.7	-	V_{DC}	$V_{DS} = 28$ V, $I_D = 0.20$ A
Saturated Drain Current	I_{DS}	5.0	7.0	-	A	$V_{DS} = 6.0$ V, $V_{GS} = 2.0$ V
Drain-Source Breakdown Voltage	$V_{(BR)DSS}$	84	-	-	V_{DC}	$V_{GS} = -8$ V, $I_D = 7.2$ mA
RF Characteristics^{2,3} ($T_C = 25^\circ\text{C}$, $F_0 = 2.65$ GHz unless otherwise noted)						
Gain	G	-	19.1	-	dB	$V_{DD} = 28$ V, $I_{DQ} = 0.20$ A, $P_{IN} = 10$ dBm
Output Power ⁴	P_{OUT}	-	44.9	-	dBm	$V_{DD} = 28$ V, $I_{DQ} = 0.20$ A, $P_{IN} = 30$ dBm
Drain Efficiency ⁴	η	-	72	-	%	$V_{DD} = 28$ V, $I_{DQ} = 0.20$ A, $P_{IN} = 30$ dBm
Output Mismatch Stress	VSWR	-	10 : 1	-	Ψ	No damage at all phase angles, $V_{DD} = 28$ V, $I_{DQ} = 0.20$ A, $P_{IN} = 30$ dBm
Dynamic Characteristics						
Input Capacitance ⁵	C_{GS}	-	8.6	-	pF	$V_{DS} = 28$ V, $V_{GS} = -8$ V, $f = 1$ MHz
Output Capacitance ⁵	C_{DS}	-	2.0	-	pF	$V_{DS} = 28$ V, $V_{GS} = -8$ V, $f = 1$ MHz
Feedback Capacitance	C_{GD}	-	0.4	-	pF	$V_{DS} = 28$ V, $V_{GS} = -8$ V, $f = 1$ MHz

Notes:

¹ Measured on wafer prior to packaging

² Scaled from PCM data

³ Measured in Cree's production test fixture. This fixture is designed for high volume test at 2.65 GHz

⁴ Un-modulated Pulsed Signal, 100 μ s, 10% duty cycle

⁵ Includes package and internal matching components

Typical Performance in CGH27030S-AMP1

Figure 1. - Small Signal Gain and Return Losses vs Frequency
 $V_{DD} = 28\text{ V}, I_{DQ} = 0.20\text{ A}$

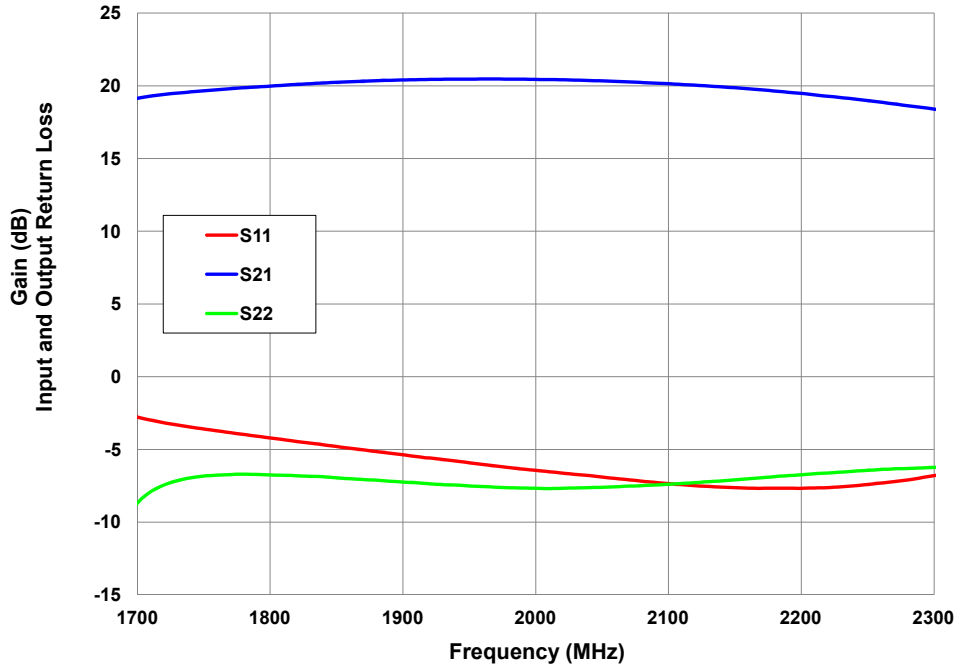
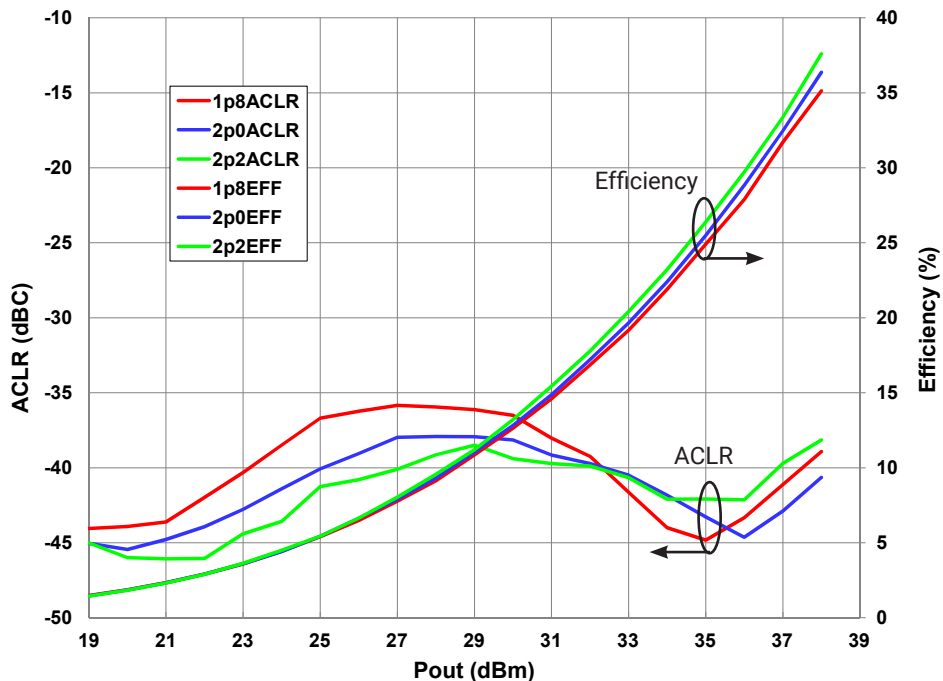


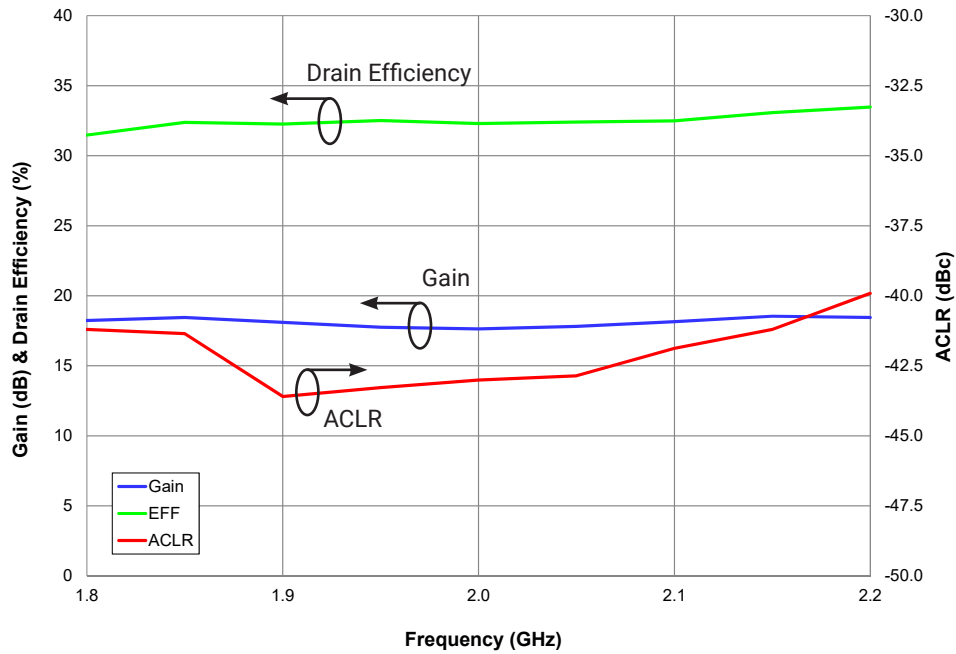
Figure 2. - Typical Drain Efficiency and ACLR vs. Output Power
 $V_{DD} = 28\text{ V}, I_{DQ} = 0.20\text{ A}, 1\text{c WCDMA}, \text{PAR} = 7.5\text{ dB}$



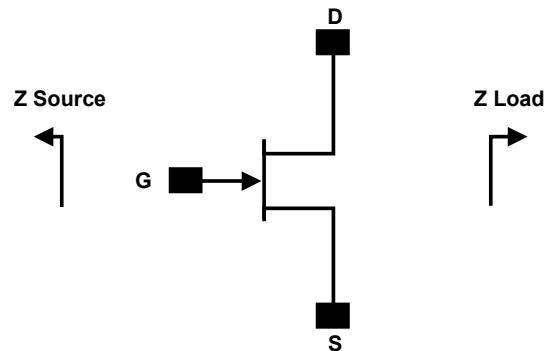
Typical Performance in CGH27030S-AMP1

Figure 3. - Typical Gain, Drain Efficiency and ACLR vs Frequency

$V_{DD} = 28\text{ V}$, $I_{DQ} = 0.20\text{ A}$, $P_{AVE} = 5\text{ W}$, 1c WCDMA, PAR = 7.5 dB



Source and Load Impedances for Application Circuit CGH27030S-AMP1



Frequency (MHz)	Z Source	Z Load
1800	3.2 - j1.6	11 + j0.2
2000	3.6 - j0.6	10.5 + j1.8
2200	3.3 - j0.1	11 + j3.3

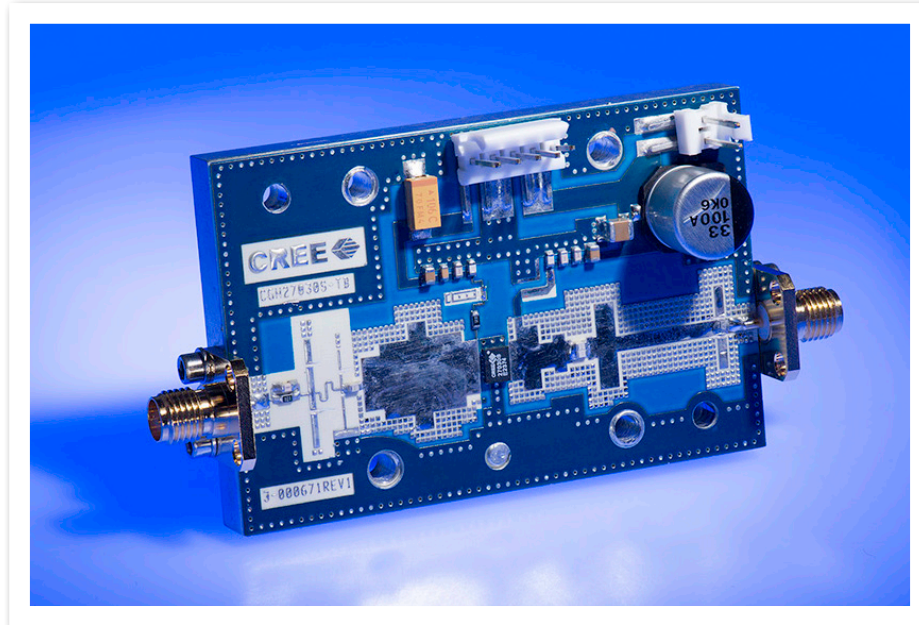
Note¹: $V_{DD} = 28\text{ V}$, $I_{DQ} = 0.20\text{ A}$ in the DFN package.

Note²: Impedances are extracted from the CGH27030S-AMP1 application circuit and are not source and load pull data derived from the transistor.

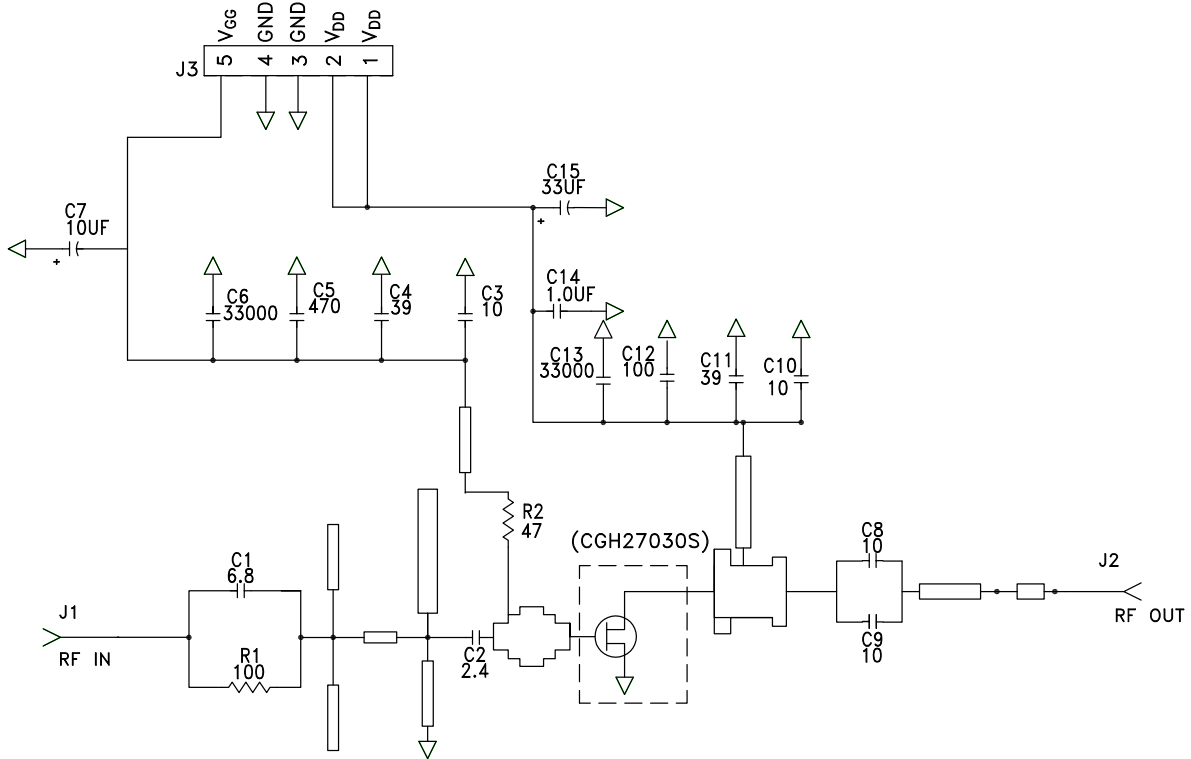
CGH27030S-AMP1 Application Circuit Bill of Materials

Designator	Description	Qty
R1	RES, 1/16 W, 0603, 1%, 100 OHMS	1
R2	RES, 1/16 W, 0603, 1%, 5.1 OHMS	1
C1	CAP, 6.8 pF, ±0.25 pF, 0603, ATC	1
C2	CAP, 2.4 pF, ±0.01 pF, 0603, ATC	1
C3, C8, C9, C10	CAP, 10.0 pF, ±0.5 pF, 0603, ATC	3
C12	CAP, 100.0 pF, 5%, 0603, ATC	1
C5	CAP, 470 pF, 5%, 100 V, 0603	1
C6, C13	CAP, 33000 pF, 0805, 10%, 100 V, X7R	2
C14	CAP, 1.0 UF, 100 V, 10%, X7R, 1210	1
C7	CAP, 10 UF, 16 V, TANTALUM	1
C15	CAP, 33 UF, 20%, G CASE	1
J1, J2	CONN, SMA, PANEL MOUNT JACK, FLANGE, 4-HOLE, BLUNT POST	2
Q1	CGH27030S, QFN	1

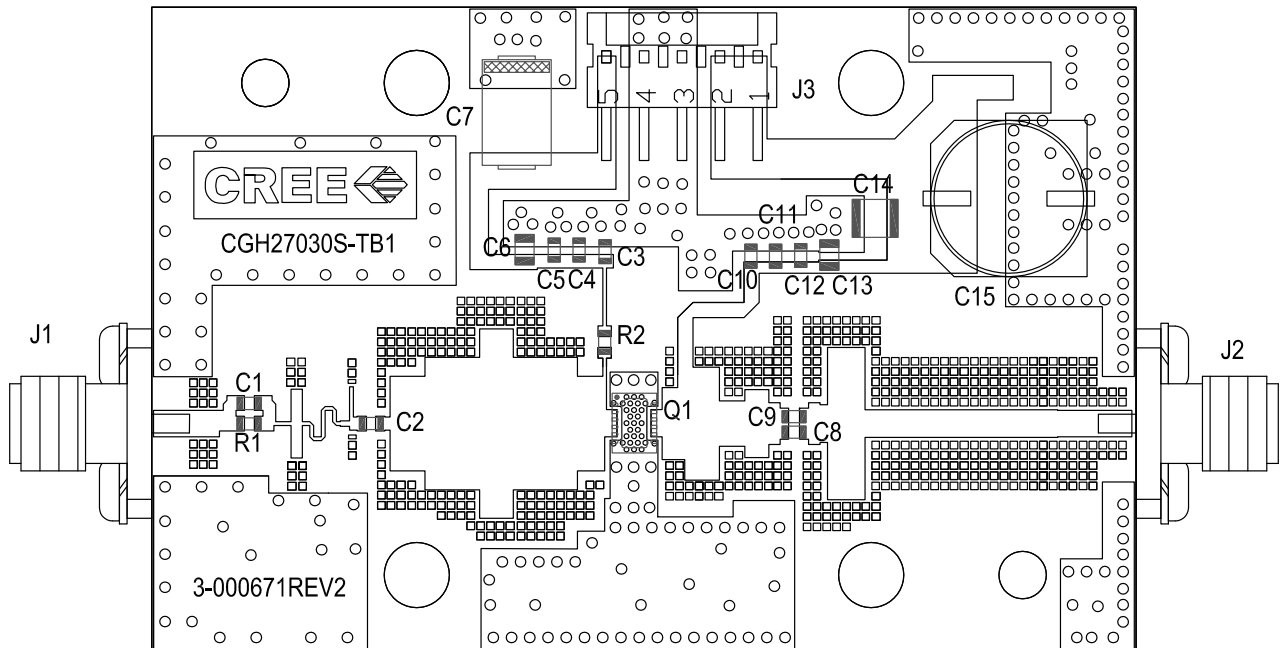
CGH27030S-AMP1 Application Circuit, 28 V, 1.8 - 2.2 GHz



CGH27030S-AMP1 Application Circuit Schematic, 28 V, 1.8 - 2.2 GHz



CGH27030S-AMP1 Application Circuit, 28 V, 1.8 - 2.2 GHz



Typical Performance in Application Circuit CGH27030S-AMP2

Figure 4. - Small Signal Gain and Return Losses vs Frequency
 $V_{DD} = 28\text{ V}$, $I_{DQ} = 0.20\text{ A}$

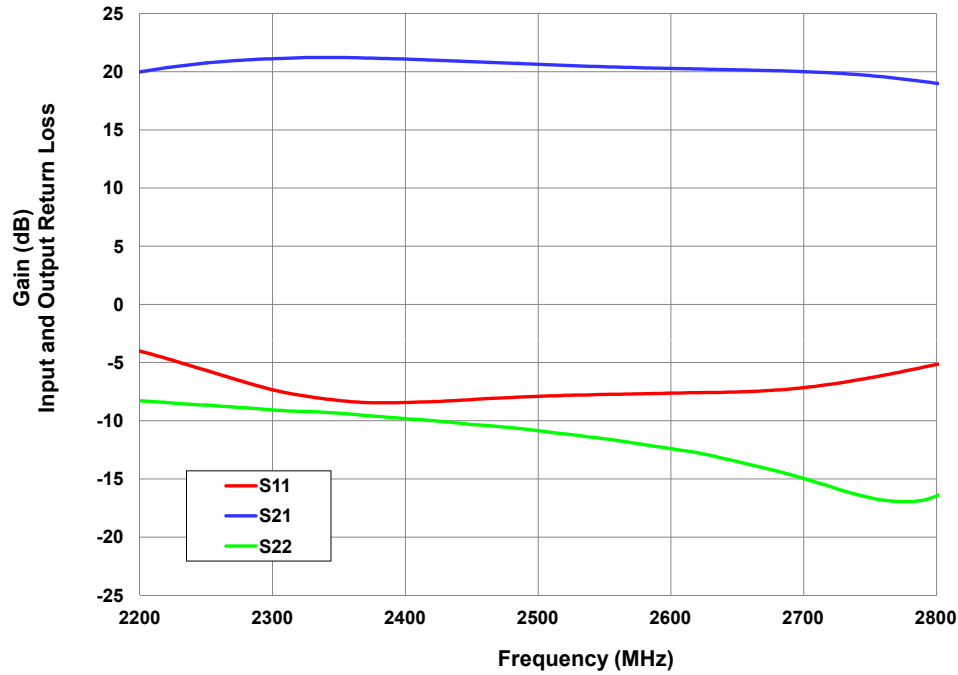
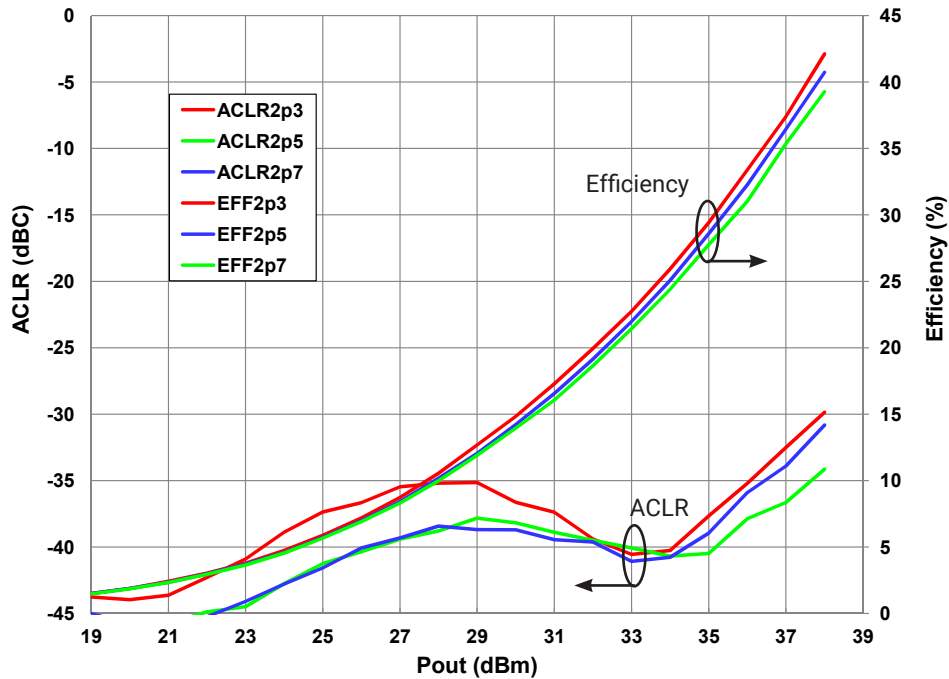
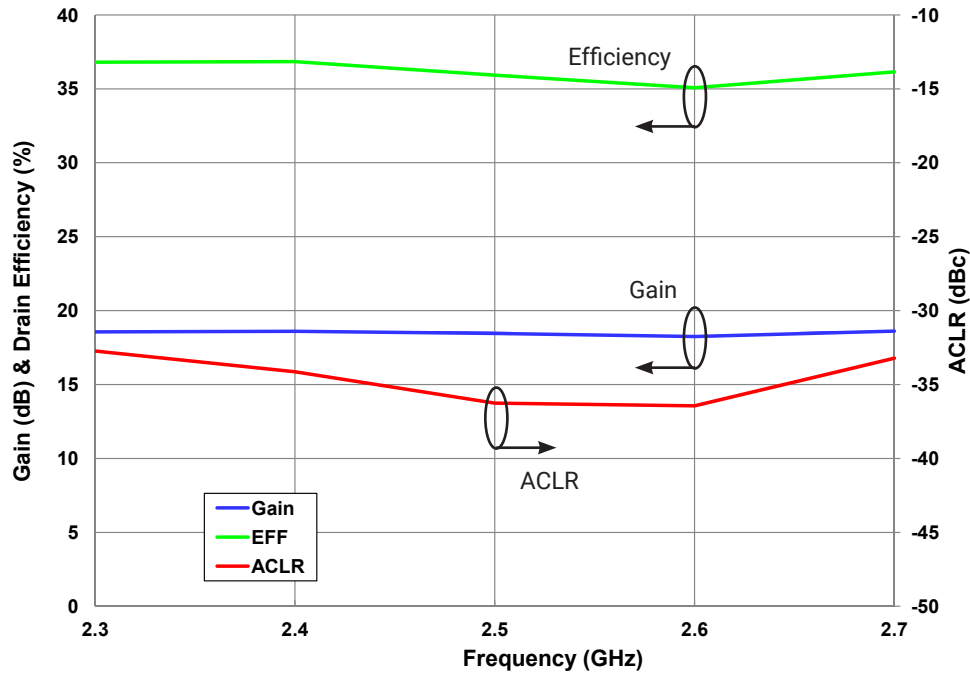


Figure 5. - Typical Drain Efficiency and ACLR vs. Output Power
 $V_{DD} = 28\text{ V}$, $I_{DQ} = 0.20\text{ A}$, 1c WCDMA, PAR = 7.5 dB



Typical Performance in Application Circuit CGH27030S-AMP2

Figure 6. - Typical Gain, Drain Efficiency and ACLR vs Frequency
 $V_{DD} = 28\text{ V}$, $I_{DQ} = 0.20\text{ A}$, $P_{AVE} = 5\text{ W}$, 1c WCDMA, PAR = 7.5 dB



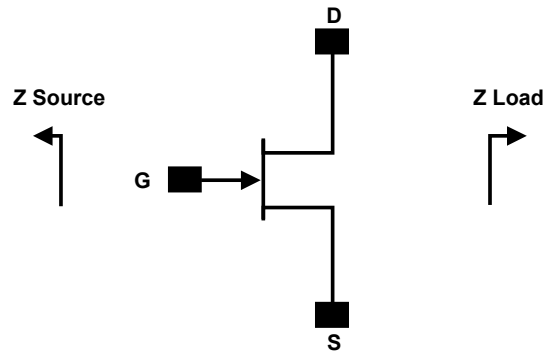
Electrostatic Discharge (ESD) Classifications

Parameter	Symbol	Class	Test Methodology
Human Body Model	HBM	1B ($\geq 500\text{ V}$)	JEDEC JESD22 A114-D
Charge Device Model	CDM	II ($\geq 200\text{ V}$)	JEDEC JESD22 C101-C

Moisture Sensitivity Level (MSL) Classification

Parameter	Symbol	Level	Test Methodology
Moisture Sensitivity Level	MSL	3 (168 hours)	IPC/JEDEC J-STD-20

Source and Load Impedances for Application Circuit CGH27030S-AMP2



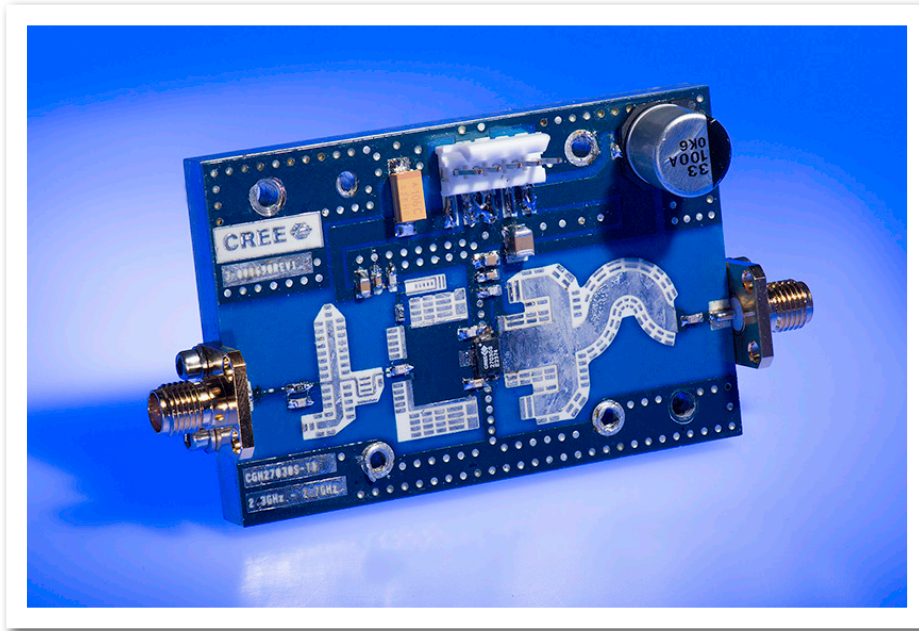
Frequency (MHz)	Z Source	Z Load
2300	1.7 - j0.5	7.7 + j7.7
2500	2.2 - j0.2	8.0 + j6.8
2700	1.5 - j0.1	6.6 + j6.3

Note¹: $V_{DD} = 28\text{ V}$, $I_{DQ} = 0.20\text{ A}$ in the DFN package.
 Note²: Impedances are extracted from the CGH27030S-AMP2 application circuit and are not source and load pull data derived from the transistor.

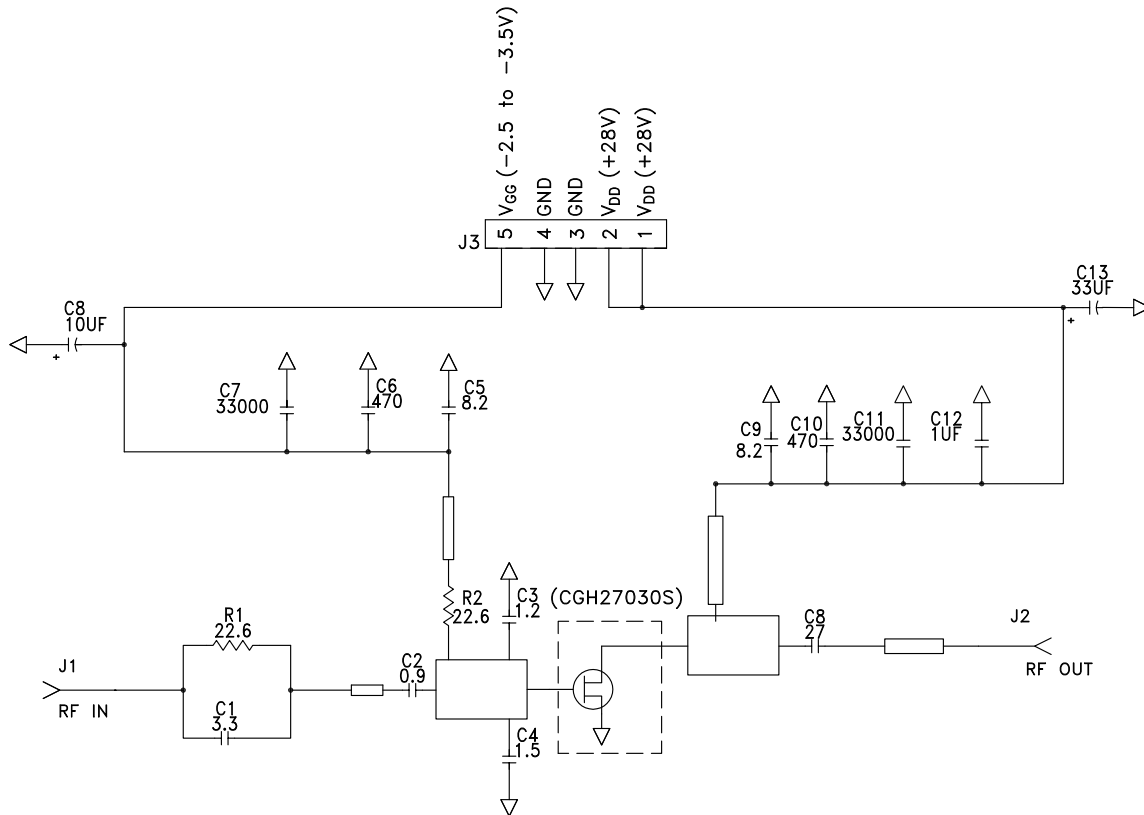
CGH27030S-AMP2 Application Circuit Bill of Materials

Designator	Description	Qty
R1, R2	RES, 22.6, OHM, +/-1%, 1/16W, 0603	2
C1	CAP, 3.3 pF, ±0.1 pF, 0603, ATC	1
C2	CAP, 0.9 pF, ±0.1 pF, 0603, ATC	1
C3	CAP, 1.2 pF, ±0.1 pF, 0603, ATC	1
C4	CAP, 1.5 pF, ±0.1 pF, 0603, ATC	1
C5, C9	CAP, 8.2 pF, ±0.25 pF, 0603, ATC	2
C6, C10	CAP, 470 pF, 5%, 100 V, 0603, X	2
C7, C11	CAP, 33000 pF, 0805, 100 V, X7R	2
C12	CAP, 1.0 uF, 100 V, 10%, X7R, 1210	1
C8	CAP, 10 uF 16 V TANTALUM	1
C14	CAP, 27 pF, ±5%, 0603, ATC	1
C13	CAP, 33 uF, 20%, G CASE	1
J1, J2	CONN, SMA, PANEL MOUNT JACK, FLANGE, 4-HOLE, BLUNT POST	1
Q1	CGH27030S, QFN	2

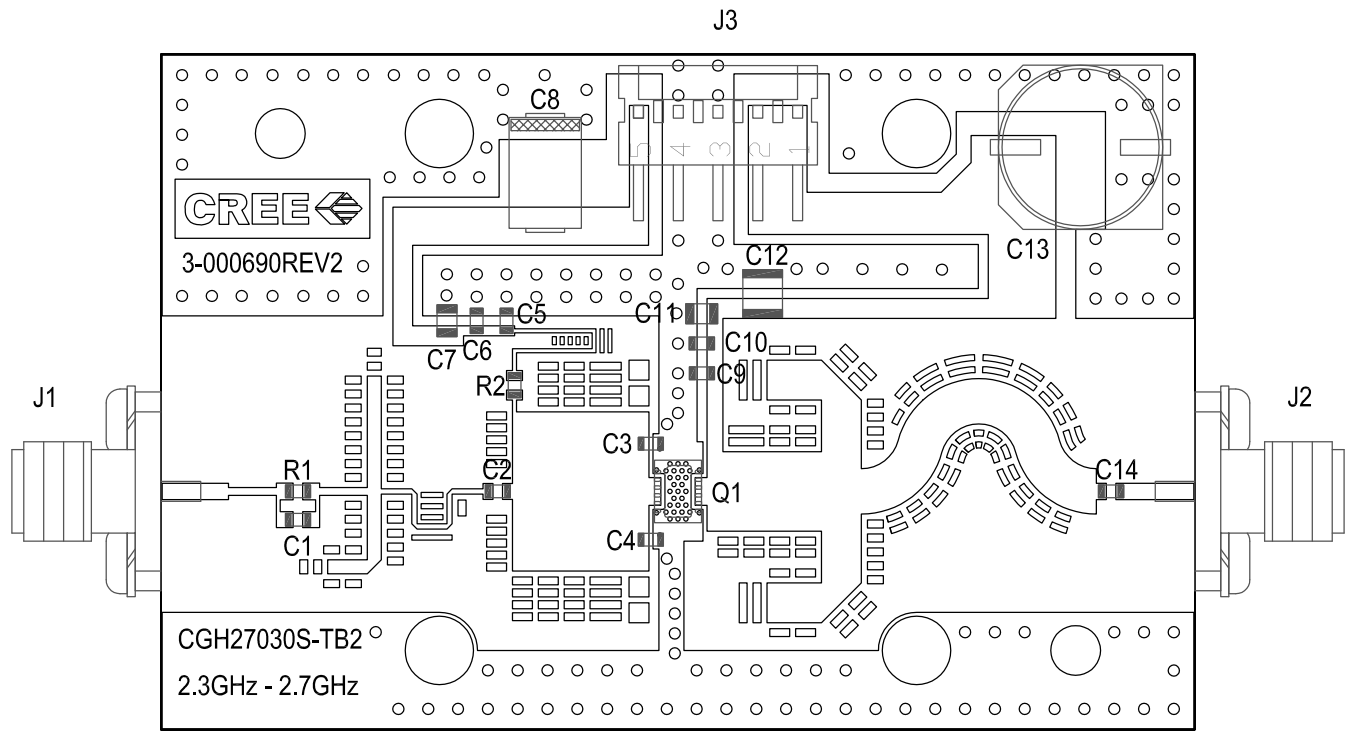
CGH27030S-AMP2 Application Circuit, 28 V, 2.3 - 2.7 GHz



CGH27030S-AMP2 Application Circuit Schematic, 28 V, 2.3 - 2.7 GHz

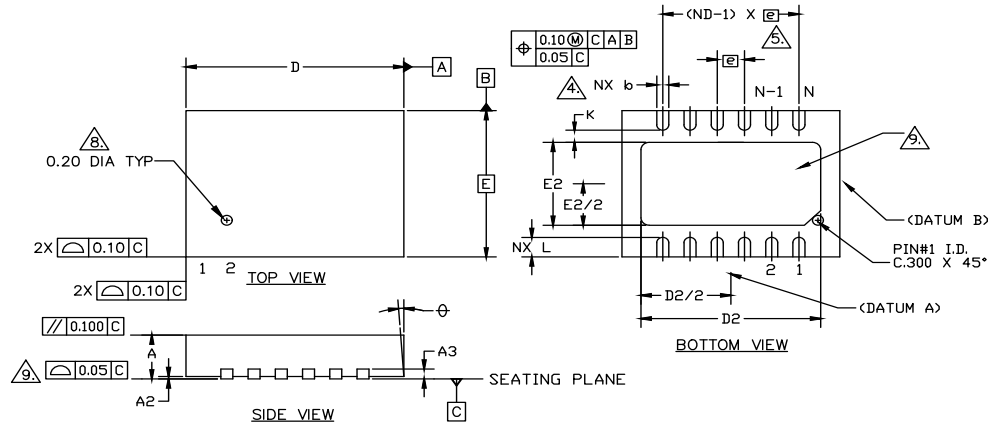


CGH27030S-AMP2 Application Circuit, 28 V, 2.3 - 2.7 GHz



Product Dimensions CGH27030S (Package 3 x 4 DFN)

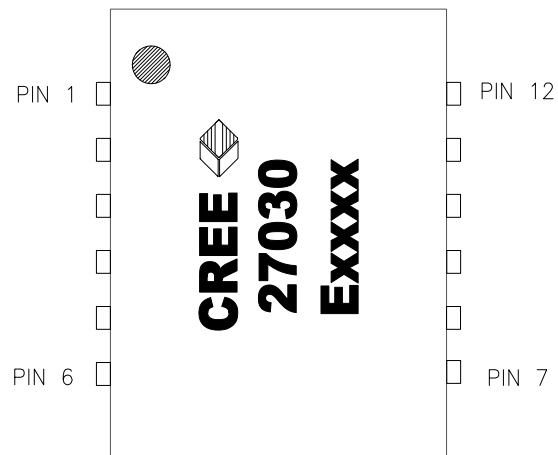
SYMBOL	COMMON DIMENSIONS			NOTE
	MIN.	NOM.	MAX.	
A	0.80	0.85	0.90	
A1	0.00	0.02	0.05	
A3	0.203 REF.			
Ø	0		12	2
D	4.00 BSC			
E	3.00 BSC			
ⓐ	0.50 BSC			
N	12			3
ND	6			△
L	0.35	0.40	0.45	
b	0.18	0.25	0.30	△
D2	3.20	3.30	3.40	
E2	1.60	1.7	1.80	
K	0.20			



NOTES :

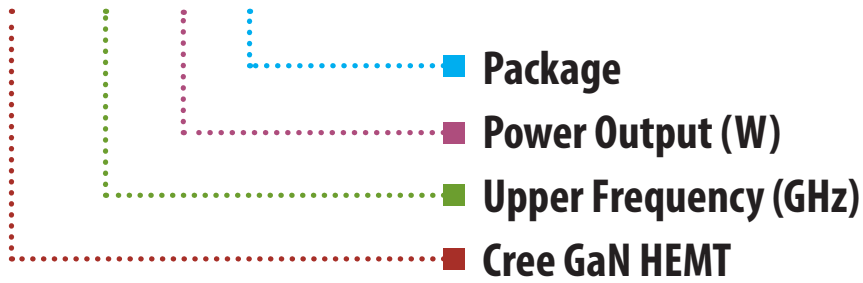
- DIMENSIONING AND TOLERANCING CONFORM TO ASME Y14.5M - 1994.
- ALL DIMENSIONS ARE IN MILLIMETERS, Ø IS IN DEGREES.
- N IS THE TOTAL NUMBER OF TERMINALS.
- DIMENSION b APPLIES TO METALLIZED TERMINAL AND IS MEASURED BETWEEN .15 AND .30mm FROM TERMINAL TIP.
- ND REFERS TO THE NUMBER OF TERMINALS ON D SIDE
- MAXIMUM PACKAGE WARPAGE IS .05 mm.
- MAXIMUM ALLOWABLE BURRS IS .076 mm IN ALL DIRECTIONS.
- PIN #1 ID ON TOP WILL BE LASER MARKED.
- UNILATERAL COPLANARITY ZONE APPLIES TO THE EXPOSED HEAT SINK SLUG AS WELL AS THE TERMINALS.
- THIS DRAWING CONFORMS TO JEDEC REGISTERED OUTLINE MO-229.
- ALL PLATED SURFACES TIN 0.010 mm +/- 0.005 mm

Pin	Input/Output
1	GND
2	RF IN
3	RF IN
4	RF IN
5	RF IN
6	GND
7	GND
8	RF OUT
9	RF OUT
10	RF OUT
11	RF OUT
12	GND



Note: Leadframe finish for 3x4 DFN package is Nickel/Palladium/Gold. Gold is the outer layer.

CGH27030S



Parameter	Value	Units
Upper Frequency ¹	2.7	GHz
Power Output	30	W
Package	Surface Mount	-

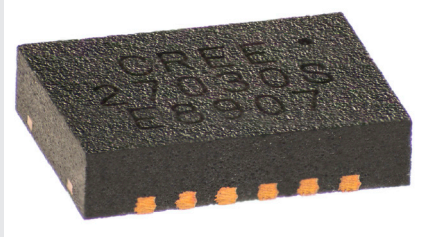
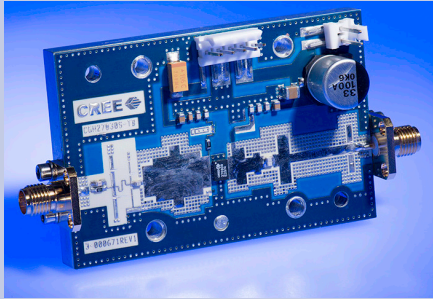
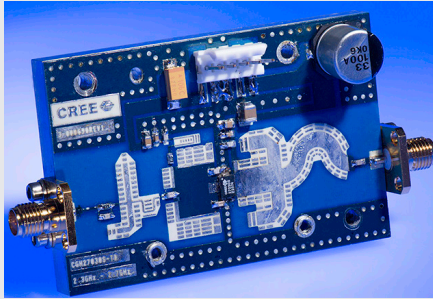
Table 1.

Note¹: Alpha characters used in frequency code indicate a value greater than 9.9 GHz. See Table 2 for value.

Character Code	Code Value
A	0
B	1
C	2
D	3
E	4
F	5
G	6
H	7
J	8
K	9
Examples:	1A = 10.0 GHz 2H = 27.0 GHz

Table 2.

Product Ordering Information

Order Number	Description	Unit of Measure	Image
CGH27030S	GaN HEMT	Each	
CGH27030S-AMP1	Test board without GaN HEMT	Each	
CGH27030S-AMP2	Test board with GaN HEMT installed	Each	
CGH27030S-TR	Delivered in Tape and Reel	250 parts / reel	



Disclaimer

Specifications are subject to change without notice. Cree, Inc. believes the information contained within this data sheet to be accurate and reliable. However, no responsibility is assumed by Cree for any infringement of patents or other rights of third parties which may result from its use. No license is granted by implication or otherwise under any patent or patent rights of Cree. Cree makes no warranty, representation or guarantee regarding the suitability of its products for any particular purpose. "Typical" parameters are the average values expected by Cree in large quantities and are provided for information purposes only. These values can and do vary in different applications and actual performance can vary over time. All operating parameters should be validated by customer's technical experts for each application. Cree products are not designed, intended or authorized for use as components in applications intended for surgical implant into the body or to support or sustain life, in applications in which the failure of the Cree product could result in personal injury or death or in applications for planning, construction, maintenance or direct operation of a nuclear facility.

For more information, please contact:

Cree, Inc.
4600 Silicon Drive
Durham, North Carolina, USA 27703
rfsales@cree.com
www.cree.com/RF