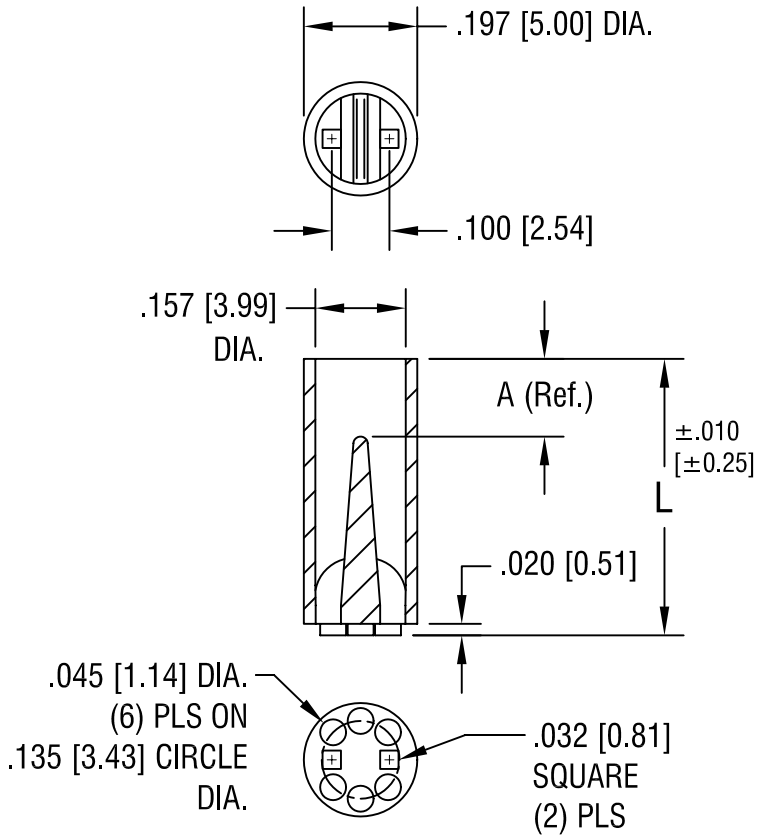


THIS DOCUMENT IS THE PROPERTY OF
KEYSTONE ELECTRONICS CORP. AND
SHALL NOT BE REPRODUCED, DISTRIBUTED
OR USED AS A BASIS FOR MANUFACTURE
WITHOUT PRIOR WRITTEN PERMISSION
FROM KEYSTONE ELECTRONICS CORP.



| PART NO. | 'L' DIM. | 'A' DIM. REF. |
|----------|--------------|---------------|
| 8327 | .400 [10.16] | .075 [1.91] |
| 8328 | .420 [10.67] | .095 [2.41] |
| 8329 | .440 [11.18] | .115 [2.92] |
| 8330 | .450 [11.43] | .120 [3.05] |
| 8331 | .460 [11.68] | .135 [3.43] |
| 8332 | .480 [12.19] | .145 [3.68] |
| 8333 | .500 [12.70] | .055 [1.40] |
| 8334 | .550 [13.97] | .095 [2.41] |
| 8335 | .600 [15.24] | .150 [3.81] |
| 8336 | .650 [16.51] | .075 [1.91] |
| 8337 | .700 [17.78] | .120 [3.05] |
| 8338 | .750 [19.05] | .055 [1.40] |
| 8339 | .800 [20.32] | .110 [2.79] |
| 8340 | .850 [21.59] | .160 [4.06] |
| 8341 | .900 [22.86] | .200 [5.08] |
| 8342 | .925 [23.50] | .230 [5.84] |

KEYSTONE ELECTRONICS CORP.

ASTORIA, N.Y. 11105-2017

| | | | |
|----------------------------|-----------------|-----------------------------|------------------|
| PART NAME | | BI-LEAD LED SPACER, T-1 3/4 | |
| MATERIAL | | NYLON 6/6 | |
| FINISH | - | DRN BY | BOONE |
| | | APP'D | LN |
| | | DATE | 11.14.96 |
| | | SCALE | 3X |
| TOLERANCES | INCH [MM] | CODE | DWG NO. |
| DECIMAL | ± .005 [± 0.15] | C/M | |
| ANGULAR | ± 1° | | |
| UNLESS OTHERWISE SPECIFIED | | | 8327-8342 |

| | | |
|---------|--------------------------|------|
| 5.4.99 | CHANGE AS PER ECN 99-044 | B |
| 3.18.99 | CHANGE AS PER ECN 99-027 | A |
| DATE | DESCRIPTION | REV. |