

0.5A to 6A, 250VAC EMI Filters

Features

- ◆ High Voltage Pulse Attenuation
- ◆ Lug or Wire Terminations
- ◆ Low Earth Leakage Current Option
- ◆ Conforms to UL, CSA and
- ◆ EN Safety Agency Certifications

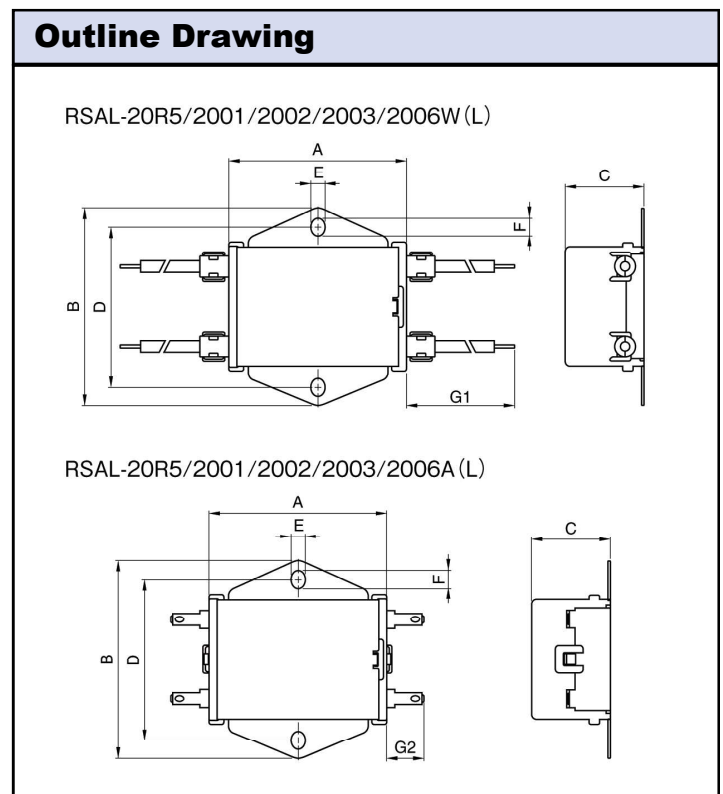
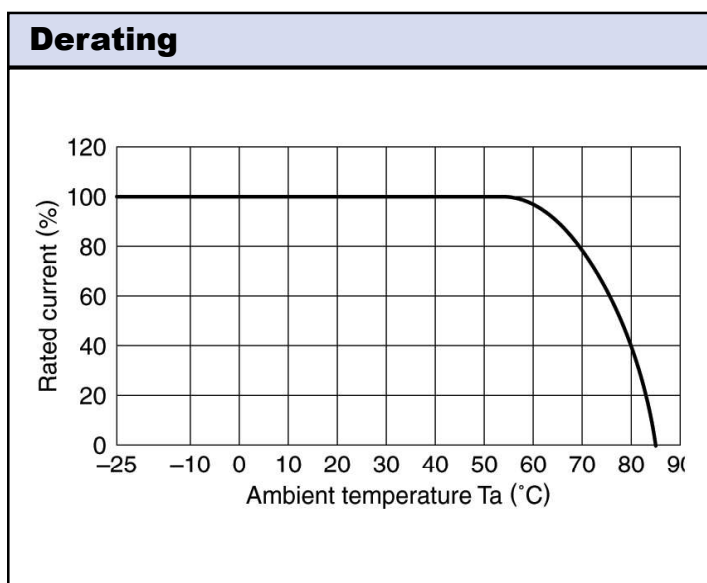


Key Market Segments & Applications



| Specifications | | RSAL-20R5W RSAL-20R5A RSAL-20R5WL RSAL-20R5AL | RSAL-2001W RSAL-2001A RSAL-2001WL RSAL-2001AL | RSAL-2002W RSAL-2002A RSAL-2002WL RSAL-2002AL | RSAL-2003W RSAL-2003A RSAL-2003WL RSAL-2003AL | RSAL-2006W RSAL-2006A RSAL-2006WL RSAL-2006AL |
|------------------------------|----|--|--|--|--|--|
| Rated Voltage (AC, DC) | V | 250V | | | | |
| Rated Current | A | 0.5A | 1A | 2A | 3A | 6A |
| Withstand Voltage | V | Terminals to Case: 2500VAC (1 Minute) | | | | |
| Isolation Resistance | MΩ | 100MΩ minimum (500VDC, 1 Minute) | | | | |
| Leakage Current (max) | A | RSAL-20xxx 1mA; RSAL20xxxL 10µA (250VAC, 60Hz) | | | | |
| DC Resistance (total) | mΩ | 700 | 600 | 250 | 150 | 80 |
| Operating Temperature | °C | -25 to +85°C (Derate above 55°C, see derating curve) | | | | |
| Storage Temperature | °C | -25 to +85°C | | | | |
| Safety Agency Certifications | - | UL1283, CSA C22.2 No.8, EN60939 | | | | |
| Weight | g | 61g Maximum | | | | |
| Warranty | yr | 5 Year | | | | |

| Options | |
|---|-------------|
| Wire Terminations | RSAL-20xxW |
| Lug Terminations | RSAL-20xxA |
| Wire Terminations & Low Leakage Current | RSAL-20xxWL |
| Lug Terminations & Low Leakage Current | RSAL-20xxAL |



Circuit

RSAL-2 *** W
RSAL-2 *** A



RSAL-2 *** WL
RSAL-2 *** AL



Attenuation Characteristics

RSAL-20R5W/A



RSAL-2001W/A



RSAL-2002W/A



RSAL-2003W/A



RSAL-2006W/A



RSAL-20R5WL/AL



RSAL-2001WL/AL



RSAL-2002WL/AL



RSAL-2003WL/AL



RSAL-2006WL/AL



For Additional Information, please visit
us.tdk-lambda.com/lp/products/r-series.htm

