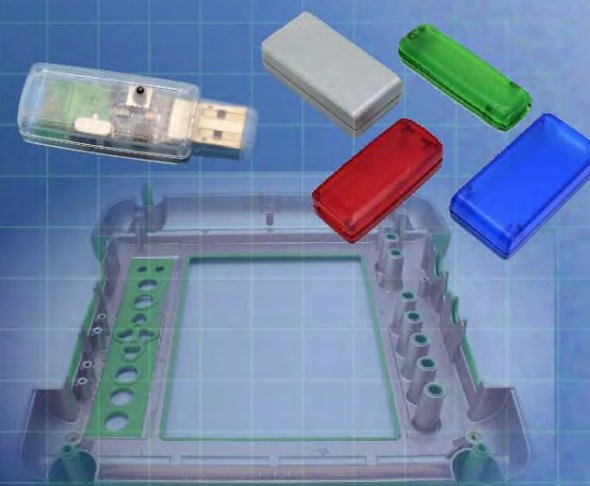


Ordering a market-ready enclosure® is made fast and affordable with our complete in-house capabilities. New Age provides machined openings to fit your PCB, pad printing for your graphics, custom enclosures, custom colors, final assembly, testing and fulfillment services to save you additional time and money. Ask your representative for a free quote today 805-595-1310.

## ***Fast and Affordable Customization***

**CNC Modifications  
Pad Printing  
Colored Resins  
EMI/RF Shielding  
Custom Enclosure  
Assembly & Testing**



ISO quality  
off-the-shelf  
to market-ready®

# **NEW AGE ENCLOSURES**

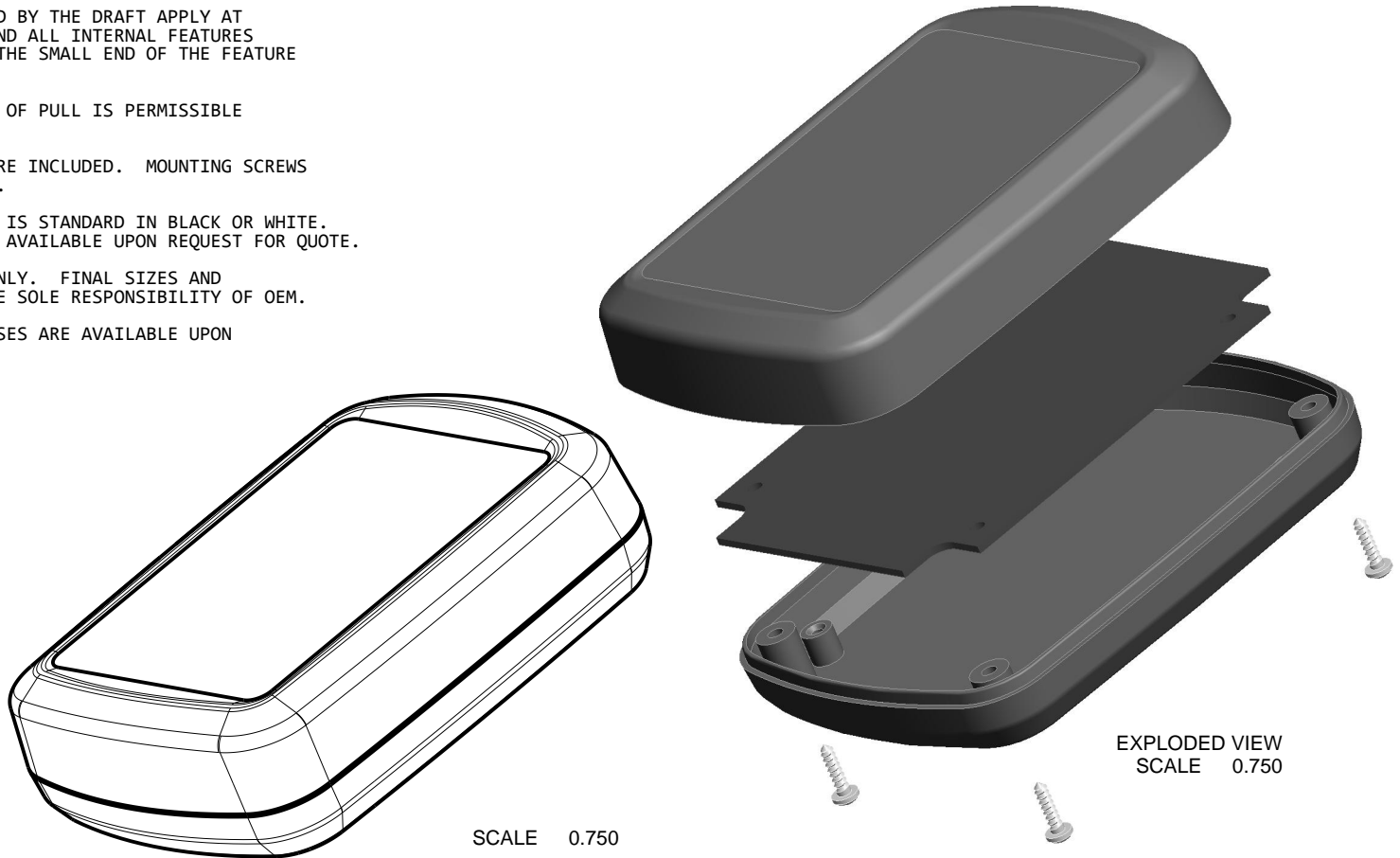
[www.NewAgeEnclosures.com](http://www.NewAgeEnclosures.com)

4330 Santa Fe Road • San Luis Obispo, CA 93401 • T 805.595.1310 • F 805.595.1024

NOTES: UNLESS OTHERWISE SPECIFIED

1. CORNERS DRAWN SHARP TO BE R.005 MAXIMUM.
2. EXTERIOR SURFACE TEXTURE TO BE LIGHT EDM FINISH. EQUIVELANT TO MT-11010.
3. INTERIOR SURFACE TEXTURE TO BE: NONE.
4. ALL INSIDE RADII .010R. UNLESS OTHERWISE SPECIFIED.
5. ALL EXTERNAL DIMENSIONS AFFECTED BY THE DRAFT APPLY AT THE LARGE END OF THE FEATURE, AND ALL INTERNAL FEATURES AFFECTED BY THE DRAFT APPLY AT THE SMALL END OF THE FEATURE UNLESS OTHERWISE SPECIFIED.
6. 1 DEGREE DRAFT IN THE DIRECTION OF PULL IS PERMISSIBLE UNLESS OTHERWISE SPECIFIED.
7. ASSEMBLY SCREWS FOR THE ENCLOSURE INCLUDED. MOUNTING SCREWS FOR THE PCB ARE SOLD SEPERATELY.
8. MATERIAL / COLOR: ABS PLASTIC IS STANDARD IN BLACK OR WHITE. CUSTOM MATERIALS AND COLORS ARE AVAILABLE UPON REQUEST FOR QUOTE.
9. PCB SIZES ARE RECOMMENDATIONS ONLY. FINAL SIZES AND VERIFICATION OF IT'S FIT ARE THE SOLE RESPONSIBILITY OF OEM.
10. STANDARD OR CUSTOM LABEL RECESSES ARE AVAILABLE UPON REQUEST FOR QUOTE.

R E V I S I O N					
REV.	DRAWN BY	ECO No	DESCRIPTION	DATE	APPROVED
1	M BOYER		PRELIMINARY RELEASE	24-Aug-05	D.C.
2	M BOYER	0208	UPDATE FORMAT AND RELEASE	15-May-08	D.C.
3	M BOYER	0610	FORMAT AND PCB SIZE	23-Feb-10	D.C.
3.1	M BOYER	0710	UPDATE FORMAT	26-Mar-10	



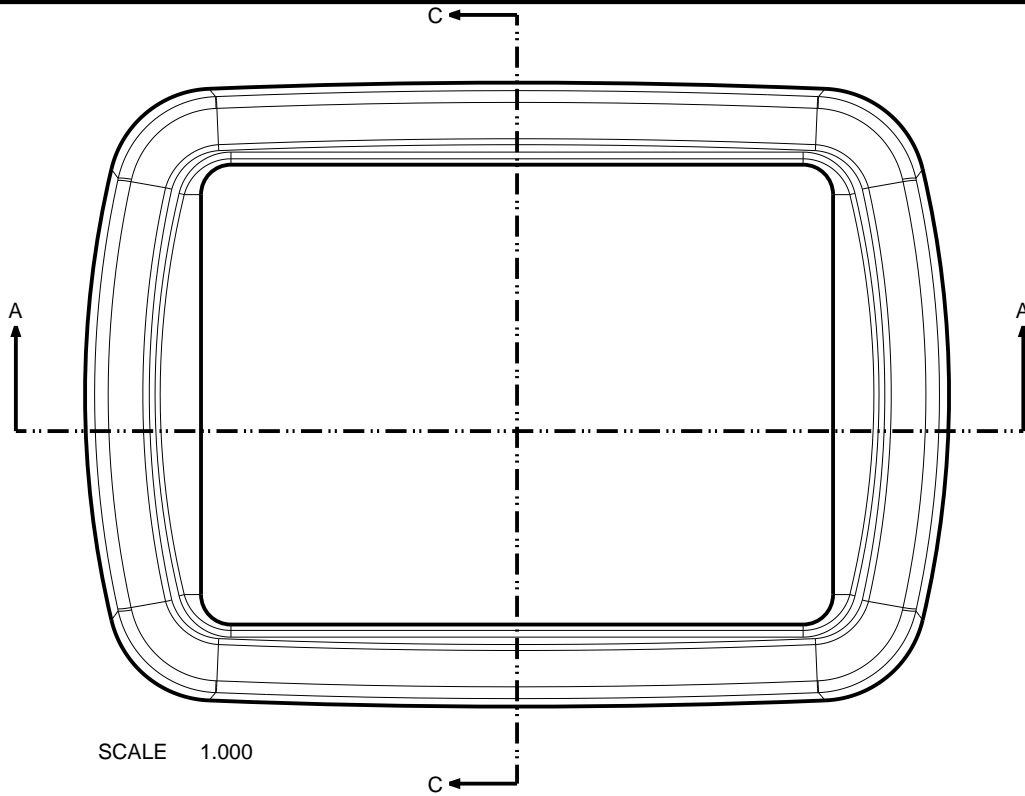
SCALE 0.750

EXPLODED VIEW  
SCALE 0.750

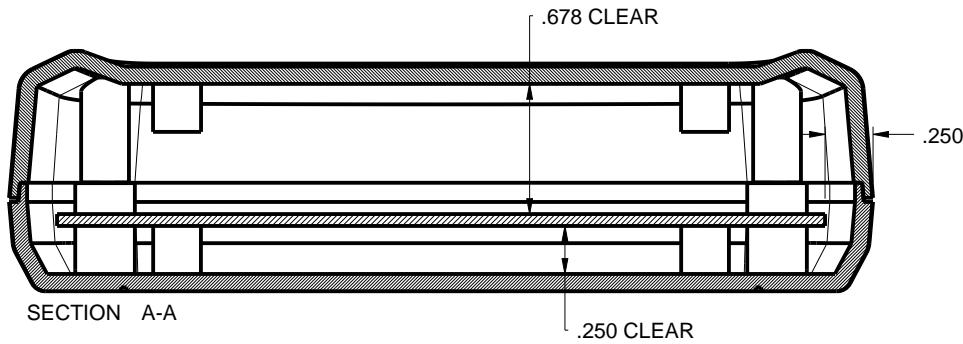
ITEM	FILE NAME	DESCRIPTION	MATERIAL	COLOR	QTY.
4	SCREW_NO_4X3-8	SHILO #4 x 3/8"	STEEL	ZINK COATED	4
3	453212_COVER	453212 COVER - STANDARD	ABS	BLACK or WHITE	1
2	453212_BASE	453212 BASE - STANDARD	ABS	BLACK or WHITE	1
1	453212_PCB	453212 PCB - REFERENCE	CUSTOMER SUPPLIED	.062" THICK	1

**BILL OF MATERIALS**

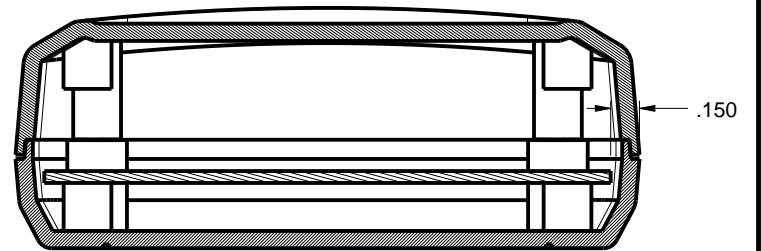
<b>THIRD ANGLE PROJECTION</b>  DO NOT SCALE DRAWING		TOLERANCES: UNLESS OTHERWISE SPECIFIED DIMENSIONS ARE IN U.S. INCHES. X.XX = .015 X.XXXX = .001 X.XXX = .010 X.X° = 1°		<b>NEW AGE ENCLOSURES</b> 4330 Santa Fe Road San Luis Obispo, CA. 93401 ph. (805) 595-1310 fax (805) 595-1024 <a href="http://www.newageenclosures.com">www.newageenclosures.com</a>	
NOTICE: THE INFORMATION AND DATA CONTAINED HEREIN IS CONSIDERED PROPRIETARY TO ALLTEC INTEGRATED MFG INC & SHALL REMAIN THE EXCLUSIVE PROPERTY OF ALLTEC INTEGRATED MFG INC THE HOLDER WILL ASSUME CUSTODY AND CONTROL THAT THIS DOCUMENT WILL NOT BE COPIED, REPRODUCED, OR DISCLOSED WITHOUT THE EXPRESS WRITTEN CONSENT OF ALLTEC INTEGRATED MFG INC POSSESSION OF THIS DOCUMENT DOES NOT CONSTITUTE A GRANT TO MANUFACTURE ANY ITEMS. <small>© 2010</small>		<b>NEW AGE ENCLOSURES</b> Customer's Part No: 453212			
APPROVAL	BY	DATE			
CHECK					
ENG.					
SCALE					
DRAWN BY	24-Aug-05		SIZE	DRAWING NAME	SHEET
M BOYER			A	453212_R3_1	1 OF 6
					REV.DOC
					3.1



SCALE 1.000



SECTION A-A



SECTION C-C

TOLERANCES: UNLESS OTHERWISE SPECIFIED  
DIMENSIONS ARE IN U.S. INCHES:

X.XX = .015 X.XXXX = .001  
X.XXX = .010 X.X° = 1°

NEW AGE ENCLOSURES

Customer's Part No: 453212

APPROVAL	BY	DATE
CHECK		
ENG.		
SCALE		
DRAWN BY	24-Aug-05	
M BOYER		

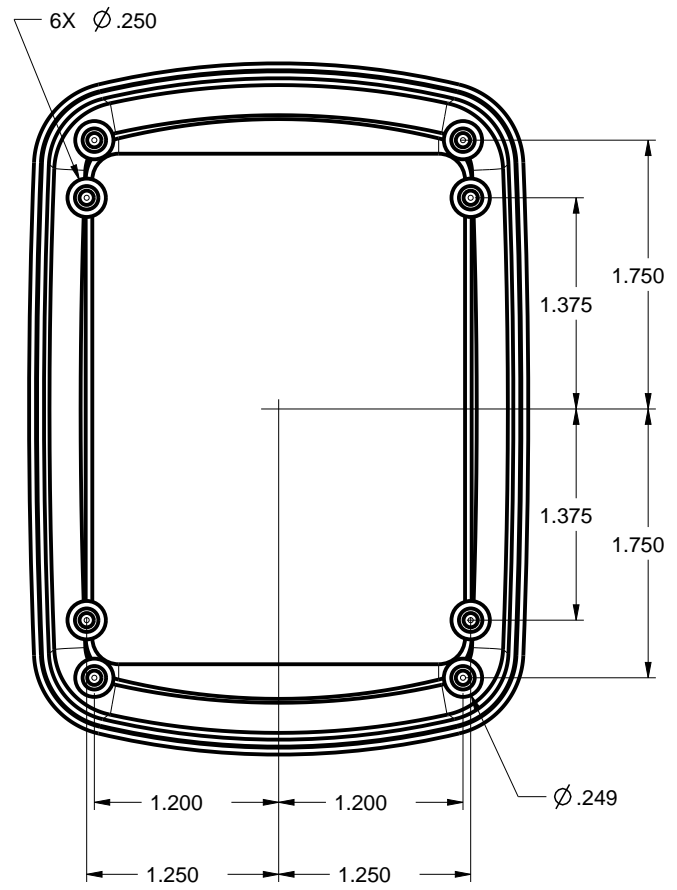
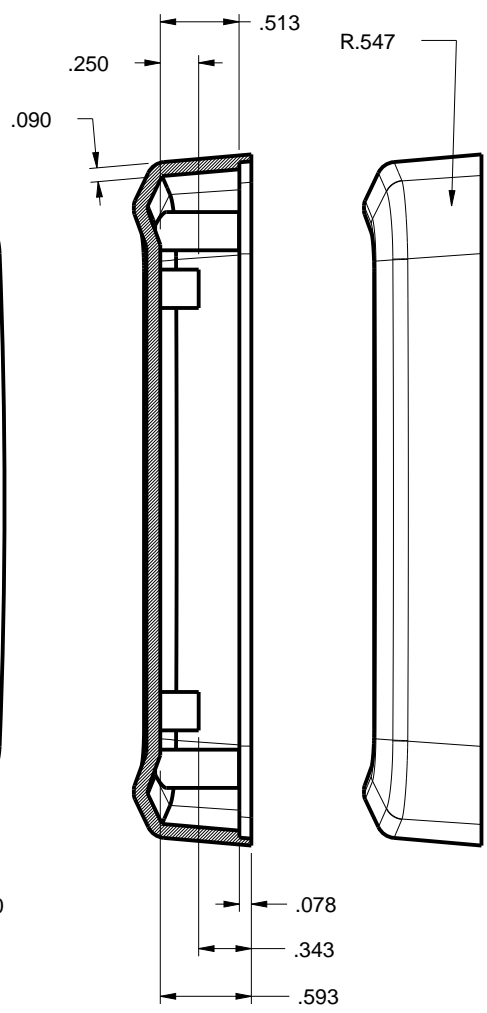
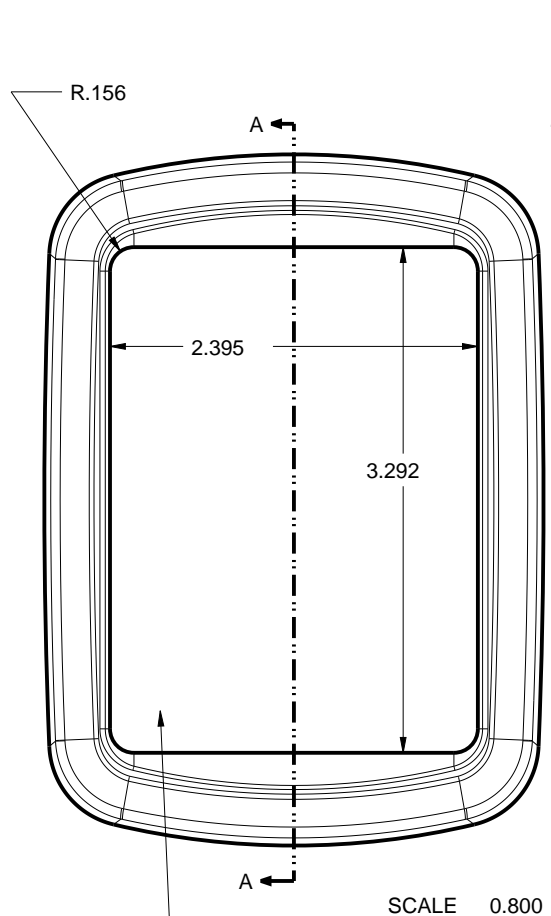
**NEW AGE ENCLOSURES**

4330 Santa Fe Road San Luis Obispo, CA. 93401  
ph. (805) 595-1310 fax (805) 595-1024  
[www.newageenclosures.com](http://www.newageenclosures.com)

**STANDARD LARGE UTILITY  
SXX-453212 ASSEMBLY**

SIZE	DRAWING NAME	SHEET	REV.DOC
A	453212_R3_1	2 OF 6	3.1

453212 COVER



TOLERANCES: UNLESS OTHERWISE SPECIFIED  
DIMENSIONS ARE IN U.S. INCHES:  
X.XX = .015 X.XXXX = .001  
X.XXX = .010 X.X° = 1°

NEW AGE ENCLOSURES

Customer's Part No: 453212

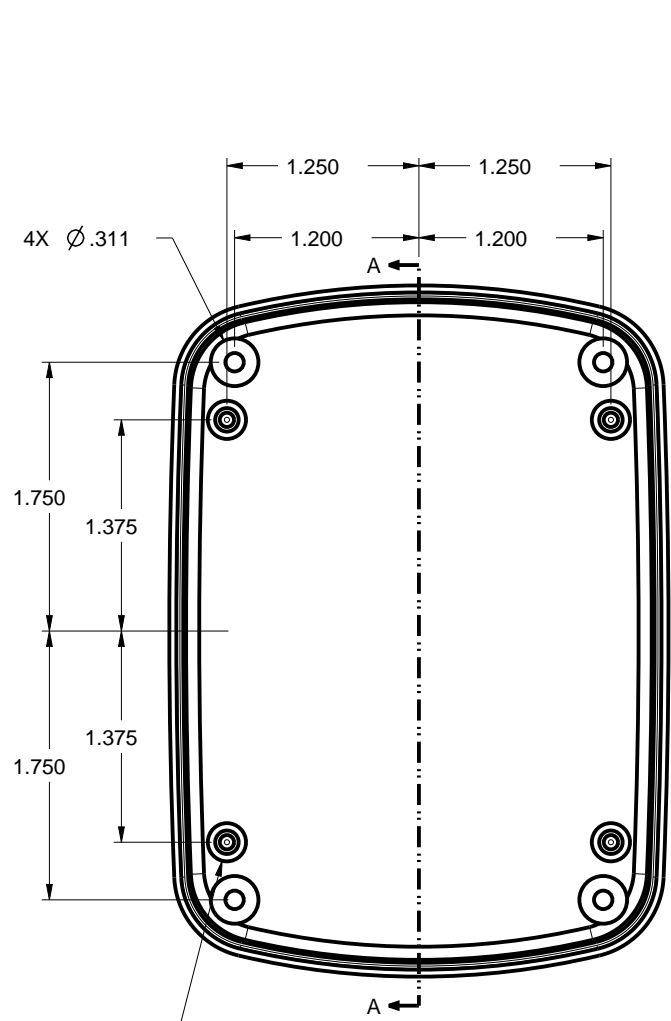
APPROVAL	BY	DATE
CHECK		
ENG.		
SCALE		
DRAWN BY	24-Aug-05	
M BOYER		

**NEW AGE ENCLOSURES**  
 4330 Santa Fe Road San Luis Obispo, CA. 93401  
 ph. (805) 595-1310 fax (805) 595-1024  
[www.newageenclosures.com](http://www.newageenclosures.com)

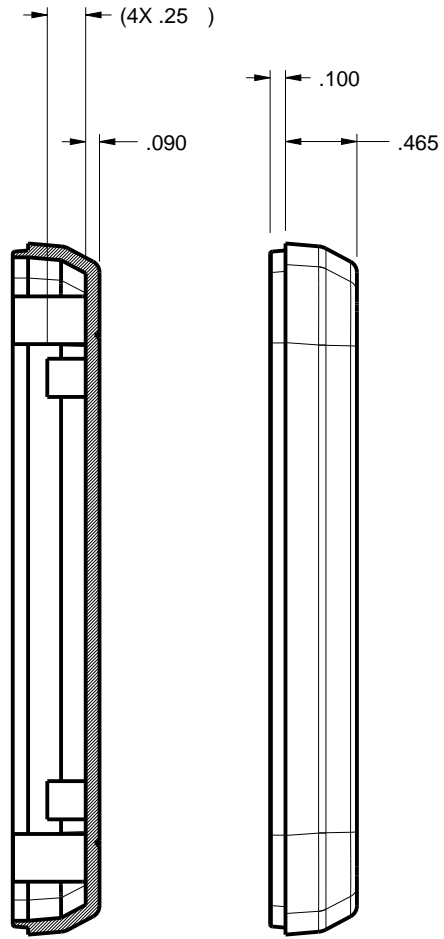
STANDARD LARGE UTILITY  
SXX-453212 ASSEMBLY

SIZE	DRAWING NAME	SHEET	REV.DOC
A	453212_R3_1	3 OF 6	3.1

453212 BASE

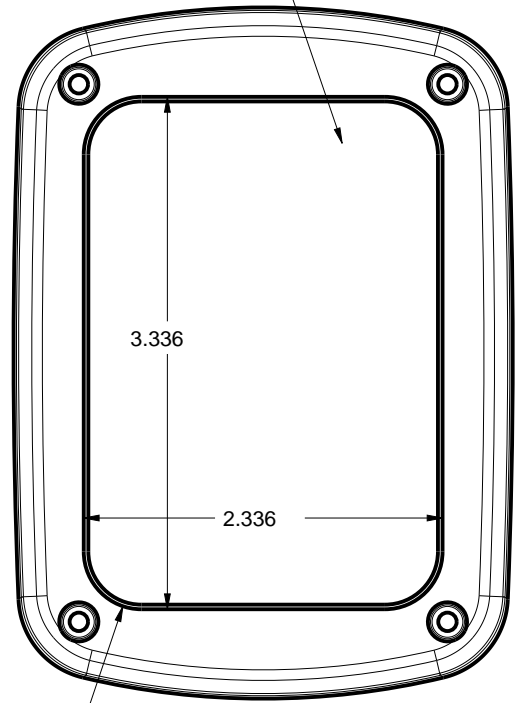


4X  $\varnothing$ .249  
PCB MOPUNTING POSTS  
USE #4 X .375  
HILO SCREW



SECTION A-A

AREA AVAILABLE FOR  
CUSTOM TOOLING  
2.366 X 3.336

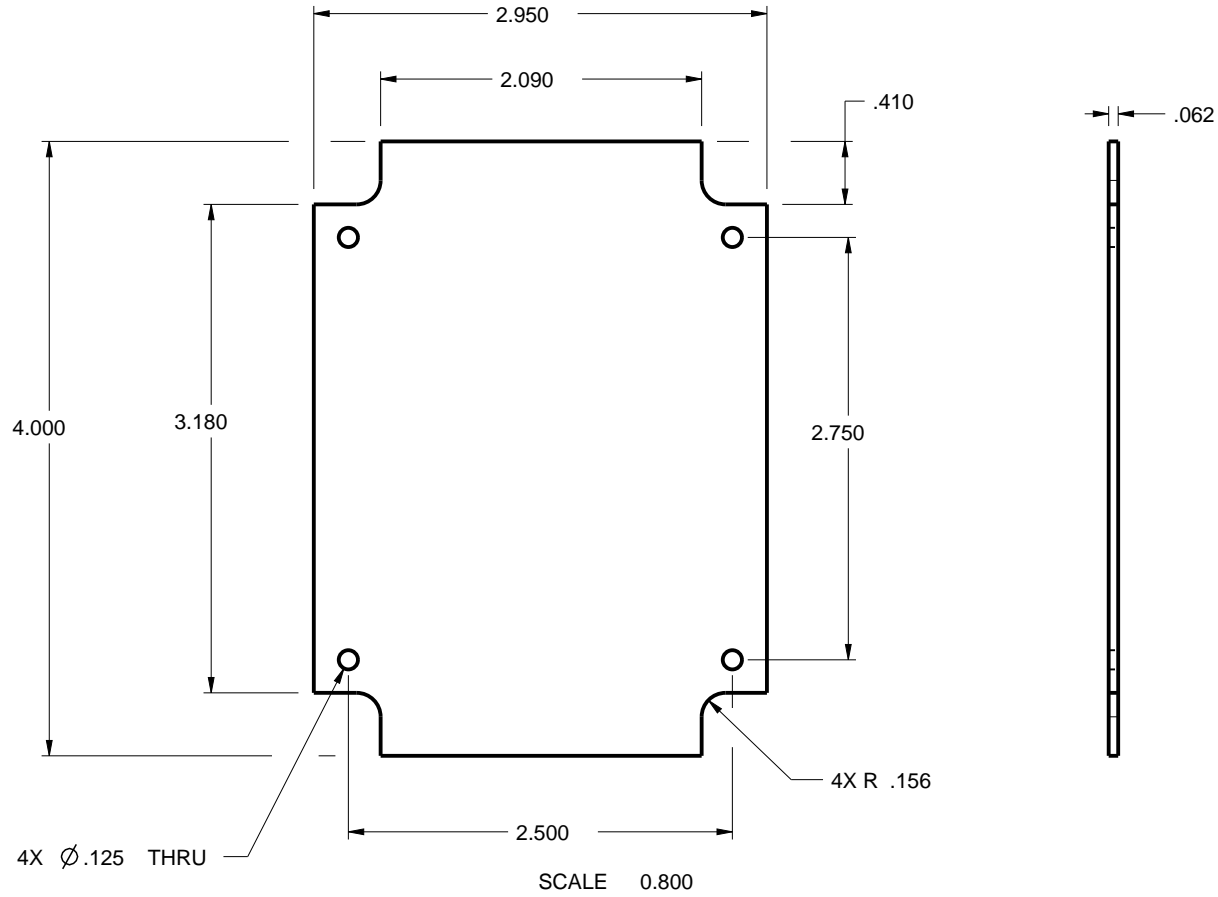


(R .375 ) SCALE 0.800

TOLERANCES: UNLESS OTHERWISE SPECIFIED DIMENSIONS ARE IN U.S. INCHES: X.XX = .015 X.XXXX = .001 X.XXX = .010 X.X° = 1°		<b>NEW AGE ENCLOSURES</b> 4330 Santa Fe Road San Luis Obispo, CA. 93401 ph. (805) 595-1310 fax (805) 595-1024 <a href="http://www.newageenclosures.com">www.newageenclosures.com</a>			
NEW AGE ENCLOSURES					
Customer's Part No: 453212		<b>STANDARD LARGE UTILITY SXX-453212 ASSEMBLY</b>			
APPROVAL	BY DATE				
CHECK					
ENG.					
SCALE		SIZE	DRAWING NAME	SHEET	REV.DOC
M BOYER	24-Aug-05	A	453212_R3_1	4 OF 6	3.1

### 453212 PCB

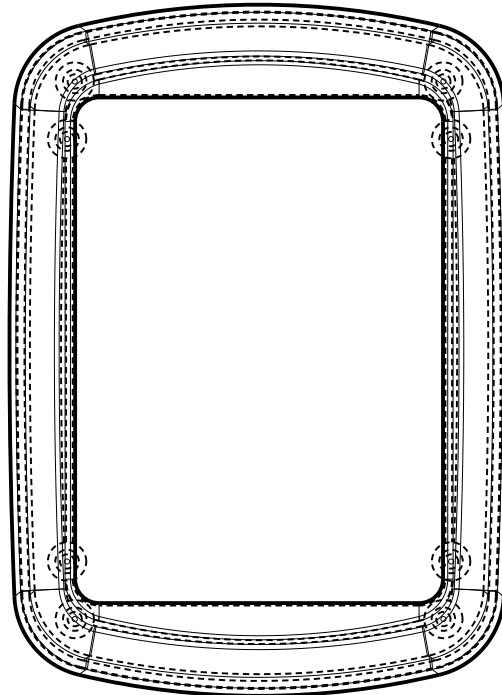
PCB SIZES ARE RECOMMENDATIONS ONLY. FINAL SIZES AND VERIFICATION OF IT'S FIT ARE THE SOLE RESPONSIBILITY OF EACH OWNER.



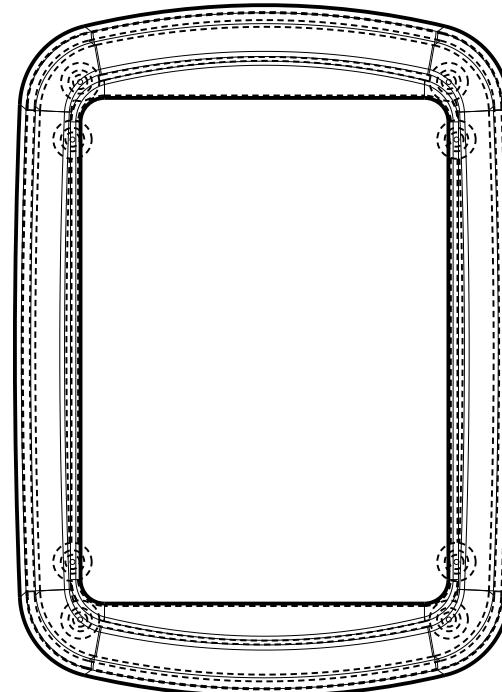
TOLERANCES: UNLESS OTHERWISE SPECIFIED DIMENSIONS ARE IN U.S. INCHES: X.XX = .015 X.XXXX = .001 X.XXX = .010 XX° = 1°		<b>NEW AGE ENCLOSURES</b>	
Customer's Part No: 453212		4330 Santa Fe Road San Luis Obispo, CA. 93401 ph. (805) 595-1310 fax (805) 595-1024 <a href="http://www.newageenclosures.com">www.newageenclosures.com</a>	
APPROVAL	BY	DATE	<b>STANDARD LARGE UTILITY SXX-453212 ASSEMBLY</b>
CHECK			
ENG.			
SCALE			
DRAWN BY M BOYER	24-Aug-05	SIZE A	DRAWING NAME 453212_R3_1
		SHEET 5 OF 6	REV.DOC 3.1

## 2nd OPERATION DETAILS

NEW AGE ENCLOSURES DELIVERS YOUR ENCLOSURE MARKET-READY WITH IN-HOUSE  
CNC MACHINING, PAD PRINTING, ASSEMBLY, AND FULFILLMENT.  
ALL SURFACES AND AREAS ARE AVAILABLE FOR CNC ALTERATION BY NEW AGE ENCLOSURES  
CALL (805) 595-1310 FOR PRICING AND SCHEDULE.  
THE INSIDE RADIUS OF ANY MACHINED FEATURES SHOULD BE NO SMALLER THAN .031"



453212 COVER  
SCALE 0.800



453212 BASE  
SCALE 0.800

### SXX-453212-XXX COVER - ABS, BLACK

STEP NO	DESCRIPTION	CUTTER	FIXTURE	ORIENTATION	PROGRAM
1	1	T2 = .062" EM	-	-	oXXXX
2	2	T2 = .062" EM	-	-	oXXXX
3	3	T2 = .062" EM	-	-	oXXXX

### SXX-453212-XXX BASE - ABS, BLACK

STEP NO	DESCRIPTION	CUTTER	FIXTURE	ORIENTATION	PROGRAM
4	4	T2 = .062" EM	-	-	oXXXX
5	5	T2 = .062" EM	-	-	oXXXX
6	6	T2 = .062" EM	-	-	oXXXX

TOLERANCES: UNLESS OTHERWISE SPECIFIED DIMENSIONS ARE IN U.S. INCHES: X.XX = .015 X.XXXX = .001 X.XXX = .010 X.X° = 1°		
<b>NEW AGE ENCLOSURES</b>		
Customer's Part No: 453212		
APPROVAL	BY	DATE
CHECK		
ENG.		
SCALE		
DRAWN BY	24-Aug-05	
M BOYER		

## NEW AGE ENCLOSURES

4330 Santa Fe Road San Luis Obispo, CA. 93401  
ph. (805) 595-1310 fax (805) 595-1024  
[www.newageenclosures.com](http://www.newageenclosures.com)

---

### STANDARD LARGE UTILITY SXX-453212 ASSEMBLY

SIZE	DRAWING NAME	SHEET	REV.DOC
A	453212_R3_1	6 OF 6	3.1



# Mouser Electronics

Authorized Distributor

Click to View Pricing, Inventory, Delivery & Lifecycle Information:

[New Age Enclosures:](#)

[S3A-453212](#) [S1A-453212](#)