

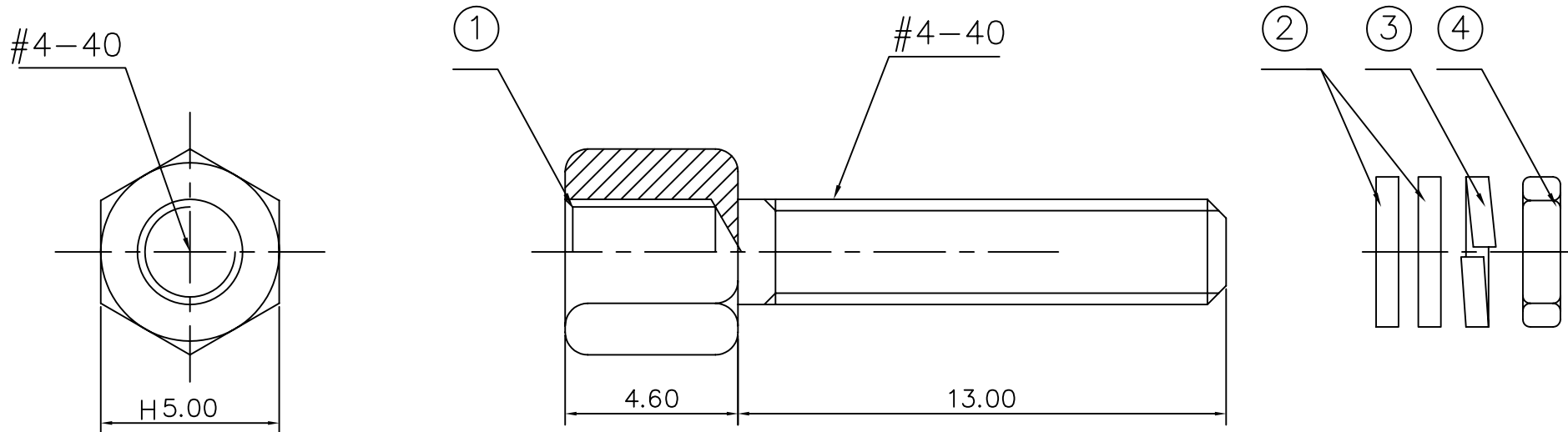
A

B

C

D

E



NOTES:

1. Material:

- ① 10 SCREWS STEEL
- ② 20 WASHERS STEEL
- ③ 10 LOCK WASHERS STEEL
- ④ 10 NUTS STEEL

2. Finish :Bright Tinned plating. over nickel.

3. 1P/N= 10 Lockings
locking are necessary for one connector

4. Marking:

Amphenol L17D
 Made in China
 P/N: L17D204182LEX



Amphenol Socapex		TOL. GEN.: +/-0.30																	
		VOLUME:																	
		AREA:																	
		PLATING:																	
SERIES	Screw	TREATMENT:																	
NUMBER SERIES		MATERIAL:																	
DATE	2007.07.20	FILE:		CUSTOMER	MODIFICATIONS	DRAW	DATE	APPROVE	IND.										
		DESIGNATION	HEX LOCKING SCREW	INTERNAL PART NUMBER				L17D204182LEX											