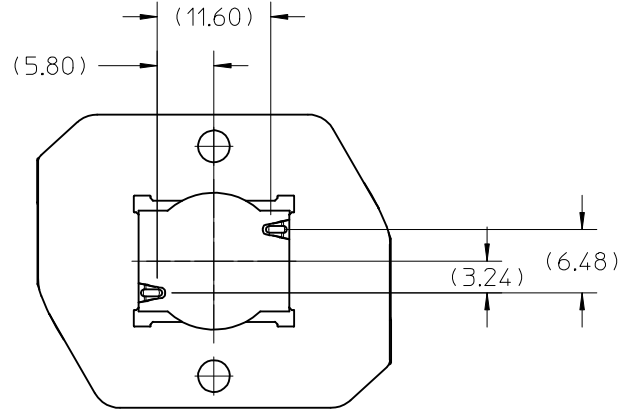
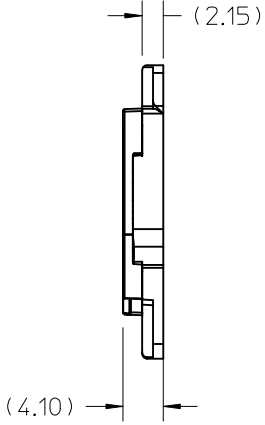
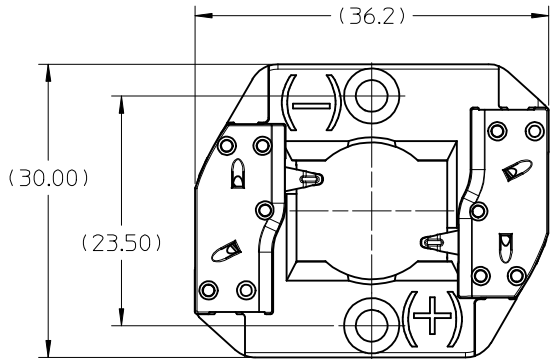
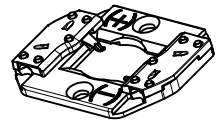


10	9	8	7	6	5	4	3	2	1
PART NUMBER	DESCRIPTION			MATERIAL	COLOR	AGENCY APPROVAL			
180390-0002	COB LED HOLDER ASSEMBLY 15.0MM X 12.0MM - NYLON			POLYAMIDE, GLASS FILLED	NATURAL	UL 496 FILE# E345583			
180390-0102	COB LED HOLDER ASSEMBLY 15.0MM X 12.0MM - PBT			POLYESTER, GLASS FILLED	WHITE	UL 496 FILE# E345583			



- NOTES:
- MATERIALS: HOUSING AND CAP: SEE CHART
TERMINAL: COPPER ALLOY
 - FINISHES: COB LED CONTACT BEAM: GOLD OVER NICKEL, WIRE TRAP: TIN OVER NICKEL
 - PRODUCT SPECIFICATION: PS-180390-002
 - PACKGING SPECIFICATION PK-180396-101
 - APPLICATION SPECIFICATION: AS-180328-001
 - APPLICABLE WIRE GAUGE - 18, 20, AND 22 AWG
 - TINNED SOLID WIRE IS PREFERRED
 - FOR STRANDED WIRE, PRE-TINNED IS RECOMMENDED
 - 10 mm +2/-0 mm STRIP LENGTH IS RECOMMENDED
 - MOUNT HOLDER USING M3 OR 4-40 SCREWS (2), SEE SHEET 3 FOR TORQUE SPECIFICATION.
 - THIS PRODUCT IS ELV AND ROHS COMPLIANT
 - ALL DIMENSIONS IN PARENTHESIS (XX.XX) ARE FOR REFERENCE ONLY



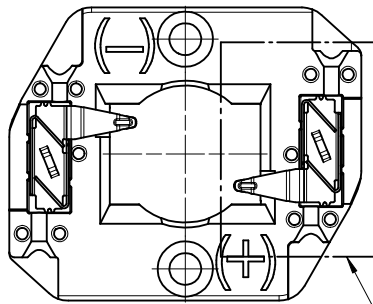
ISO TOP VIEW
SCALE 1:1

ENTER DESCRIPTION EC NO: SSL2016-0054 DRAWN: ZABJANOVSKI 2016/03/29 CHKD: APPR: GMEYER 2016/04/11 REV	QUALITY SYMBOLS	GENERAL TOLERANCES (UNLESS SPECIFIED)		DIMENSION STYLE MM ONLY		SCALE 2:1	DESIGN UNITS METRIC	THIRD ANGLE PROJECTION	
	$\nabla=0$	mm	INCH	DRAWN BY MDEVITO	DATE 2012/02/03	TITLE COB LED HOLDER 15.0MM X 12.0MM RECTANGLE			
	$\nabla=0$	4 PLACES ± ---	± ---	CHECKED BY	DATE				
	$\nabla=0$	3 PLACES ± ---	± ---	APPROVED BY DMCGOWAN		DATE 2012/02/07	MOLEX INCORPORATED		MATERIAL NO.
$\nabla=0$	2 PLACES ± 0.13	± ---	DRAFT WHERE APPLICABLE MUST REMAIN WITHIN DIMENSIONS		SIZE B	DOCUMENT NO. SD-180390-002		SHEET NO. 1 OF 3	
D2		ANGULAR ±1/2°		THIS DRAWING CONTAINS INFORMATION THAT IS PROPRIETARY TO MOLEX INCORPORATED AND SHOULD NOT BE USED WITHOUT WRITTEN PERMISSION					

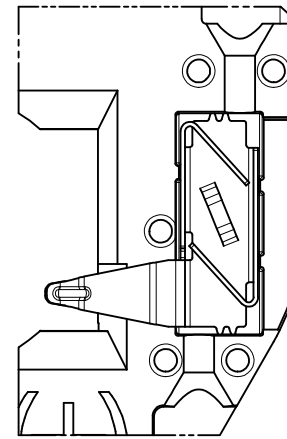
DETAIL VIEW OF TWO-WAY WIRE TRAP

WIRE TRAPS CAN ACCOMMODATE
18, 20, AND 22 GAUGE WIRE

NOTE: WIRE TRAP CAPS ARE REMOVED FOR CLARITY



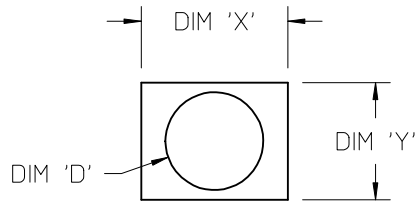
SEE DETAIL A



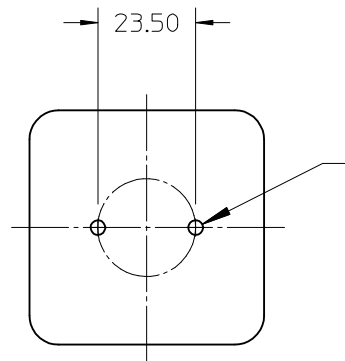
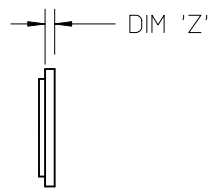
DETAIL A
SCALE 4:1

ENTER DESCRIPTION EC NO: SSL2016-0054 DRWNLZABJANOVSKI 2016/03/29 CHKD: APPR:GMEYER 2016/04/11 REV	QUALITY SYMBOLS	GENERAL TOLERANCES (UNLESS SPECIFIED)		DIMENSION STYLE MM ONLY		SCALE 2:1	DESIGN UNITS METRIC	THIRD ANGLE PROJECTION	
	$\nabla F/0$	mm	INCH	DRAWN BY MDEVITO	DATE 2012/02/03	TITLE COB LED HOLDER 15.0MM X 12.0MM RECTANGLE			
	$\nabla E/0$	4 PLACES ± ---	± ---	CHECKED BY	DATE	APPROVED BY DMCGOWAN			
	$\nabla D/0$	3 PLACES ± ---	± ---	DATE 2012/02/07		MATERIAL NO.		DOCUMENT NO. SD-180390-002	
		2 PLACES ± 0.13	± ---	APPROVED BY DATE 2012/02/07		MOLEX INCORPORATED		SHEET NO. 2 OF 3	
		1 PLACE ± 0.25	± ---	DRAFT WHERE APPLICABLE MUST REMAIN WITHIN DIMENSIONS		THIS DRAWING CONTAINS INFORMATION THAT IS PROPRIETARY TO MOLEX INCORPORATED AND SHOULD NOT BE USED WITHOUT WRITTEN PERMISSION			
D2		ANGULAR ± 1/2°		SEE CHART					

COB MFG	TYPE	DIM 'X'	DIM 'Y'	DIM 'Z'	DIM 'D'
SHARP	MINI ZENIGATA	15.0	12.0	1.0	-
NICHIA	NTCWS024B, NTCLS024B	15.0	12.0	1.0	-
LUMILEDS	LUXEON L2C1 120206	15.0	12.0	1.0	-



COB LED
SCALE 2:1



M3 OR 4-40 TAPPED HOLES (2)
TORQUE: CERAMIC 0.20 N-M MIN TO 0.40 N-M MAX
ALUMINUM 0.40 N-M MIN TO 0.80 N-M MAX

RECOMMENDED MOUNTING DIMENSIONS (NTS)

ENTER DESCRIPTION EC NO: SSL2016-0054 DRWNL:ZAB,JANOVSKI 2016/03/29 CHKD: APPR:GMEYER 2016/04/11 REV	QUALITY SYMBOLS $\nabla F/0$ $\nabla F/0$ $\nabla F/0$	GENERAL TOLERANCES (UNLESS SPECIFIED) <table border="1"> <thead> <tr> <th></th> <th>mm</th> <th>INCH</th> </tr> </thead> <tbody> <tr> <td>4 PLACES</td> <td>± ---</td> <td>± ---</td> </tr> <tr> <td>3 PLACES</td> <td>± ---</td> <td>± ---</td> </tr> <tr> <td>2 PLACES</td> <td>± 0.13</td> <td>± ---</td> </tr> <tr> <td>1 PLACE</td> <td>± 0.25</td> <td>± ---</td> </tr> <tr> <td>0 PLACE</td> <td>± ---</td> <td>± ---</td> </tr> </tbody> </table>		mm	INCH	4 PLACES	± ---	± ---	3 PLACES	± ---	± ---	2 PLACES	± 0.13	± ---	1 PLACE	± 0.25	± ---	0 PLACE	± ---	± ---	DIMENSION STYLE MM ONLY	SCALE 2:1	DESIGN UNITS METRIC	THIRD ANGLE PROJECTION
		mm	INCH																					
	4 PLACES	± ---	± ---																					
	3 PLACES	± ---	± ---																					
2 PLACES	± 0.13	± ---																						
1 PLACE	± 0.25	± ---																						
0 PLACE	± ---	± ---																						
		ANGULAR ±1/2° DRAFT WHERE APPLICABLE MUST REMAIN WITHIN DIMENSIONS	DRAWN BY MDEVITO DATE 2012/02/03 CHECKED BY DATE	TITLE COB LED HOLDER 15.0MM X 12.0MM RECTANGLE																				
			APPROVED BY DMCGOWAN DATE 2012/02/07	DOCUMENT NO. SD-180390-002																				
D2			MATERIAL NO. SEE CHART	SIZE B	SHEET NO. 3 OF 3	THIS DRAWING CONTAINS INFORMATION THAT IS PROPRIETARY TO MOLEX INCORPORATED AND SHOULD NOT BE USED WITHOUT WRITTEN PERMISSION																		