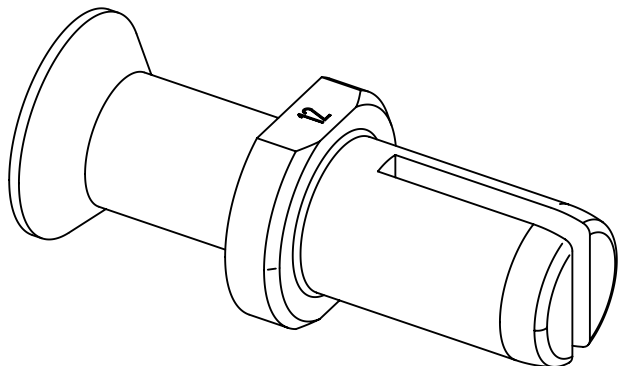


assembly notes see catalog
 crimp zone acc. to DIN EN 46235; indicator 12
 for stranded fine wire acc. to VDE 0295 class 5 / IEC 60228 class 5
 wire gauge: 35mm²
 stripping length: 26mm



	All Dimensions in mm Original Size DIN A4		Scale 2:1	Free size tol.		Ref.		
						Sub.		
	All rights reserved		Created by SCHULZI	Inspected by SCHNIEDER	Standardisation SCHMIDTM	Date 2015-01-27	State Final Release	
	Department EL PD - DE		Title Han TC350 male contact 35mm ²				Doc-Key / ECM-Nr. 100175125/UGD/006/C 500000082399	
HARTING Electric GmbH & Co. KG D-32339 Espelkamp			Type TB	Number 09 11 000 6140			Rev. C	Page 1/1

Mouser Electronics

Authorized Distributor

Click to View Pricing, Inventory, Delivery & Lifecycle Information:

[HARTING:](#)

[09110006140](#)