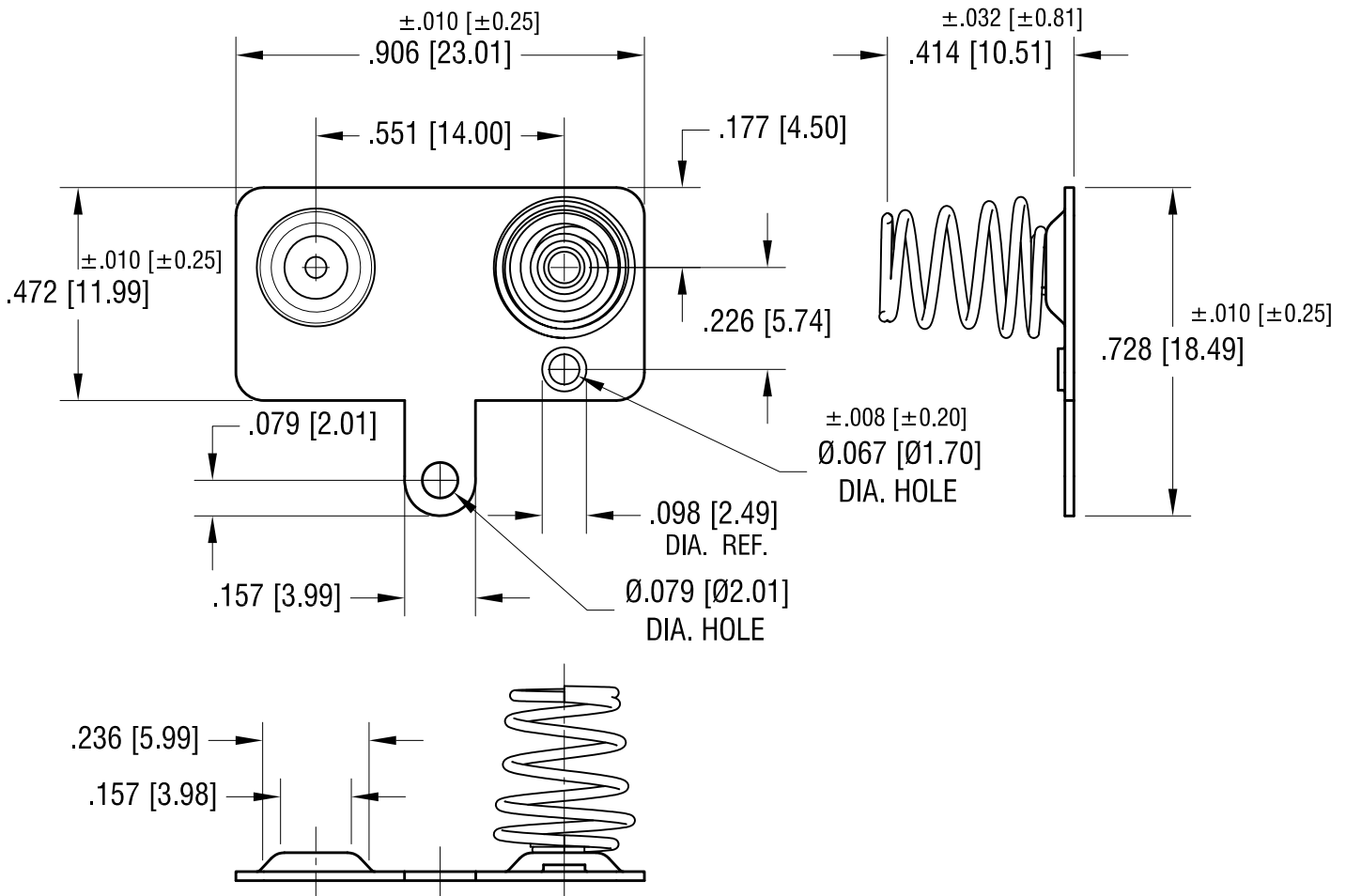
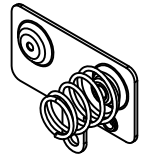


THIS DOCUMENT IS THE PROPERTY OF
KEYSTONE ELECTRONICS CORP. AND
SHALL NOT BE REPRODUCED, DISTRIBUTED
OR USED AS A BASIS FOR MANUFACTURE
WITHOUT PRIOR WRITTEN PERMISSION
FROM KEYSTONE ELECTRONICS CORP.

ACTUAL SIZE



NOTES:

1. BASE:
MAT'L - .020 [0.50] TH'K STEEL
- SPRING CONTACT:
MAT'L - .023 [0.58] DIA. MUSIC WIRE

| | | |
|----------|--------------------------|------|
| 10.16.15 | CHANGE AS PER ECN 15-121 | A |
| DATE | DESCRIPTION | REV. |

| | | | |
|---|---------------------------|--------|---------|
| KEYSTONE ELECTRONICS CORP. | | | |
| www.keyelco.com • ASTORIA, N.Y. 11105-2017 • Tel (718) 956-8900 | | | |
| PART NAME | | | |
| 'A' - 'AA' DUAL M/F BATTERY CONTACT | | | |
| MATERIAL | | | |
| AS NOTED | | | |
| FINISH | | DRN BY | DATE |
| AS NOTED | | NT | 3.26.09 |
| | | APP'D | SCALE |
| | | LN | 2.5X |
| TOLERANCES | INCH [MM] | CODE | DWG NO. |
| DECIMAL | $\pm .005$ [± 0.15] | C | 5210 |
| ANGULAR | $\pm 1^\circ$ | | |
| UNLESS OTHERWISE SPECIFIED | | | |