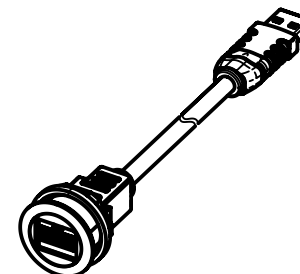
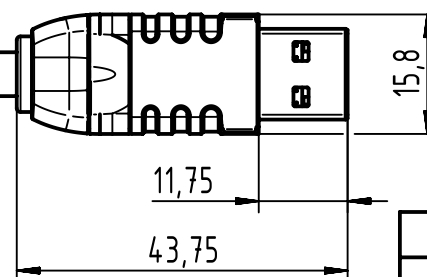
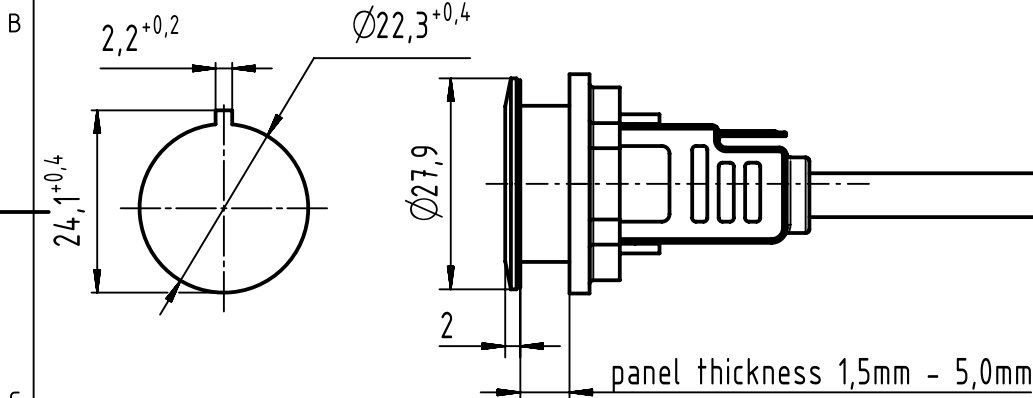
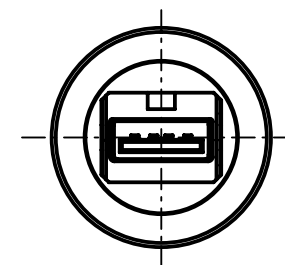
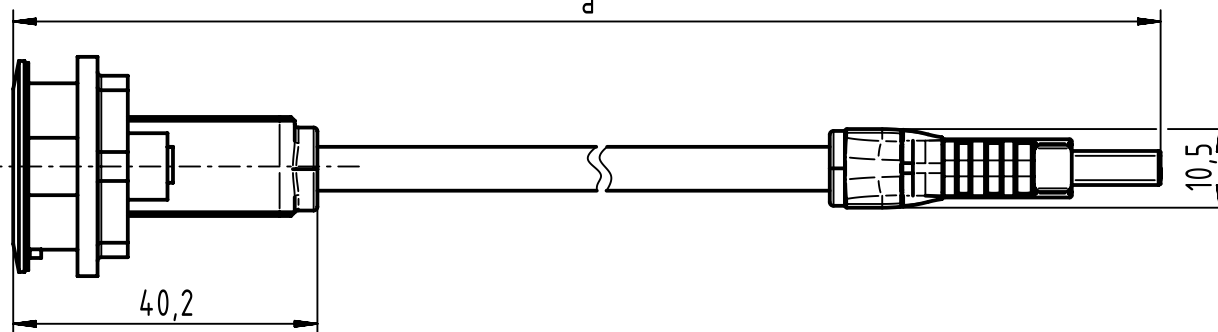
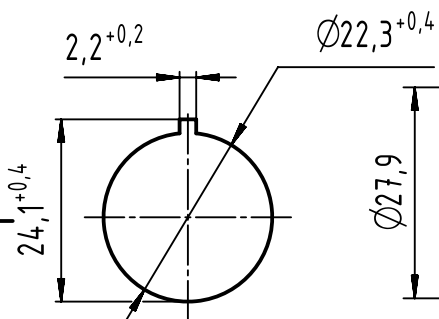
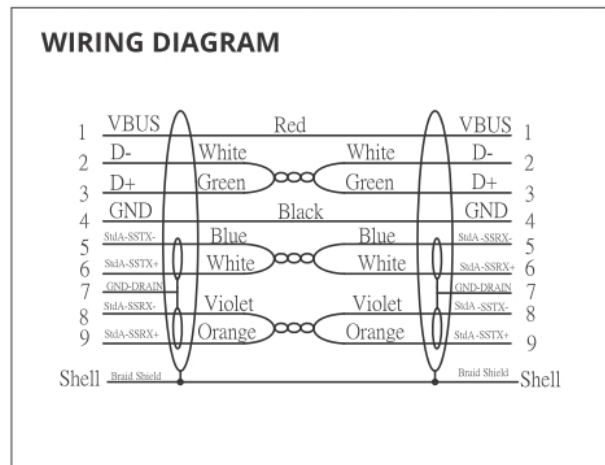


PANEL CUT DIMENSIONS



| | |
|--------------------|--------------|
| 09 45 452 1934 | 3,0 |
| 09 45 452 1933 | 2,0 |
| 09 45 452 1932 | 1,5 |
| 09 45 452 1931 | 1,0 |
| 09 45 452 1930 | 0,5 |
| Part number | a [m] |



| | | | | | |
|---|--|---|-------------------------------|--|-----------------------------|
| | All Dimensions in mm Original Size DIN A4 | Scale 1:1 | Free size tol. ISO 2768 mH | Ref. Sub. TB 0945452193X / 500000091377 / 2015-07-10 | |
| | | All rights reserved Department EC PD - RO | Created by TAMAS | Inspected by AVRAM | Standardisation HOFFMANN |
| HARTING Electronics GmbH D-32339 Espelkamp | | Title har-port USB 3.0 A-A PFT silver cable | | | Date 2016-11-25 |
| | | Type TB | Number 0945452193X | | State Final Release |
| | | | | Doc-Key / ECM-Nr. 100629372/UGD/000/C 500000111080 | Rev. C |
| | | | | Page 1/1 | |

Mouser Electronics

Authorized Distributor

Click to View Pricing, Inventory, Delivery & Lifecycle Information:

[HARTING:](#)

[09454521930](#)