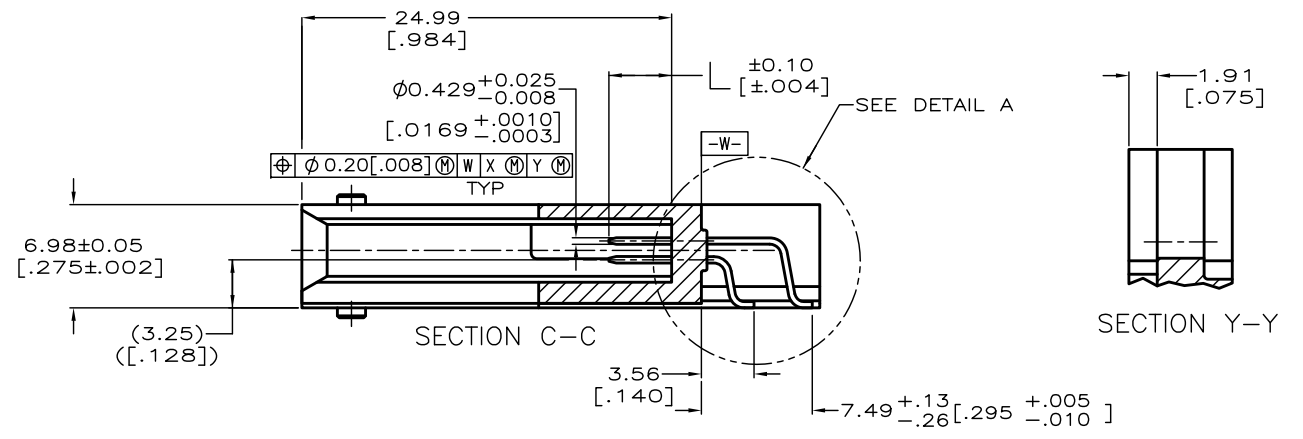
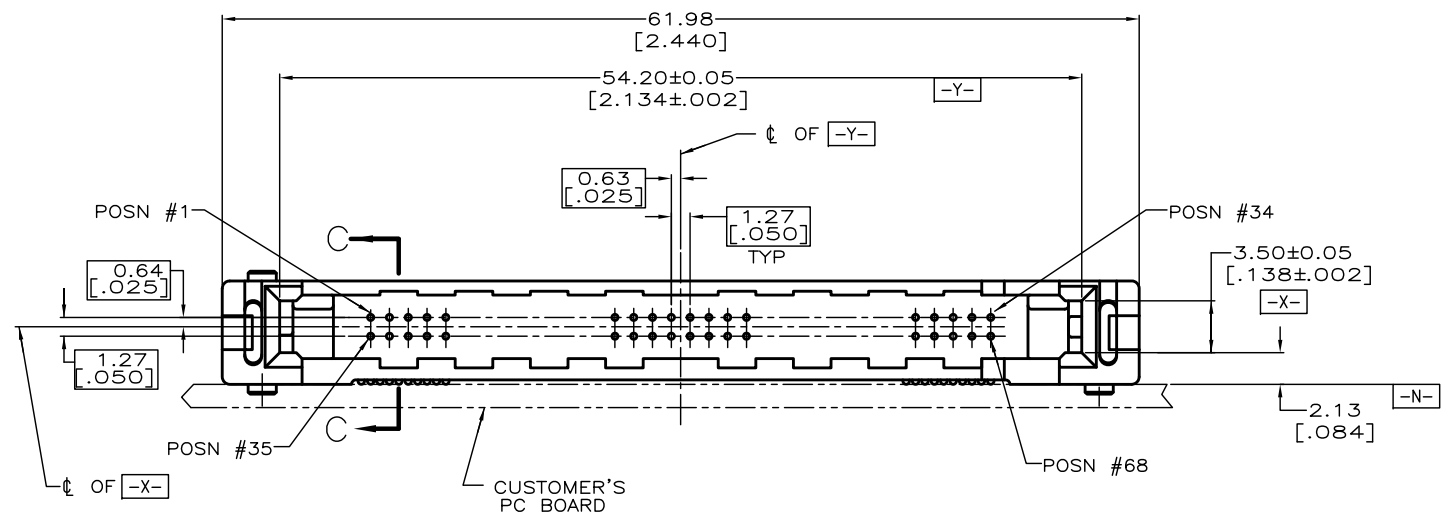
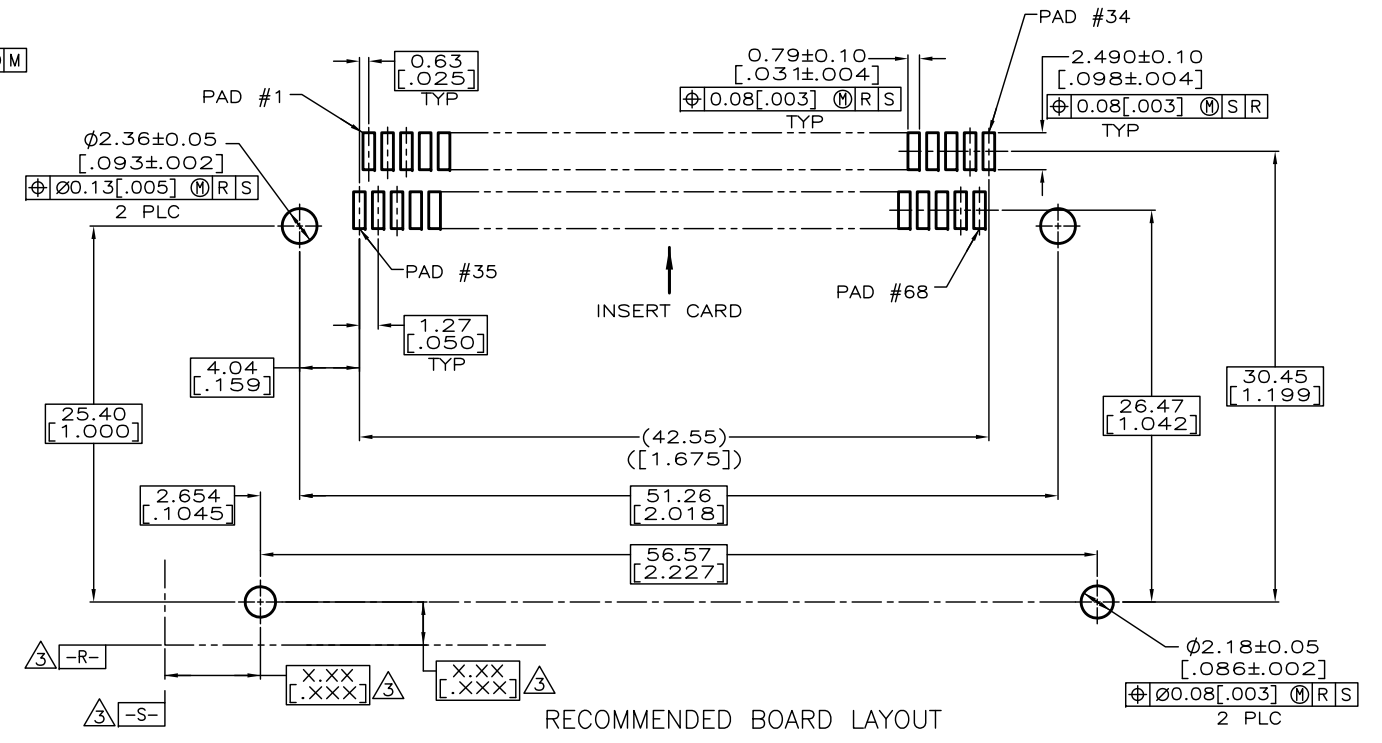
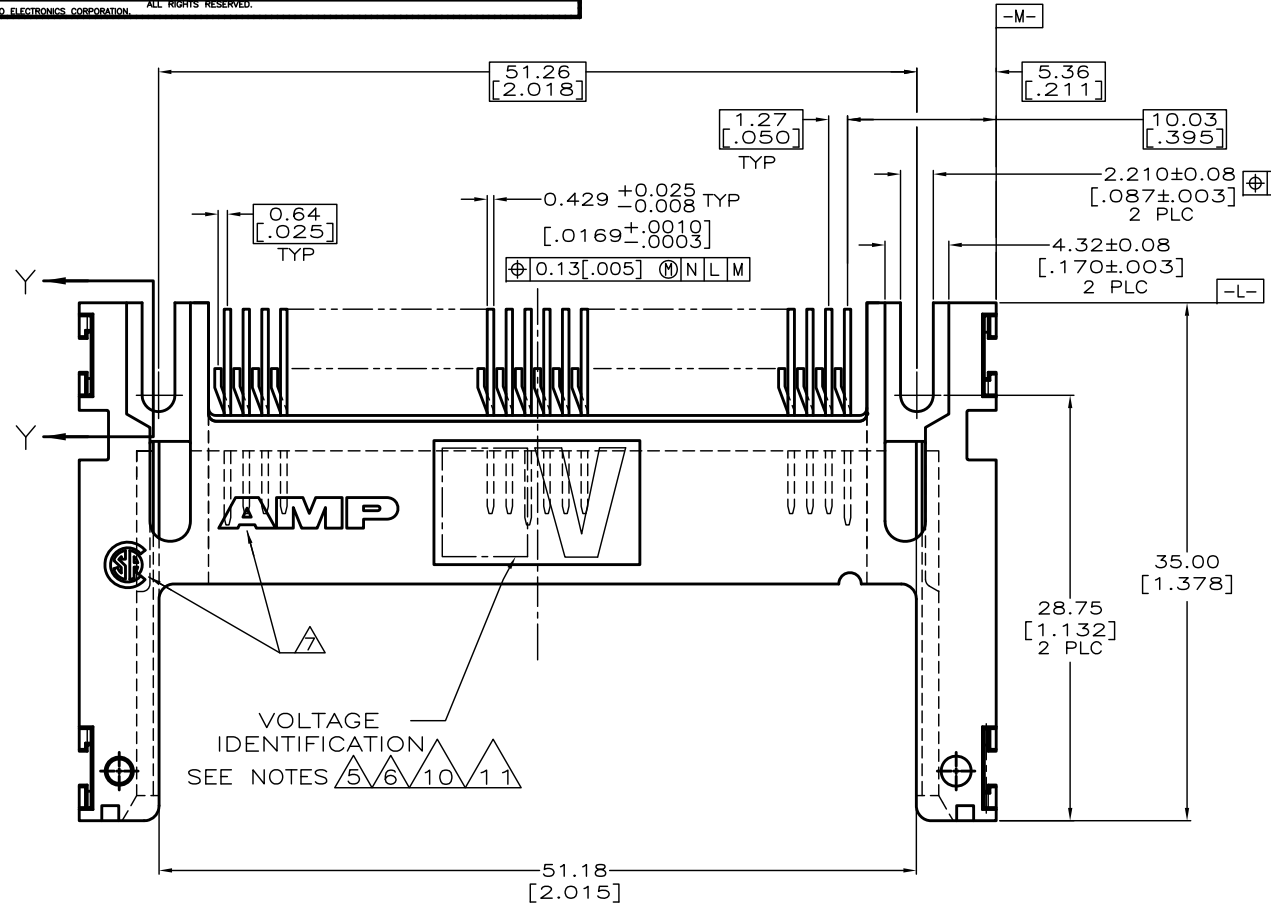
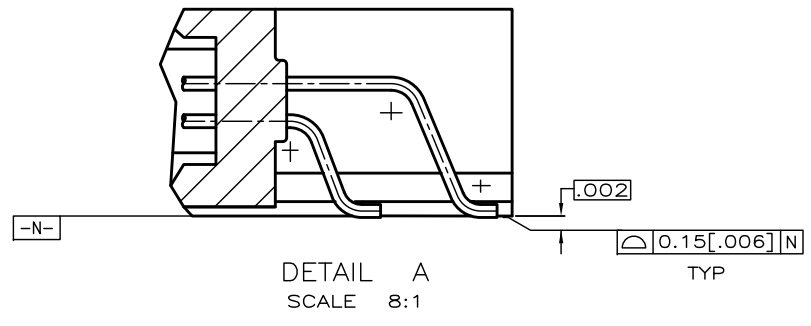


THIS DRAWING IS UNPUBLISHED. RELEASED FOR PUBLICATION
 BY TYCO ELECTRONICS CORPORATION. ALL RIGHTS RESERVED.

REV	DATE	BY	CHK	APP'D
A	26MAR'13	BW	HK	



- 1 PIN: 0.00076[.000030] MINIMUM GOLD IN CONTACT AREA, 0.00381[.000150] MIN TIN ON SOLDER TAILS, ALL OVER 0.00127[.000050] MINIMUM NICKEL
- 2. CUSTOMER TO PROVIDE CARD GUIDANCE SYSTEM
- 3 DATUMS AND BASIC DIMENSIONS ESTABLISHED BY CUSTOMER
- 4. CONNECTOR REQUIRES USE OF 2 - SIZE 2M SCREWS FOR FASTENING TO PRINTED CIRCUIT BOARD
- 5 ASSEMBLY KEYED FOR 5 VOLT CARDS
- 6 ASSEMBLY KEYED FOR LOW VOLT CARDS (3.3V)
- 7 RECESSED AMP AND CSA LOGOS LOCATED ON BOTH SIDES OF HOUSING.
- 8 PACKAGE IN TRAYS, 9 X 17 INCH APPROXIMATE SIZE.
- 9 PACKAGE IN TRAYS, 9 X 12 INCH APPROXIMATE SIZE.
- 10 NO VOLTAGE IDENTIFICATION ON 5535651-5 KEYED FOR 5V CARDS.
- 11 NO VOLTAGE IDENTIFICATION ON 5535651-6. KEYED FOR LV CARDS.
- 12 HOUSING: LPC COLOR: BLACK PIN: BRASS.



REV	DESCRIPTION	DATE	BY	CHK	APP'D
1	TAPE AND REEL	1,17,34	ALL OTHER PINS	36,67	5535651-6
2	TAPE AND REEL	1,17,34	ALL OTHER PINS	36,67	5535651-5
3	TRAYS	1,17,34	ALL OTHER PINS	36,67	5535651-4
4	TAPE AND REEL	1,17,34	ALL OTHER PINS	36,67	5535651-3
5	TRAYS	1,17,34	ALL OTHER PINS	36,67	5535651-2
6	TRAYS	1,17,34	ALL OTHER PINS	36,67	5535651-1
VOLTAGE KEYING & IDENTIFICATION		5.0 [1.97]	4.25 [1.167]	3.5 [1.138]	PART NUMBER
		"L" (PIN LENGTH) AND LOCATION			

THIS DRAWING IS A CONTROLLED DOCUMENT.

DATE: 03-23-05
 BY: L. VARELA - DOCKS
 CHK: D.L. GORENC
 APP'D: M. WALMSLEY

TYCO ELECTRONICS CORPORATION
 HARRISBURG, PA 17105-3608

PIN HEADER ASSY, 68 POSN, TOP BOARD MTG, SURFACE MT, AMP MEMORY CARD

WEIGHT: 6.5 GRAMS
 SIZE: A1
 CASE CODE: 00779
 DRAWING NO: 5535651

MATERIAL: 12
 FINISH: 1

CUSTOMER DRAWING

SCALE: 4:1 SHEET 1 OF 1 REV A

**COPYRIGHT 2005
 TYCO ELECTRONICS CORP
 ALL RIGHTS RESERVED**

13 OBSOLETE PARTS: OBSOLETE CIS STREAMLINING PER D.RENAUD/D.SINISI