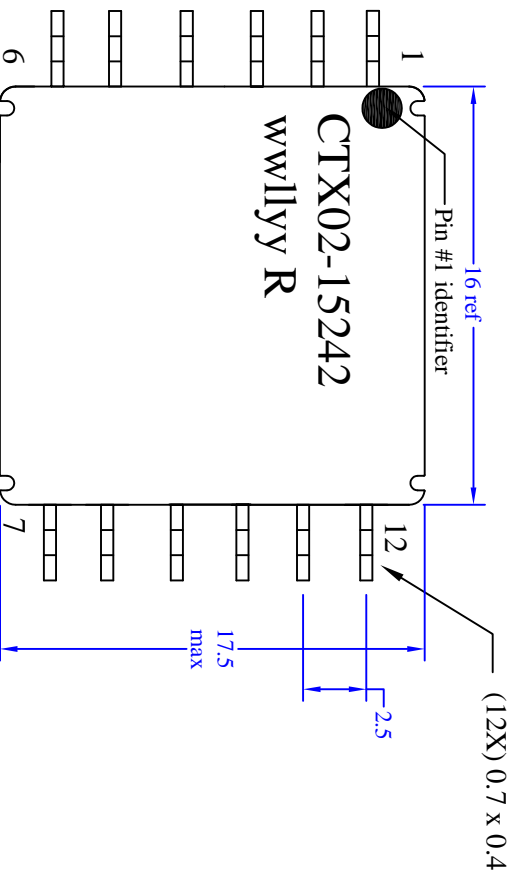
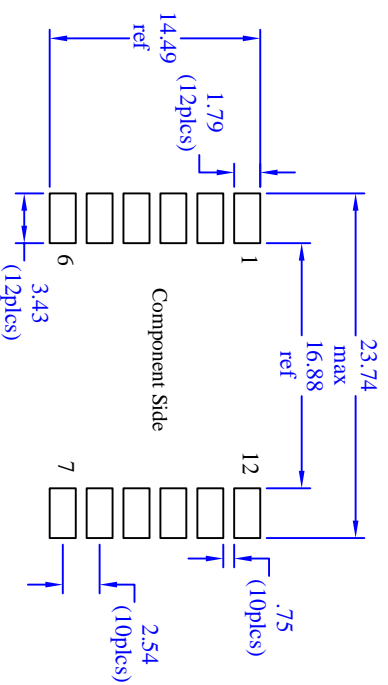


TOP VIEW



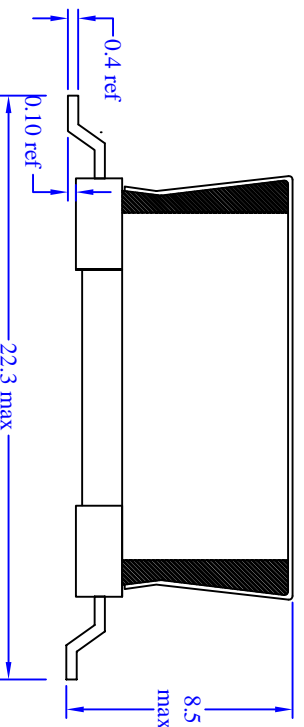
RECOMMENDED PCB LAYOUT



ELECTRICAL CHARACTERISTICS

- OCL @ 20KHz, 0.25Vrms, 0.0Ade pins (2 - 4): 82.5 - 111.7 uH.
- OCL @ 20KHz, 0.25Vrms, 1.20Ade pins (2 - 4): 76.7 uH min.
- DCR @ 20°C pins (2 - 4): 0.232 Ohm max
- DCR @ 20°C pins (11 - 9), 13.0 mOhms max.
- DCR @ 20°C pins (12 - 10), 13.0 mOhms max.
- DCR @ 20°C pins (1 - 6), 0.376 Ohm max.
- Hipot @ 1800Vdc for 1 second. Pins (1 & 2) to pins (11 & 12), also windings to core
- Hipot @ 300Vrms for 1 second. Pin 2 to pin 6.
- Turns ratio: Pins (2 - 4) : (11, 12 - 9, 10) : (1 - 6), 1:0.118 : 0.471 ± 3%

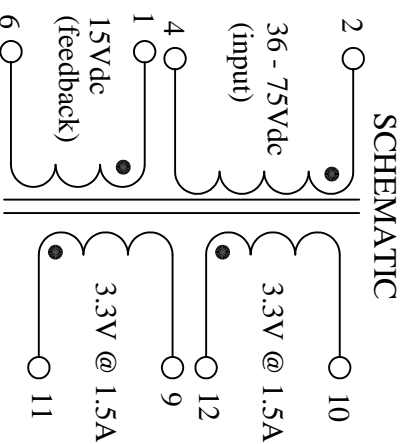
FRONT VIEW



22.3 max

Notes:

- 1) All dimensions are in millimeters unless otherwise specified.
- 2) Tolerances are +/-0.25mm unless stated otherwise.
- 3) All soldering surfaces to be coplanar within 0.1524 millimeters.
- 4) Cores to be wrapped with 2 layers of epoxy tape.
- 4) wwlllyy = (Date Code) R= (Revision Level)
- 5) PCB tolerances are +/- 0.1 unless stated otherwise.
- 6) RoHS compliant.



Cooper Bussmann

1225 Broken Sound Parkway NW Suite F, Boca Raton, FL 33487

Transformer, continuous mode flyback
36 - 72Vdc (input) : 3.3Vdc @ 3.0Ade, & 15Vdc @
200mA

275KHz, 100uH @ 1.18Adc.

EFD15, 12pin, Gull Wing, Horizontal, SMT

Size Drawing Number: CTX02-15242-R

A Revision Level: E Sheet 3 of 6